



From lab to production,
providing a window into the process



PT303 Pressure Transmitter

TROUBLE FREE OPERATION

Description

Dynisco's PT303 pressure transmitter is designed for gas turbine pressure applications in hazardous locations. They heavy duty construction and wide pressure ranges offer trouble-free operation and flexibility to meet your requirement.

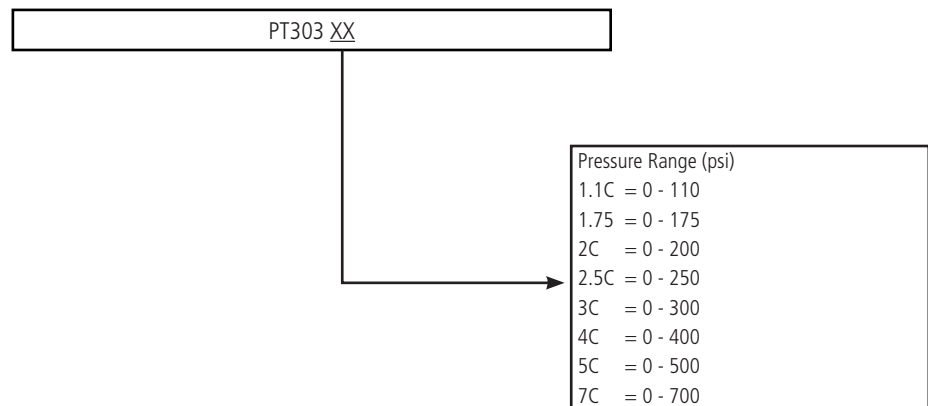
Features

- Accuracy $\pm 0.25\%$
- Stainless steel construction
- Heavy duty construction
- Ranges 0-110 PSI through 0-750 PSI
- Advanced electronic design

Performance Characteristics	
Pressure Range (psi):	0-110 through 0-700
Accuracy:	±0.25% FSO including linearity, hysteresis and repeatability
Full Scale Output:	4-wire 0-5 Vdc
Electrical Characteristics	
Excitation:	±12 Vdc for FM approved explosion proof units 28 Vdc max.
Electrical Connections	
1/2" NPT(M) Conduit connection, four conductor #22 AWG 72" in length	
Color:	Function:
Red	+ Signal
Black	- Signal
White	+ Excitation
Green	- Excitation

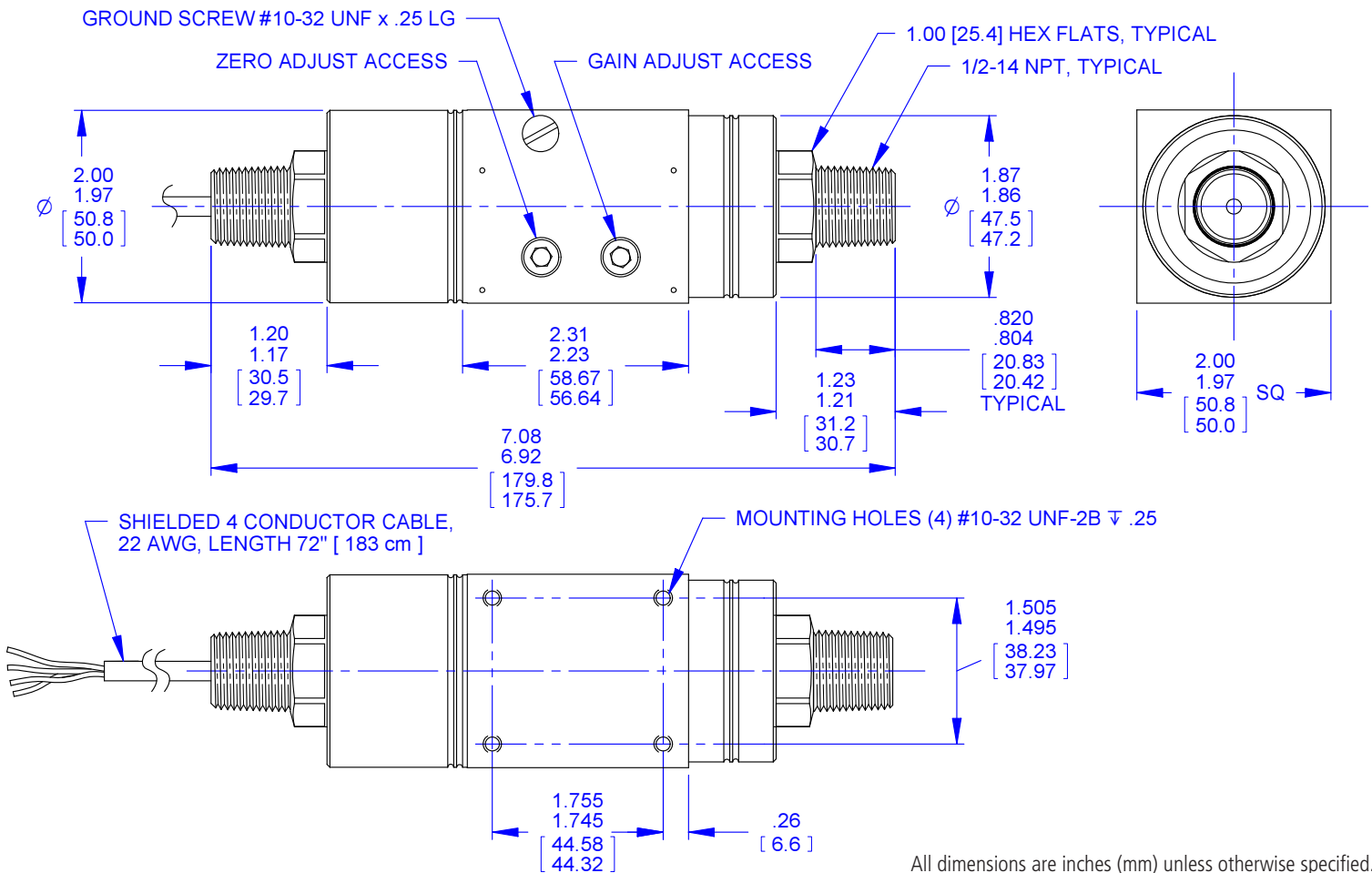
Temperature Characteristics	
Operating Range:	+170°F (76.7°C) maximum
Temperature Effect On Zero:	Range dependent
Temperature Effect On Span:	Range dependent
Mechanical Characteristics	
Pressure Connections:	1/2" NPT male thread
Proof Pressure:	2 x rated pressure
Materials Of Construction:	Stainless steel
Housing:	303, 304 SST
Wetted Parts:	15-5 SS
Weight:	3.15 lbs
FM Approvals:	Class 1, Division 1 Groups A, B, C & D

Ordering Guide for PT303 Pressure Transmitter



For additional options please consult factory.

Dimensions



All dimensions are inches (mm) unless otherwise specified.



All dimensions are inches (mm) unless otherwise specified.
 ©2016. Dynisco reserves the right to make changes without notice.
 Refer to www.dynisco.com for access to Operator Manual and other support documentation.
 DSPT303
 Rev: 0117

www.dynisco.com

Dynisco

38 Forge Parkway
 Franklin, MA 02038
 USA

Hotline 1-800-Dynisco
www.dynisco.com
 Phone +1 508 541 9400
 Fax +1 508 541 6206
 Email infoinst@dynisco.com

Dynisco Europe, GmbH

Pfaffenstr. 21 Phone +49 7131 297 0
 74078 Hellbronn Fax +49 7131 297 166
 Germany Email dyniscoeurope@dynisco.com

Dynisco Shanghai

Building 7A, No. 568
 Longpan Rd Malu
 Jiading, 201801 China

Phone +86 21 34074072-819
 Toll Free +86 400 728 9117
 Fax +86 21 34074025