



From lab to production,  
providing a window into the process



# PT375 Flush Diaphragm High Pressure Transducer

*IDEAL FOR SLURRIES AND VISCOUS*

## Description

The Dynisco PT375 pressure transmitter is designed for applications requiring zero volume pressure port, fast response time, and stringent cleanability standards. The metal-t0-metal high pressure seal offers reliable pressure measurements of slurries, viscous liquids and other media that can be homogenized.

## Features

- 3 mv/v full scale output
- Accuracy  $\pm 0.50\%$
- Pressure ranges 0-1,000 PSI to 0-30,000 PSI
- Inconel 718 pressure fitting
- Zero volume pressure port
- Meets cleanability standards
- Metal-to-metal pressure seal
- Internal 80% shunt calibration

**Performance Characteristics**

<b>Pressure Range (psi):</b>	0 - 1,000, 0 - 5,000, 0 - 10,000, 0 - 15,000, 0 - 20,000, 0 - 30,000
<b>Accuracy:</b>	±0.5% FSO including linearity, hysteresis, and repeatability

**Electrical Characteristics**

<b>Input Resistance:</b>	400 Ohms ±20%
<b>Output Resistance:</b>	370 Ohms ±10%
<b>Internal Shunt Calibration:</b>	80% FSO ±1%
<b>Excitation:</b>	10 Vdc recommended, 15 Vdc maximum
<b>Full Scale Output:</b>	3 mV/V ±2%
<b>Zero Balance:</b>	±2% FSO
<b>Insulation Resistance:</b>	1,000 megohms @ 50 Vdc

**Temperature Characteristics**

<b>Operating Range:</b>	-65°F to +250°F (-54°C to +120°C)
<b>Compensated Range</b>	0°F to 250°F (-18 to +120°C)
<b>Temperature Effect On Zero:</b>	±0.01% full scale/°F (0.018% full scale/°C)
<b>Temperature Effect On Span:</b>	±0.02% full scale/°F (±0.036% full scale/°C)

**Mechanical Characteristics**

<b>Safe Overpressure:</b>	1000 - 15,000 psi: 2 x rated pressure 20,000 - 30,000 psi: 1.3 x rated pressure
<b>Burst Pressure:</b>	1000 - 15,000 psi: 3 x rated pressure 20,000 - 30,000 psi: 2 x rated pressure
<b>Wetted Material:</b>	Inconel 718
<b>Cover Material:</b>	303, 304 stainless steel
<b>Weight:</b>	5 ounces
<b>Mounting Torque:</b>	1000 - 10,000 psi: 50 ft./lb. 15,000 - 30,000 psi: 100 ft./lb.

**Ordering Guide for PT375 Pressure Transducer**

PT375 X XX

Electrical Termination  
1 = Bendix PT1H - 10 - 6P 6 - pin connector

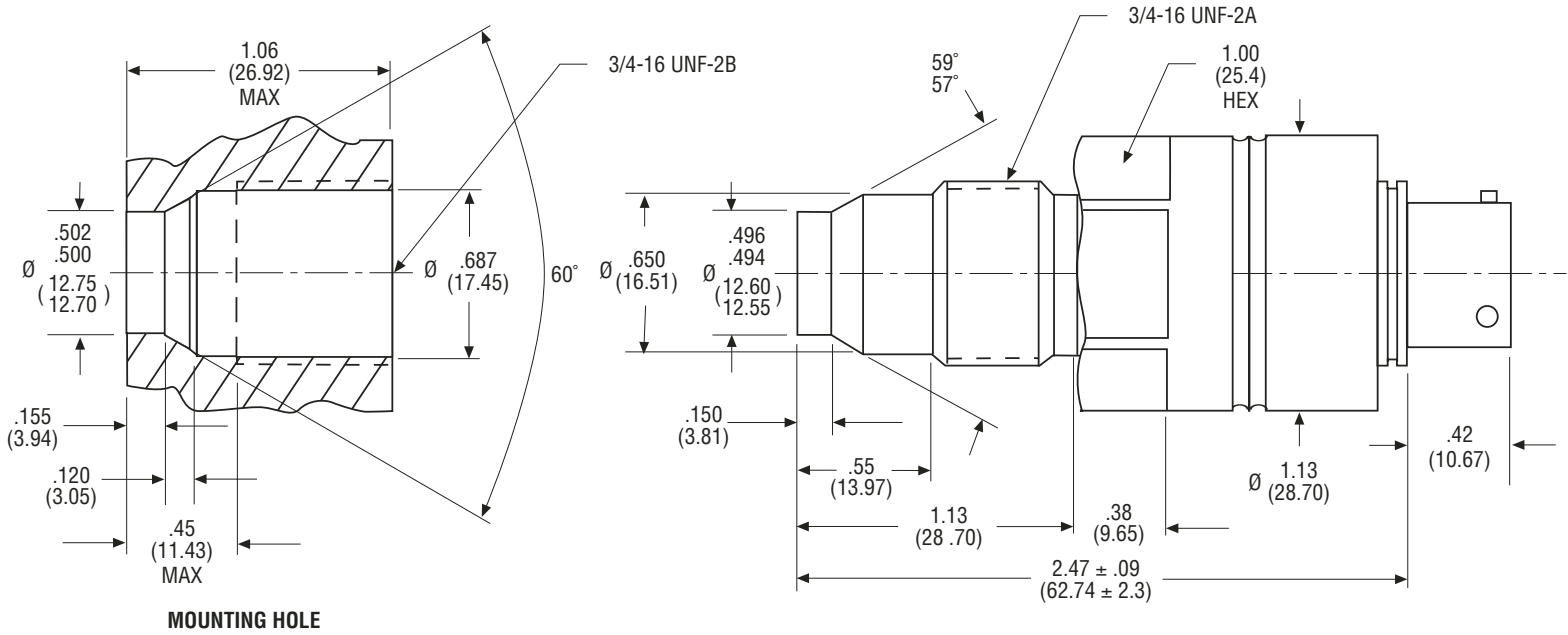
Pressure Range (psi)  
1M = 0 - 1,000  
5M = 0 - 5,000  
10M = 0 - 10,000  
15M = 0 - 15,000  
20M = 0 - 20,000  
30M = 0 - 30,000

**Connector Wiring**

Pin  
A = Signal+  
B = Signal-  
C = Excitation+  
D = Excitation-  
E, F = Int. Shunt Cal.

Mating connector PN/711600 or 6 - pin cable assembly sold separately. For additional options please consult factory.

## Dimensions



All dimensions are inches (mm) unless otherwise specified.



All dimensions are inches (mm) unless otherwise specified.  
 ©2016. Dynisco reserves the right to make changes without notice.  
 Refer to [www.dynisco.com](http://www.dynisco.com) for access to Operator Manual and other support documentation.  
 DSPT375  
 Rev: 0117

[www.dynisco.com](http://www.dynisco.com)

**Dynisco**  
 38 Forge Parkway  
 Franklin, MA 02038  
 USA

Hotline 1-800-Dynisco  
[www.dynisco.com](http://www.dynisco.com)  
 Phone +1 508 541 9400  
 Fax +1 508 541 6206  
 Email [infoinst@dynisco.com](mailto:infoinst@dynisco.com)

**Dynisco Europe, GmbH**  
 Pfaffenstr. 21 Phone +49 7131 297 0  
 74078 Hellbronn Fax +49 7131 297 166  
 Germany Email [dyniscoeurope@dynisco.com](mailto:dyniscoeurope@dynisco.com)

**Dynisco Shanghai**  
 Building 7A, No. 568 Phone +86 21 34074072-819  
 Longpan Rd Malu Toll Free +86 400 728 9117  
 Jiading, 201801 China Fax +86 21 34074025