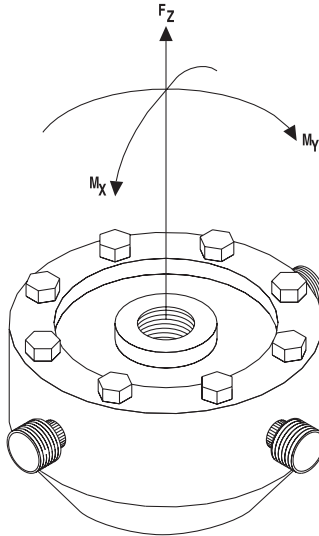


5200 MULTI-AXIS LOAD CELL (U.S. & METRIC)

FEATURES & BENEFITS

- Simultaneously measures thrust and moment perpendicular to the thrust axis
- Thrust axis functions to the same specifications as a Model 1200
- Thrust stiffness and moment stiffness are both very high because of the low profile construction



PERFORMANCE PARAMETERS

Model 5200	RATED THRUST		RATED MOMENT	
	U.S. (lbf)	Metric (kN)	U.S. (lbf-in)	Metric (Nm)
5210XYZ-1K	1K	4.45	400	45.2
5210XYZ-2K	2K	8.9	800	90.4
5210XYZ-5K	5K	22.2	1K	113
5210XYZ-10K	10K	44.5	2K	226
5220XYZ-25K	25K	111	10K	1.13K
5220XYZ-50K	50K	222	20K	2.26K

STANDARD CONFIGURATION

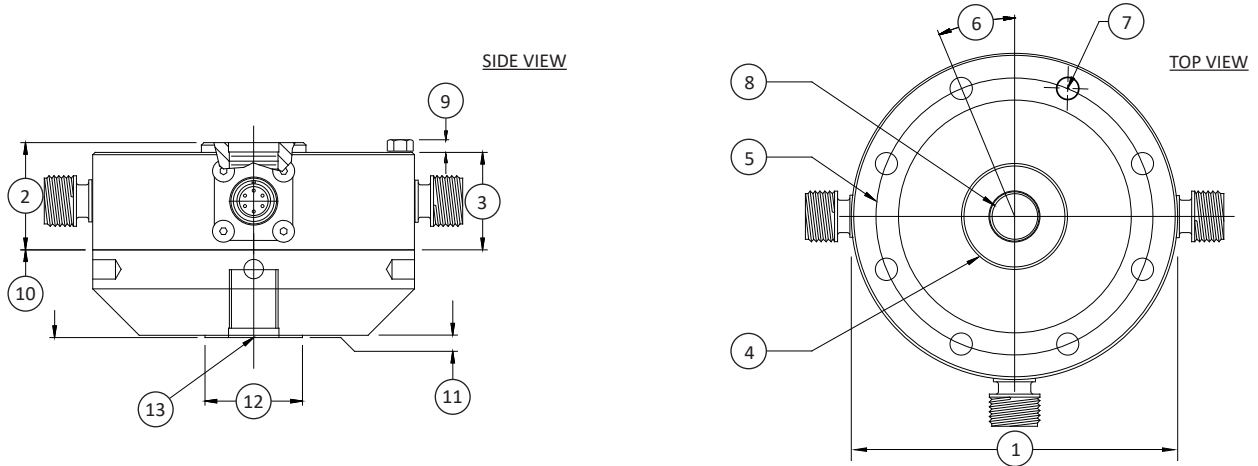


Model 5200 (shown)

SPECIFICATIONS

Static Error Band – Thrust	1K-10K	±0.04
	25K & 50K	±0.05
Deflection – Thrust – FS	in	0.001 to 0.002
	mm	0.03 to 0.05
Calibration – Thrust	Same as 1200 Series Universal	
Deflection – Moment – FS / sec	From 20 (depending on range)	
Output - Moment – mV/V	Approx. ½ of rated thrust output	
Cross-Talk - Moment – %	1 or less	
Calibration Uncertainty – Moment – %	±1	

5200 MULTI-AXIS LOAD CELL (U.S. & METRIC)



DIMENSIONS

See Drawing	MODEL			
	5210		5220	
	CAPACITY			
	U.S. (lbf)	Metric (kN)	U.S. (lbf)	Metric (kN)
	1K, 2K, 5K, 10K,	1.5, 2.5, 5, 10, 25, 50	25K, 50K	100, 250
	in	mm	in	mm
(1)	Ø4.13	Ø104.8	Ø6.06	Ø153.9
(2)	1.38	34.9	1.75	44.5
(3)	1.25	31.7	1.63	41.4
(4)	Ø1.34	Ø34.0	Ø2.65	Ø67.3
(5)	Ø3.50	Ø88.9	Ø5.13	Ø130.3
(6)	22.5°	22.5°	15.0°	15.0°
(7)	Ø0.28	Ø7.1	Ø0.41	Ø10.4
	8 places		12 places	
(8)	5/8-18 UNF-3B \pm 1.12	M16 x 2-4H \pm 28.4	1 ¼-12 UNF-3B \pm 1.40	M33 x 2-4H \pm 35.6
(9)	0.20	5.10	0.30	7.60
(10)	1.13	28.6	1.75	44.5
(11)	0.03	0.8	0.03	0.8
(12)	Ø1.25	Ø31.8	Ø2.25	Ø57.2
(13)	5/8-18 UNF-3B \pm 0.87	M16 x 2-4H \pm 22.1	1 ¼-12 UNF-3B \pm 1.40	M33 x 2-4H \pm 35.6

* Metric dimensions and capacities are provided for conversion only. Standard product will be sold in lbf and U.S. dimensions. Metric capacities available upon special request and at an additional cost.