

SPX4222



Features

- HART™ digital communication
- Better than +/- 0.25% combined error
- 4 - 20 mA loop-powered output
- 0 - 250 to 0 -30,000 psi
- ATEX/Intrinsically Safe approved
- Meets PED and CE requirements

Benefits

- Configurable via handheld
- Precise repeatable pressure measurements
- Output supplied directly to DCS or PLC
- Customer defined pressure ranges
- Approved for hazardous environments
- Meets new EC requirements

Description

The SPX4222 is a smart 4 - 20 mA pressure transmitter designed for use in hazardous locations. These amplified transmitters eliminate the need for external signal conditioning. All models can interface directly with distributed control systems, PLCs, computers and similar high level control devices. Optional thermocouple or RTD configurations are available to provide melt temperature. The SPX4222S is ATEX/Intrinsically Safe approved for II 1 G 100a Eex ia IIC, Zones 0 and 1. The SPX4222 features a 1/2-20 UNF thread for installation in standard transducer mounting holes and can be supplied with a variety of electrical connections.

Specifications

PERFORMANCE CHARACTERISTICS

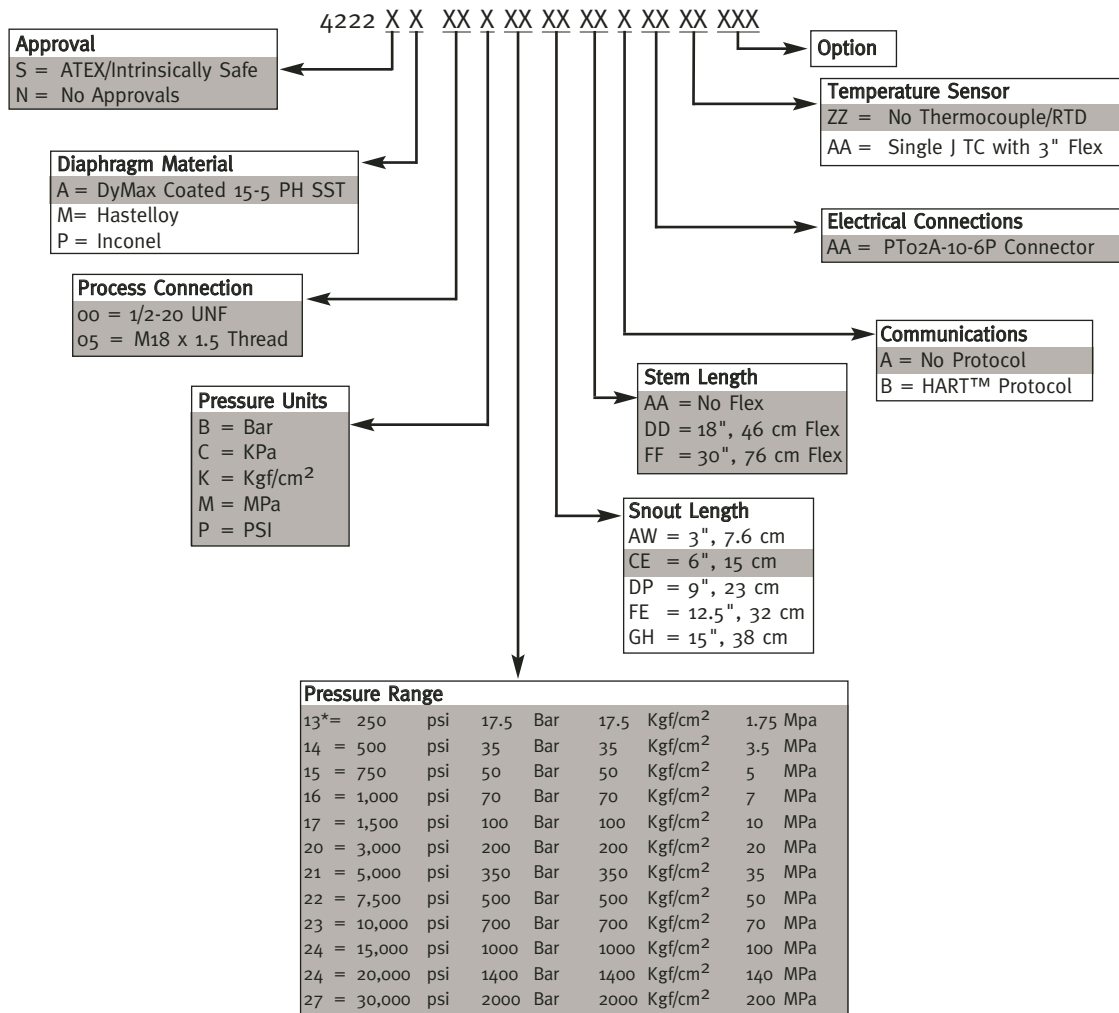
Output: 4 - 20 mA, with optional HART™
Input Voltage: 16 - 36 Vdc (Standard)
 16 - 30 Vdc (ATEX/Intrinsically Safe Applications)
Combined Error: +/- 0.25% FSO,
 +/- 0.5% FSO for ranges below 1,500 psi
 (Including Linearity, Repeatability & Hysteresis)
Repeatability: +/- 0.1%FSO
Rangability: 3:1 Turndown
Over Pressure: 2 X FSO or 35,000 psi, whichever is less
Zero Balance Adjustment Range: -40% to +10%;
 -80% to +20% for < 500 psi
Load Resistance: 500 Ω @ 26 Vdc, 1000 Ω @ 36 Vdc

TEMPERATURE & MECHANICAL CHARACTERISTICS

Max Diaphragm Temperature: 750°F (400°C)
Zero Shift (due to temperature change):
 15 psi/100°F Typical (27 psi/100°C)
Electronics Operating Temperature:
 -20° to 185°F (-29° to 85°C)
Effects over Compensated Temperature Range of
0° to 150°F (-18° to 65°C) - Zero & Span (each):
 0.01% FS/°F max (0.02% FS/°C max)
Mounting Torque: 500 inch/lbs. maximum
Standard Wetted Parts: Dymax® coated 15-5 PH SST



Ordering Guide



* Available in M18 x 1.5 Thread only

Shaded sections refer to standard configurations. Accuracy may be affected if non-standard configurations are used. For additional options please consult factory.

Dynisco LLC
38 Forge Parkway
Franklin, MA 02038 (USA)

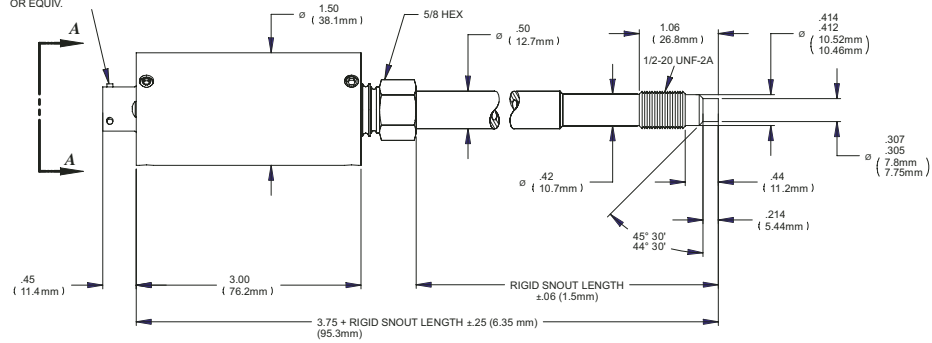
Phone +1 508 541 9400
Fax +1 508 541 6206
Email infoinst@dynisco.com

Hotline 1-800-Dynisco

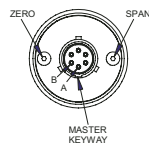
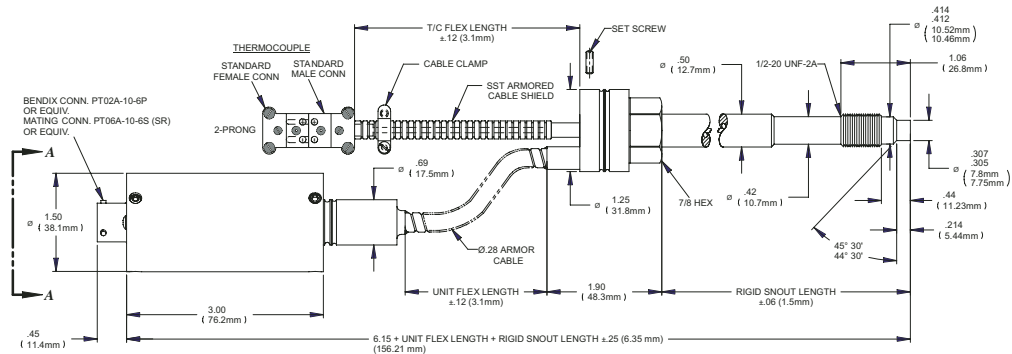
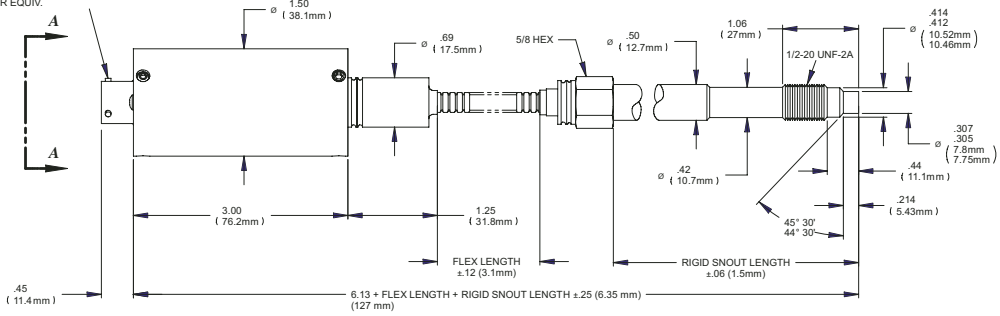
www.dynisco.com



BENDIX CONN. PT02A-10-6P
OR EQUIV.
MATING CONN. PT06A-10-6S (SR)
OR EQUIV.



BENDIX CONN. PT02A-10-6P
OR EQUIV.
MATING CONN. PT06A-10-6S (SR)
OR EQUIV.



All dimensions are Inches (mm). **VIEW A-A**



SPX2242



Features

- HART™ digital communication
- Better than $\pm 0.25\%$ combined error
- 4 - 20 mA loop-powered output
- 0 - 250 to 0 -30,000 psi
- Explosion Proof, Intrinsically Safe/ATEX approved
- Meets PED and CE requirements

Benefits

- Configurable via handheld
- Precise repeatable pressure measurements
- Output supplied directly to DCS or PLC
- Customer defined pressure ranges
- Approved for hazardous environments
- Meets new EC requirements

Description

The SPX2242 is a smart 4 - 20 mA pressure transmitter designed for use in hazardous locations. The SPX2242 is an all welded construction that features a 1/2-20 UNF thread for installation in standard transducer mounting holes. Optional thermocouple or RTD configurations are available to provide melt temperature. The SPX2242E has explosion proof approval for Class 1, Division I, Groups A, B, C & D. The explosion proof model employs a conduit fitting. The SPX2242S is approved for ATEX/Intrinsically Safe II 1 G 100a Eex ia IIC, Zone 0 and 1. The ATEX/Intrinsically safe models can be supplied with either a conduit fitting or a hermetically sealed 6 pin Bendix connector.

Specifications

PERFORMANCE CHARACTERISTICS

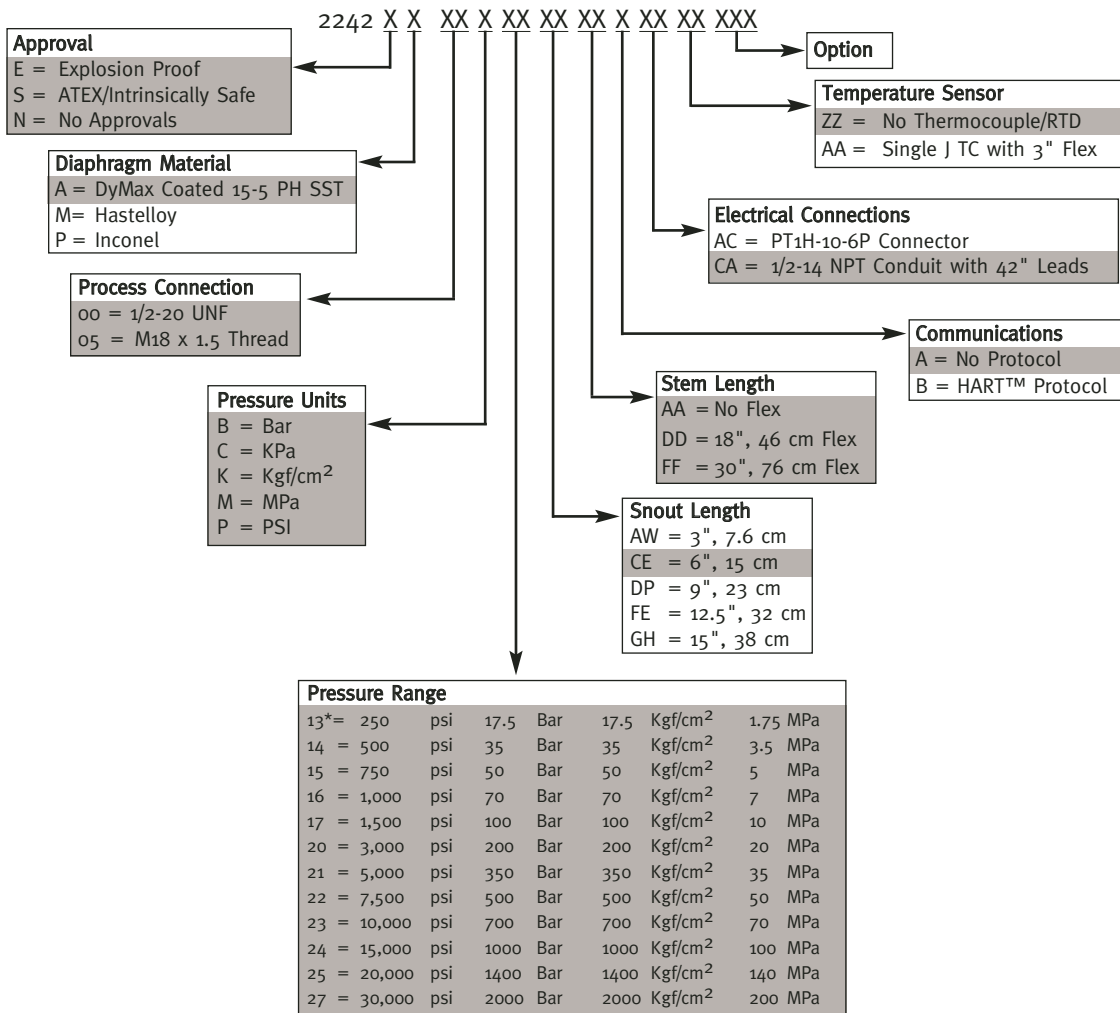
Output: 4 - 20 mA, with optional HART™
Input Voltage: 16 - 36 Vdc (Standard)
 16 - 30 Vdc (ATEX/Intrinsically Safe Applications)
Combined Error: $\pm 0.25\%$ FSO,
 $\pm 0.5\%$ FSO for ranges below 1,500 psi
 (Including Linearity, Repeatability & Hysteresis)
Repeatability: $\pm 0.1\%$ FSO
Repeatability: 3:1 Turndown
Over Pressure: 2 X FSO or 35,000 psi, whichever is less
Zero Balance Adjustment Range: -40% to +10%;
 -80% to +20% for < 500 psi
Load Resistance: 500 Ω @ 26 Vdc 1000 Ω @ 36 Vdc

TEMPERATURE & MECHANICAL CHARACTERISTICS

Max Diaphragm Temperature: 750°F (400°C)
Zero Shift (due to temperature change):
 15 psi/100°F Typical (27 psi/100°C)
Electronics Operating Temperature:
 -20° to 185°F (-29° to 85°C)
**Effects over Compensated Temperature Range of
 0° to 150°F (-18° to 65°C) - Zero & Span (each):**
 0.01% FS/°F max (0.02% FS/°C max)
Mounting Torque: 500 inch/lbs. maximum
Standard Wetted Parts: Dymax® coated 15-5 PH SST



Ordering Guide



* Available in M18 x 1.5 Thread only

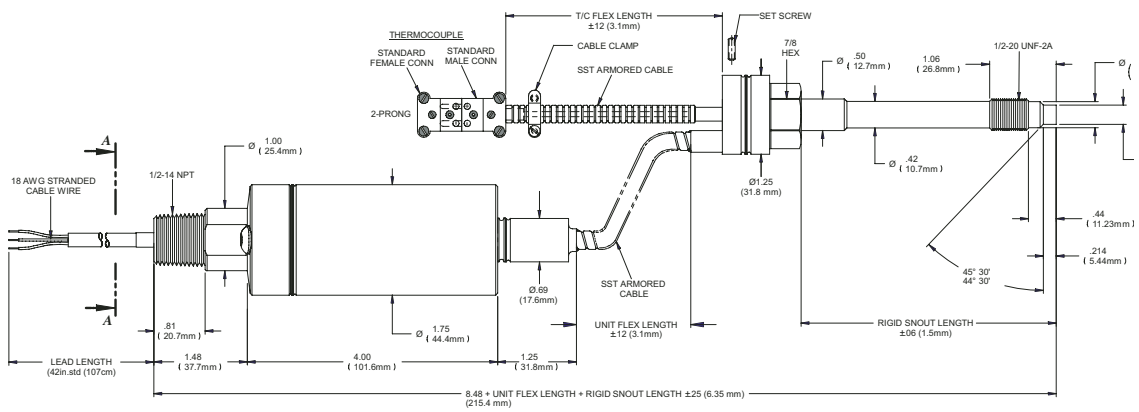
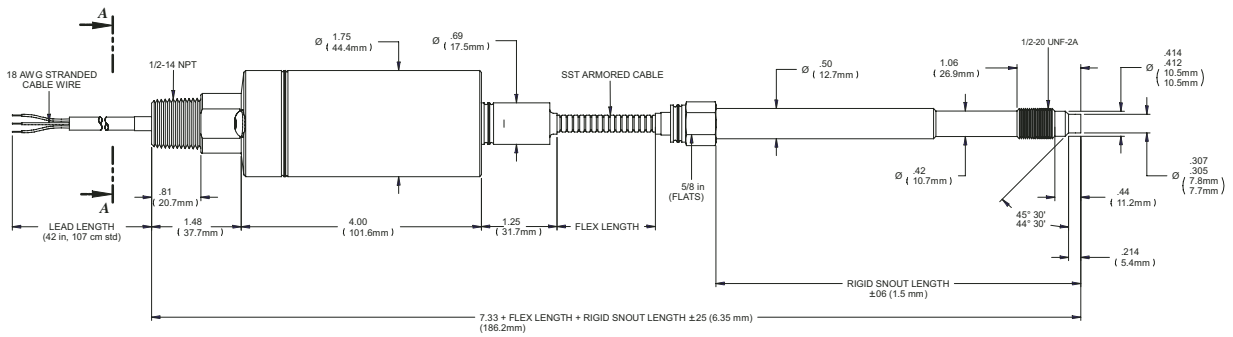
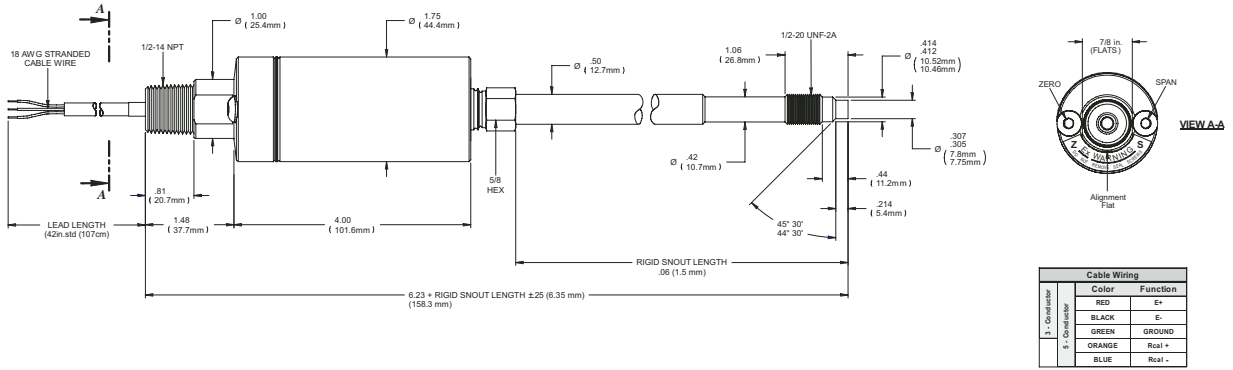
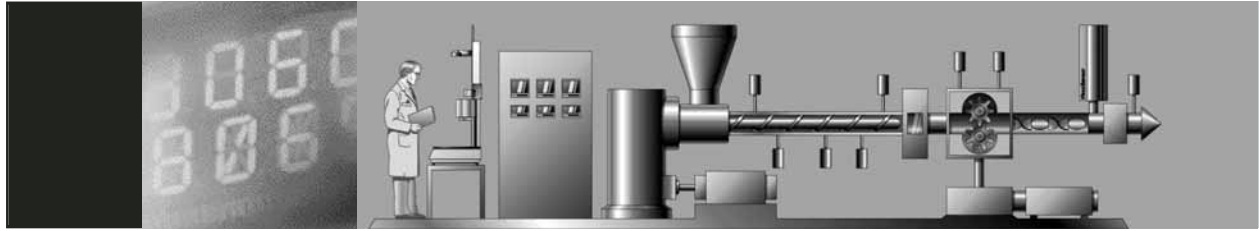
Shaded sections refer to standard configurations. Accuracy may be affected if non-standard configurations are used. For additional options please consult factory.

Dynisco LLC
38 Forge Parkway
Franklin, MA 02038 (USA)

Phone +1 508 541 9400
Fax +1 508 541 6206
Email infoinst@dynisco.com

Hotline 1-800-Dynisco

www.dynisco.com



All dimensions are in inches (mm).