



Features

- HART™ digital communication
- Better than +/- 0.25% combined error
- 4 - 20 mA loop-powered output
- 0 - 500 to 0 -30,000 psi
- Explosion Proof, ATEX/Intrinsically Safe approved
- Meets PED and CE requirements

Benefits

- Configurable via handheld
- Precise repeatable pressure measurements
- Output supplied directly to DCS or PLC
- Customer defined pressure ranges
- Approved for hazardous environments
- Meets new EC requirements

Description

The SPX2243 is a smart 4 - 20 mA pressure transmitter designed for use in hazardous locations. The SPX2243 is an all welded construction that features a small diaphragm and a mounting flange for easy installation. Optional thermocouple or RTD configurations are available to provide melt temperature. The SPX2243E has explosion proof approval for Class 1, Division I, Groups A, B, C & D. The explosion proof model employs a conduit fitting. The SPX2243S is ATEX/Intrinsically Safe approved for II 1 G 100a Eex ia IIC, Zones 0 and 1. The intrinsically safe and ATEX models can be supplied with either a conduit fitting or a hermetic 6 pin Bendix connector.

Specifications

PERFORMANCE CHARACTERISTICS

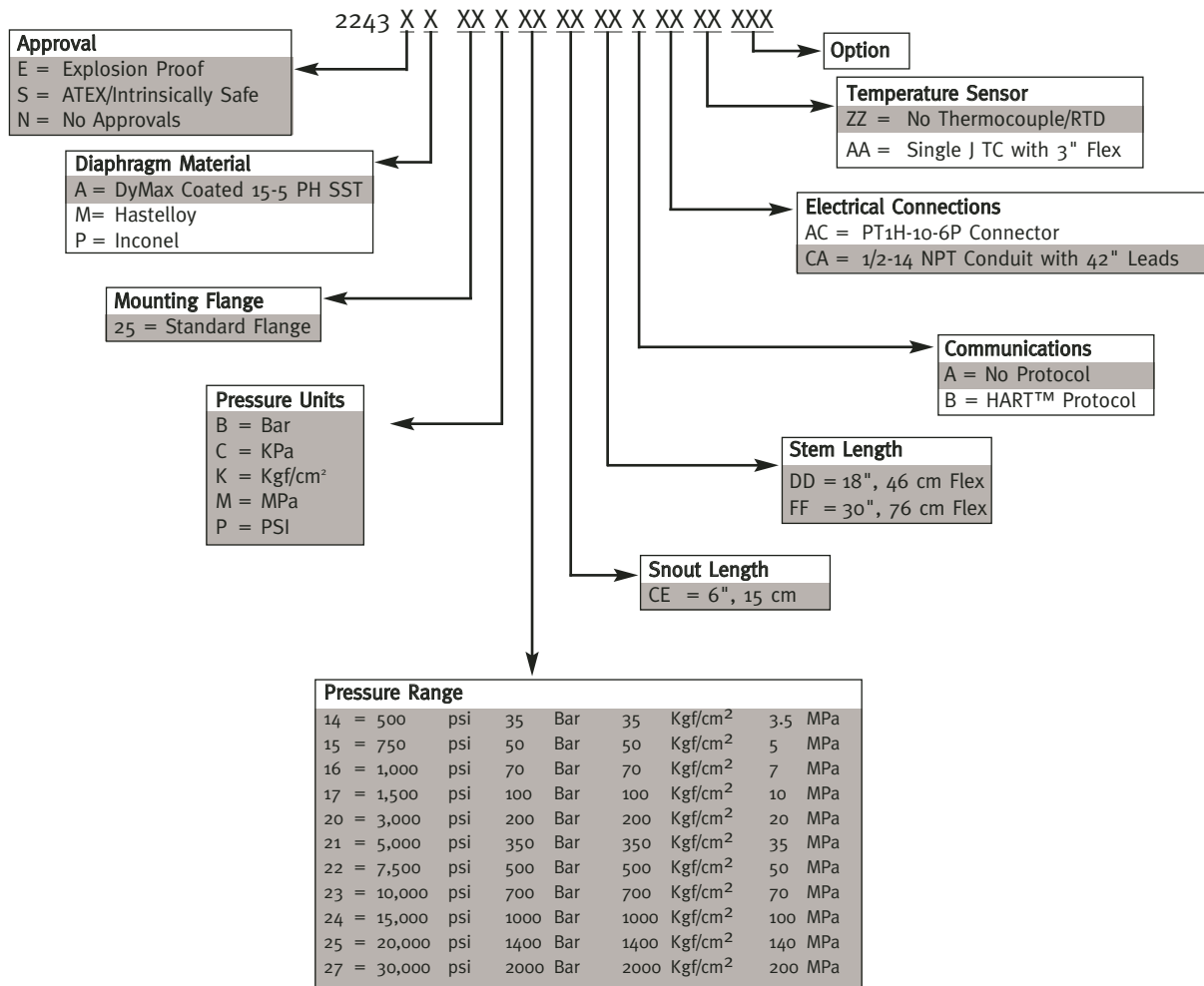
Output: 4 - 20 mA, with optional HART™
Input Voltage: 16 - 36 Vdc (Standard)
 16 - 30 Vdc (ATEX/Intrinsically Safe Applications)
Combined Error: +/- 0.25% FSO,
 +/- 0.5% for ranges below 1,500 psi
 (Including Linearity, Repeatability & Hysteresis)
Repeatability: +/- 0.1%FSO
Rangability: 3:1 Turndown
Over Pressure: 2 X FSO or 35,000 psi, whichever is less
Zero Balance Adjustment Range: -40% to +10%;
 -80% to +20% for < 500 psi
Load Resistance: 500 Ω @26 Vdc, 1000 Ω @ 36 Vdc

TEMPERATURE & MECHANICAL CHARACTERISTICS

Max Diaphragm Temperature: 750°F (400°C)
Zero Shift (due to temperature change):
 15 psi/100°F Typical (27 psi/100°C)
Electronics Operating Temperature:
 -20° to 185°F (-29° to 85°C)
Effects over Compensated Temperature Range of
0° to 150°F (-18° to 65°C) - Zero & Span (each):
 0.01% FS/°F max (0.02% FS/°C max)
Mounting Bolt Torque: 40 inch/lbs. maximum
Standard Wetted Parts: Dymax® coated 15-5 PH SST



Ordering Guide



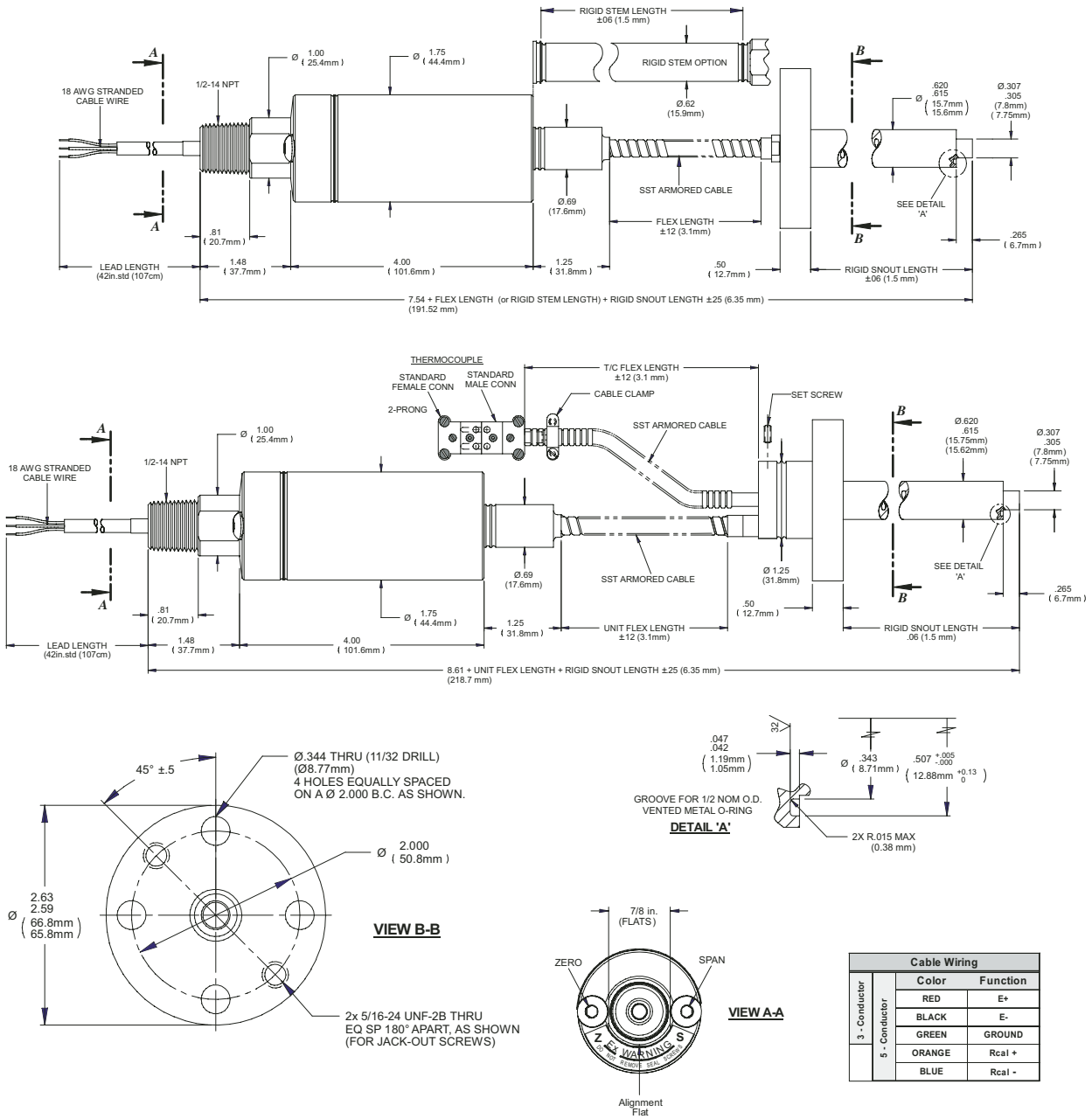
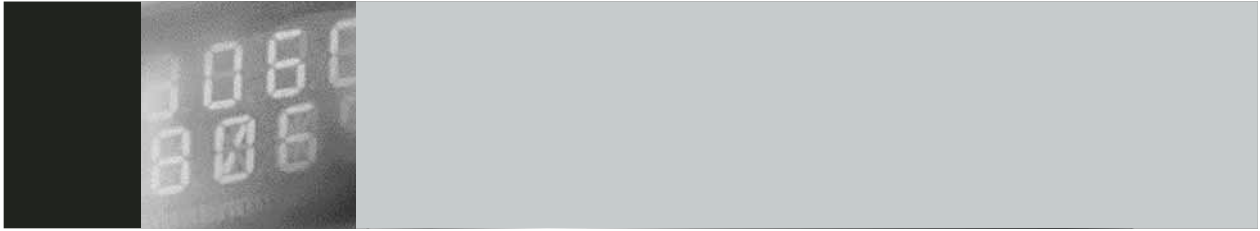
Shaded sections refer to standard configurations. Accuracy may be affected if non-standard configurations are used. For additional options please consult factory.

Dynisco LLC
38 Forge Parkway
Franklin, MA 02038 (USA)

Phone +1 508 541 9400
Fax +1 508 541 6206
Email infoinst@dynisco.com

Hotline 1-800-Dynisco

www.dynisco.com



All dimensions are in inches (mm).