

# Interface



The Leader in Force & Torque Measurement

**LOW PROFILE™ (PANCAKE STYLE)**

N METRIC SERIES	lbf ENGLISH SERIES	LOW PROFILE™ (PANCAKE STYLE)															
		Pg. 10 1000 Fatigue Rated	Pg. 14 1100 Ultra Precision	Pg. 18 1200 Standard	Pg. 28 1200 Flange Style	Pg. 30 1216 Axial Torsion	Pg. 32 1500 Low Capacity	Pg. 33 1516 Axial Torsion	Pg. 34 1600 Calibration	Pg. 38 1606 Calibration	Pg. 27 1700 Flange Style	Pg. 40 1800 Calibration	Pg. 42 2101 Dual Range	Pg. 44 2400 Stainless	Pg. 31 2816 Axial Torsion	Pg. 50 3200 Stainless	Pg. 54 3400 Coil Tubing
125	25						•										
250	50						•		•								
500	100						•	•	•				•				
1,000	200						•		•								
1,250	250	•				•			•				•				
1,500	300		•	•		•	•		•				•				
2,500	500	•	•	•		•			•				•				
3,300	750																
5,000	1,000	•	•	•		•			•			•	•				•
10,000	2,000		•	•		•			•		•		•				•
12,500	2,500	•				•									•		
13,000	3,000		•	•										•			
25,000	5,000	•	•	•					•		•	•	•	•	•		•
50,000	10,000		•	•					•		•	•	•	•	•		•
50,000	12,500	•								•				•			
90,000	20,000										•		•			•	
110,000	25,000	•	•	•					•			•			•	•	•
130,000	30,000				•										•	•	
250,000	50,000	•	•	•	•				•		•	•			•	•	•
450,000	100,000	•	•	•	•				•			•			•		
600,000	135,000	•															
900,000	200,000	•	•	•	•				•			•			•		
1,200,000	270,000			•	•												
1,800,000	400,000	•		•													
2,700,000	600,000			•													
4,500,000	1,000,000	•		•													
9,000,000	2,000,000			•													

• = Standard items, most are in stock. Gray box = Available.

## MINI TENSION/COMPRESSION, MINI BEAMS & MISC...

METRIC SERIES	N ENGLISH SERIES	MINI TENSION/COMPRESSION, MINI BEAMS & MISC...																
		SM Standard Pg. 56	SSM Sealed Pg. 57	ULC Pg. 58	SMT Overload Pg. 59	SMA Mini S-Type Pg. 60	SML Low Height Pg. 61	WMC Small Diameter Pg. 62	REC Rod End Pg. 65	MB Mini Pg. 72	MBP Overload Pg. 73	MBI Overload Protected Pg. 74	SSB Sealed Beam Pg. 75	SPI Platform Scale Pg. 76	2100 Column Pg. 79	LBM/LBS Pg. 66	LW Load Washer Pg. 70	MSC Mini Column Pg. 68
.5	.1			•														
1	.25			•														
2	.5			•														
5	1.1				•				•									
10	2.2				•				•		•							
15	3.0				•				•		•							
20	5.0				•		•	•	•	•	•				•		•	
30	7.5				•		•	•	•	•	•				•		•	
45	10	•			•		•	•	•	•	•				•		•	
50	11				•			•	•									
60	15				•			•	•						•			
100	22				•			•	•									
110	25	•			•		•	•	•						•		•	
225	50	•	•		•		•	•	•			•	•		•	•		•
330	75				•		•	•	•						•		•	
450	100	•	•		•		•	•	•			•	•		•	•		•
500	112				•													
700	150	•			•				•				•					
900	200				•		•									•		•
1,000	225				•													
1,000	250	•	•		•		•		•			•			•	•		
1,300	300				•		•											•
2,000	450				•													
2,200	500	•	•		•		•					•			•	•		•
3,300	750		•		•													
4,500	1,000	•	•		•		•					•			•	•		
9,000	2,000		•		•		•								•	•		
11,000	2,500				•													
13,000	3,000		•		•		•									•		
25,000	5,000		•		•		•								•	•		
33,000	7,500				•		•								•	•		
50,000	10,000				•		•								•	•		
65,000	15,000				•		•								•	•	•	
90,000	20,000				•		•								•	•	•	
100,000	25,000				•		•								•	•	•	
135,000	30,000				•		•								•	•	•	
250,000	50,000				•		•								•	•	•	
450,000	100,000				•		•								•	•	•	
≤ 1,000,000					•		•							•		•	•	

• = Standard items, most are in stock. Gray box = Available.

**ROTARY TORQUE TRANSDUCERS**

ENGLISH SERIES	lb-in	METRIC SERIES	Nm	T1 Torque Coupling Pg. 80	T2 Precision Pg. 82	T3 Precision-Pedestal Pg. 86	T4 General Purpose Pg. 90	T5 General Purpose-Pedestal Pg. 94	T6 Dual Range Pg. 98	T7 Dual Range-Pedestal Pg. 102	T8 ECO Pg. 106	T11 Bearingless Pg. 108	T12 Square Drive Pg. 110	T14 Slip-Ring Pg. 113	T15 Hex Drive Pg. 116	T22 Pulley Pg. 118	RT10E High Capacity Pg. 120	RT12E High Capacity Pg. 122
0.04	0.005											•						
0.27	0.03											•						
0.44	0.05											•						
0.89	0.1				•	•	•	•				•	•					
1.8	0.2				•	•	•	•			•	•	•		•			
4.4	0.5				•	•	•	•			•	•	•		•	•		
8.9	1				•	•	•	•	•		•	•	•		•	•		
18	2				•	•	•	•	•		•	•	•		•	•		
27	3				•	•	•	•	•		•	•	•		•	•	•	•
44	5				•	•	•	•	•		•	•	•		•	•	•	•
89	10				•	•	•	•	•		•	•	•		•	•	•	•
133	15				•	•	•	•	•		•	•	•		•	•	•	•
177	20				•	•	•	•	•		•	•	•		•	•	•	•
266	30				•	•	•	•	•		•	•	•		•	•	•	•
443	50			•	•	•	•	•	•		•	•	•		•	•	•	•
885	100			•	•	•	•	•	•		•	•	•		•	•	•	•
1328	150			•	•	•	•	•	•		•	•	•		•	•	•	•
1770	200			•	•	•	•	•	•		•	•	•		•	•	•	•
4425	500			•	•	•	•	•	•		•	•	•		•	•	•	•
8850	1000			•	•	•	•	•	•		•	•	•		•	•	•	•
17700	2000				•	•		•	•			•	•		•	•	•	•
44250	5000				•	•		•	•			•	•		•	•	•	•
88500	10000				•	•		•	•			•	•		•	•	•	•
177000	20000				•	•									•	•	•	•
200000	22599															•	•	•
375000	42373															•	•	•
750000	84746															•	•	•
1.5M	169492															•	•	•
3M	338983																•	•
4M	451977																•	•

**REACTION TORQUE TRANSDUCERS**

oz-in ENGLISH SERIES	lb-in ENGLISH SERIES	Nm METRIC SERIES	MRT Miniature Pg. 124	MRT2 Overload Protected Pg. 125	5330 Hollow Flange Pg. 126	5350 Solid Flange Pg. 127	5355 Solid Flange Pg. 127	5400 Flange Style Pg. 128	TS11 Flange Style Pg. 130	TS12 Shaft Style Pg. 132	TS15 Square Flange Pg. 136	TS16 Square Flange Pg. 138	TS17 Hex Drive Pg. 139	TS18 Shaft to Flange Style Pg. 140	TR1 Rod End Pg. 141	TS19 Short Flange Style Pg. 142
1	0.063	0.005														
4	0.25	0.03														
7	0.44	0.05														
14	0.88	0.1														
28	1.75	0.2														
71	4.44	0.5														
142	8.88	1														
283	18	2														
425	27	3														
-	44	5														
-	60	7														
-	89	10														
-	120	14														
-	133	15														
-	177	20														
-	240	27														
-	266	30														
-	443	50														
-	600	68														
-	885	100														
-	1200	136														
-	1328	150														
-	1770	200														
-	3000	339														
-	4425	500														
-	6000	678														
-	8850	1000														
-	10000	1130														
-	17700	2000														
-	20000	2260														
-	44250	5000														
-	50000	5650														
-	88500	10000														
-	100000	11300														
-	200000	22599														
-	300000	33900														
-	500000	56500														

# Why Interface?

- **WE ARE #1 . . . THE WORLD LEADER IN HIGH ACCURACY LOAD CELLS FOR FORCE MEASUREMENT**

- + Performance guarantee: Our load cells will outperform our competition's load cells—**PERIOD!**
- + Our Gold Standard™ Calibration System is just that—the gold standard, the only comprehensive system available that allows companies to calibrate their load cells. (How do you think many calibration labs and even some of our competitors calibrate **their** load cells?)
- + Every cell we make is individually tested and calibrated (no sampling).
- + Temperature characteristics are tested at both low and high temperature.
- + Self-temperature compensating strain gages manufactured from proprietary alloy.
- + Cells are creep tested to the tightest specification in the industry.
- + World's largest producer of low profile load cells. Each uses 8 gages to assure highest accuracy and each is moment compensated to minimize sensitivity to extraneous loads.
- + Higher output (up to 4mV/V output on low profile load cells).
- + Our vertical integration means shorter lead times, better quality control and lower costs. Many of our competitors farm out their CNC work, for example, but **our** machining is programmed directly from the same software used to design the load cell.
- + CATALOG ITEMS: Most load cells in our catalog are stocked for immediate shipment.
- + CUSTOM LOAD CELLS: **We will work with you to provide precisely what you need . . . quickly and cost-effectively.**

- **INDUSTRY LEADERSHIP CARRIES A RESPONSIBILITY FOR SERVICE LEADERSHIP.**

You don't have to be an expert in force measurement...because **we are**. Talk to us about what sort of forces or torques you need to measure, and under what conditions and constraints. We'll walk you through the load cell specification process...quickly and efficiently.

- **WHEN ACCURACY IS IMPORTANT, BEWARE OF COPYCAT PRODUCTS THAT DO NOT MEASURE UP . . . LITERALLY.**

We're proud of our innovation. Our load cells are 100% US-designed and manufactured, and Interface is 100% US-owned. But the real answer to the question, "Why Interface?" is the quality and accuracy of the products themselves.

# Table of Contents

## LOAD CELL SELECTION GUIDE

### TORQUE TRANSDUCER SELECTION GUIDE

#### 3 ..TABLE OF CONTENTS

#### 4 ..PRODUCT OVERVIEW

### LOAD CELLS

- 10 ....1000 Fatigue Rated
- 12 ....1000 Fatigue Rated High Capacity
- 14 ....1100 Ultra Precision
- 16 ....1101 Ultra Precision Compression-Only
- 18 ....1200 Standard
- 20 ....1200 Standard High Capacity
- 22 ....1201 Standard Compression-Only
- 24 ....1200 Standard 3-Wire Amplified
- 26 ....*Recalibration & Repair Services*
- 27 ....1700 Flange
- 28 ....1200 Flange
- 30 ....1216 Axial Torsion
- 31 ....2816 Axial Torsion
- 32 ....1500 Standard Low Capacity
- 33 ....1516 Axial Torsion
- 34 ....1600 Gold Standard™ Calibration
- 36 ....1600 Gold Standard™ Calibration Compression-Only
- 38 ....1606 Gold Standard™ Low Capacity Calibration
- 40 ....1800 Platinum Standard™ Calibration
- 42 ....2101 Dual Range Standard Compression-Only
- 43 ....5200 Multi-Axis
- 44 ....2400 Standard Stainless Steel 100 lbf-5K lbf
- 46 ....2400 Standard Stainless Steel 10K lbf & 20K lbf
- 48 ....2404 Standard Stainless Steel 2-Wire Amplified
- 50 ....3200 Standard Stainless Steel
- 52 ....3200 Standard Stainless Steel Compression-Only
- 54 ....3416 & 3430 Coil Tubing
- 55 ....3420 Coil Tubing

### MINIATURE TENSION & COMPRESSION LOAD CELLS

- 56 ....SM S-Type
- 57 ....SSM Sealed S-Type
- 58 ....ULC Ultra Low Capacity
- 59 ....SMT S-Type Overload Protected
- 60 ....SMA Miniature S-Type
- 61 ....SML Low Height
- 62 ....WMC Miniature Sealed Stainless Steel 5-500 lbf
- 63 ....WMC Miniature Sealed Stainless Steel 1-10K lbf
- 64 ....WMC Rod End
- 65 ....REC Rod End

### LOAD BUTTONS

- 66 ....LBM Compression
- 67 ....LBS Miniature Compression
- 68 ....MSC Small Diameter High Capacity
- 69 ....BPL Pedal Load Cell 50-500 lbf

### LOAD WASHERS

- 70 ....LW Load Washer
- 71 ....Interface Load Washer Selection Chart

### BEAM TYPE LOAD CELLS

- 72 ....MB Miniature Beam
- 73 ....MBP Miniature Beam Overload Protected
- 74 ....MBI Fatigue Rated Miniature Beam Overload Protected
- 75 ....SSB Sealed Beam
- 76 ....SPI Platform Scale 3-15 lbf
- 77 ....SPI Platform Scale 25-150 lbf
- 78 ....A4200 & A4600 Weighcheck
- 79 ....2100 High Capacity Column Load Cell

### ROTARY TORQUE TRANSDUCERS

- 80 ....T1 Torque Coupling
- 82 ....T2 Precision
- 86 ....T3 Precision-Pedestal
- 90 ....T4 General Purpose
- 94 ....T5 General Purpose-Pedestal
- 98 ....T6 Dual Range
- 102 ....T7 Dual Range-Pedestal
- 106 ....T8 ECO
- 108 ....T11 Bearingless
- 110 ....T12 Square Drive
- 113 ....T14 Slip-Ring
- 116 ....T15 Hex Drive
- 118 ....T22 Pulley
- 120 ....RT10E High Capacity Rotary Transformer
- 122 ....RT12E High Capacity Rotary Transformer

### REACTION TORQUE TRANSDUCERS

- 124 ....MRT Miniature
- 125 ....MRT2 Miniature Overload Protected
- 126 ....5330 Hollow Flange
- 127 ....5350 & 5355 Solid Flange
- 128 ....5400 Series Flange Style
- 130 ....TS11 Flange Style
- 132 ....TS12 Shaft Style
- 134 ....TS14 Square Drive
- 135 ....*Recalibration & Repair Services*
- 136 ....TS15 Square Flange Style
- 138 ....TS16 Square Flange Style
- 139 ....TS17 Hex Drive
- 140 ....TS18 Shaft to Flange Style
- 141 ....TR1 Rod End
- 142 ....TS19 Short Flange Style

### INSTRUMENTATION

- 144 ....500 In-Line Signal Conditioner
- 145 ....SGA AC/DC Powered Signal Conditioner
- 146 ....DMA DIN Rail Mount Signal Conditioner
- 147 ....DCA Vehicle Compatible Signal Conditioner
- 148 ....Interface Amplified Load Cells
- 149 ....TEDS (Transducer Electronic Data Sheet)
- 150 ....9820 General Purpose Indicator
- 151 ....9830 High Speed Digital Indicator
- 152 ....9834 High Level Input Digital Indicator
- 153 ....9840 Intelligent Indicator
- 154 ....9860 TEDS Indicator
- 155 ....9850 Multi-Channel Indicator
- 156 ....9320 Hand Held Battery Powered Indicator
- 157 ....9300 Weight Indicator
- 158 ....9390 Battery Powered Weight Indicator
- 159 ....UMC 600 Weight Indicator/Controller

### CALIBRATION SYSTEMS

- 160 ....Interface Gold Standard™ Calibration Systems
- 161 ....Gold Standard™ Load Cell Calibration System
- 161 ....Gold Standard™ E4 Machine Calibration System
- 162 ....Gold Standard™ Calibration System Options
- 163 ....Precision mV/V Load Cell Simulator
- 164 ....SCB1 Conditioning Board 1 or 2 Channel
- 165 ....HRBSC High Resolution Signal Conditioning Board

### 166 ..CALIBRATION SERVICES

### 169 ..LOAD CELL OPTIONS

### 172 ..LOAD CELL ACCESSORIES

### 176 ..ACCESSORIES

### 178 ..ELECTRICAL & WIRING DIAGRAMS

### 180 ..APPENDIX

## LOW PROFILE™ GENERAL PURPOSE AND CALIBRATION LOAD CELLS

### 1000 Fatigue Rated

See page 10

- Capacities from 250 lbf to 100K lbf
- Metric capacities from 1.25 kN to 450 kN
- For fully reversed high cycle



### 1100 Ultra Precision

See page 14

- Capacities from 300 lbf to 200K lbf
- Metric capacities from 1.5 kN to 900 kN
- Highest accuracy



### 1200 Standard

See page 18

- Capacities from 300 lbf to 2000K lbf
- Metric capacities from 1.5 kN to 900 kN
- Eccentric load compensated



### 1200 Flange

See page 28

- Capacities from 30K lbf to 330K lbf
- Metric capacities from 140 kN to 1500 kN
- Eccentric load compensated



### 1700 Flange

See page 27

- Capacities from 550 lbf to 14K lbf
- Metric capacities from 10 kN to 20 kN
- Mounts directly to flange cylinders



### 1500 Standard Low Capacity

See page 32

- Capacities from 25 to 300 lbf
- Metric capacities from 125 to 1500 N
- Very good for eccentric loads



### 2400 Standard Stainless Steel

See page 44+

- Capacities from 100 lbf to 20K lbf
- Metric capacities from 450 N to 90 kN
- Welded diaphragm/connector



### 3200 Standard Stainless Steel

See page 50

- Capacities from 2.5K lbf to 100K lbf
- Metric capacities from 22 kN to 450 kN
- Eccentric load compensated



### Interface Amplified Load Cells

See page's 24,48

- Capacities from 300 lbf to 2000K lbf
- Available in 2 or 3 wire configurations
- Eliminates need for external signal conditioning



See pg. 148 for additional info.

### 1600 Gold Standard™ Calibration

See page 34+

- Capacities from 500 lbf to 100K
- Metric capacities from 2.2 kN to 450 kN
- Guaranteed to 4% lower load limit



### 1606 Gold Standard™ Low Capacity Calibration

See page 38

- Capacities from 50 to 300 lbf
- Metric capacities from 250N to 1,500N
- Tension & compression in one unit



### 1800 Platinum Standard™ Calibration

See page 40

- Capacities from 1.1K to 55K lbf
- Metric capacities from 5 kN to 250 kN
- Integral adapter



## COLUMN/ROD END LOAD CELLS

### WMC Rod End

See page 64

- Capacities from 20K lbf to 50K lbf
- Stainless steel
- Tension & compression



### REC Rod End

See page 65

- Capacities from 1K lbf to 50K lbf
- Metric capacities from 5 kN to 220 kN
- Environmentally sealed



### 2100 High Capacity Column

See page 79

- Capacities to 1000K lbf
- Metric capacities to 4450 kN
- Universal or compression-only





# MINIATURE

## SM S-Type

See page **56**

- Capacities from 10 lbf to 1K lbf
- Metric capacities from 50 N to 5 kN
- High accuracy “S” type cell



## SSM Sealed S-Type

See page **57**

- Capacities from 50 lbf to 5K lbf
- Metric capacities from 200 N to 20 kN
- Sealed “S” type cell



## SMT S-Type Overload Protected

See page **59**

- Capacities from 1.1 lbf to 450 lbf
- Metric capacities from 5 N to 2 kN
- Safe overload to 10X capacity



## SMA Miniature S-Type

See page **60**

- Capacities from 15 lbf to 200 lbf
- Compact design
- Tension & compression



## ULC Ultra Low Capacity

See page **58**

- Capacities from 2 oz to 7 oz
- Metric capacities from 0.5 N to 2 N
- Safe overload to 10X capacity



## SML Low Height

See page **61**

- Capacities from 5 lbf to 1K lbf
- Metric capacities from 20 N to 4.5 kN
- Only 3/4" high



## WMC Miniature Sealed Stainless Steel

See page's **62+**

- Capacities from 5 lbf to 10K lbf
- Stainless steel
- Tension & compression



## LBM Compression

See page **66**

- Capacities from 25 lbf to 50K lbf
- Metric capacities from 110 N to 225 kN
- Low height



## LBS Miniature Compression

See page **67**

- Capacities from 5 lbf to 1K lbf
- Metric capacities from 20 N to 4.5 kN
- Small diameter/low height



## MSC Small Diameter High Capacity

See page **68**

- Capacities from 15K lbf to 30K lbf
- Compact design
- Stainless steel



## LW Load Washer

See page **70**

- Capacities from 5 lbf to 100K lbf
- Metric capacities from 22 N to 450 kN
- Thru hole design



## MB Miniature Beam

See page **72**

- Capacities from 5 lbf to 250 lbf
- Metric capacities from 20 N to 1.1 kN
- High accuracy beam type cell



## MBP Miniature Beam Overload Protected

See page **73**

- Capacities from 2.5 lbf to 10 lbf
- Metric capacities from 10 N to 50 N
- 10X overload protection



## MBI Fatigue Rated Miniature Beam Overload Protected

See page **74**

- Capacities from 2.5 lbf to 10 lbf
- Metric capacities from 10 N to 50 N
- 10X overload protection



## SSB Sealed Beam

See page **75**

- Capacities from 50 lbf to 1K lbf
- Metric capacities from 225 N to 4.5 kN
- Environmentally sealed



## SPECIAL APPLICATIONS

**2101 Dual Range Standard Compression-Only**See page **42**

- Capacities from 5K lbf/1K lbf to 125K lbf/25K lbf
- Metric capacities from 25 kN/5 kN to 550 kN/125kN
- Dual range compression

**3416 & 3420 Coil Tubing**See page **54**

- Capacities from 30K lbf to 50K lbf
- Hermetically sealed
- ATEX approved

**3430DES-60K Coil Tubing**See page **55**

- 60K lbf capacity
- Hermetically sealed
- Performance to .05%

**BPL Pedal Load Cell**See page **69**

- Capacities from 50 lbf to 500 lbf
- Ultra low height
- For use with gas, brake or clutch pedal

**SPI Platform Scale 3-15 lbf**See page **76**

- 400% compression overload protection
- Eccentric load compensated
- Tension & compression overload protection

**SPI Platform Scale 25-150 lbf**See page **77**

- Compensated strain gages
- Safe overload to 200%
- Eccentric load compensated

**A4200 & A4600 Weighcheck**See page **78**

- Capacities from 2.5K to 50K
- Metric capacities from 1.1 kg to 23K kg
- For tank and specialty weighing



*Can't find what you are looking for?  
Call us at 1-800-947-5598  
to discuss your application  
with one of our  
Application Engineers.*

## MULTI-AXIS

**1216 Axial Torsion**See page **30**

- Measures torque & load
- Minimal crosstalk
- Fatigue rated

**2816 Axial Torsion**See page **31**

- Capacities from 3.3K/2K, 5K/3K, 10K/6K, 15K/7.5K
- Measures load and torque
- Minimal crosstalk

**1516 Axial Torsion**See page **33**

- Capacities 100 lb 50 lbf-in (Axial/Torsion)
- Axial force torque
- Minimal crosstalk

**5200 Multi-Axis**See page **43**

- Measures load & moment
- Minimal deflection
- Low crosstalk



# INSTRUMENTATION & CALIBRATION SYSTEMS

## 500 In-Line Signal Conditioner

See page 144

- Output of  $\pm 5$  VDC Bipolar & 4-20 mA
- 12-24 VDC power
- DE-9 connector



## SGA AC/DC Powered Signal Conditioner

See page 145



- User selectable analog output  $\pm 10V$ ,  $\pm 5V$ , 4-20 mA
- 110 VAC, 220 VAC, or 18-24 VDC power
- Selectable filtering 1 Hz to 5K Hz



## DMA DIN Rail Mount Signal Conditioner

See page 146

- User selectable analog output  $\pm 10V$ ,  $\pm 5V$ , 4-20 mA
- 12-24 VDC power
- Selectable input ranges



## DCA Vehicle Compatible Signal Conditioner

See page 147

- 10-28 VDC power
- NEMA 4X enclosure
- User selectable analog output  $\pm 10V$ ,  $\pm 5V$  or 4-20mA



## 9820 General Purpose Indicator

See page 150



- 5 digit bipolar LED display
- Nonlinearity  $< \pm 0.01\%$
- Front panel shunt calibration



## 9830 High Speed Digital Indicator

See page 151

- 120 readings per second
- Programmable analog output
- Front panel shunt calibration



## 9834 High Level Input Digital Indicator

See page 152

- 120 readings per second
- Peak and valley monitoring
- Remote and front panel tare



## 9840 Intelligent Indicator

See page 153



- TEDS Plug & Play Ready (see Page 149)
- 1 or 2 channel
- USB port



## 9860 TEDS Indicator

See page 154

- TEDS Plug & Play Ready (see Page 149)
- 150 conversions per second
- Bidirectional RS232



## 9850 Multi-Channel Indicator

See page 155



- Works with torque sensors, load cells, encoders, LVDTs and speed pickups
- 2000 readings/second
- Includes graphical logging software



## 9320 Hand Held Battery Powered Indicator

See page 156



- TEDS Plug & Play Ready (see Page 149)
- 7 1/2 digit LCD display
- Environmentally sealed



## 9300 Weight Indicator

See page 157

- 6-digit display
- Powers up to 8 load cells
- 15 readings/second typical



## 9390 Battery Powered Weight Indicator

See page 158



- 100,000 display graduations
- Powers up to 4 load cells
- Battery powered



## UMC 600 Weight Indicator/Controller

See page 159



- Powers up to 8 load cells
- 10 readings/second with adjustable digital averaging
- 5-point linearization



## Gold Standard™ Load Cell Calibration System

See page 161

- Reduces calibration time 50-90%
- Eliminates errors
- Automatic calculation & archiving



## Gold Standard™ E4 Machine Calibration System

See page 161

- Portable
- Eliminates errors
- Reduces verification times up to 90%



## Precision mV/V Load Cell Simulator

See page 163

- Most accurate simulator
- Special low thermal emf construction
- Instrument substitution testing



## HRBSC High Resolution Signal Conditioning Board

See page 165

- High thermal stability
- Shunt calibration, software selectable
- Bipolar



## ROTARY TORQUE

### T1 Torque Coupling

See page **80**

- Capacities from 50 to 1K Nm (442 to 8,850 lb-in)
- Shortest installed length
- Integrated double-flex disc coupling



### T2 Precision

See page **82**

- Capacities from 0.1 to 20K Nm (0.88 to 177K lb-in)
- +5 VDC output
- Digital electronics



### T3 Precision-Pedestal

See page **86**

- Capacities from 0.1 to 20K Nm (0.88 to 177K lb-in)
- Integral mounting base
- +5 VDC output



### T4 General Purpose

See page **90**

- Capacities from 0.1 to 1K Nm (0.88 to 8.85K lb-in)
- +5 VDC output
- Digital electronics



### T5 General Purpose-Pedestal

See page **94**

- Capacities from 0.1 to 1K Nm (0.85 to 8.85K lb-in)
- +5 VDC output
- Digital electronics



### T6 Dual Range

See page **98**

- Dual range capacities - 10:1 ratio (5/0.5 to 20K/2K Nm) (44.3/4.43 to 177K to 17.7K lb-in)
- +5 VDC output
- Stainless steel shaft



### T7 Dual Range-Pedestal

See page **102**

- Dual range capacities - 10:1 ratio (5/0.5 to 20K/2K Nm) (44.3/4.43 to 177K to 17.7K lb-in)
- +5 VDC output
- 5 kHz sample rate



### T8 ECO

See page **106**

- Capacities from 0.2 to 200 Nm (1.77 to 1.77K lb-in)
- Stainless steel shaft
- +5 VDC output



### T11 Bearingless

See page **108**

- Capacities from 0.005 to 150 Nm (0.04 to 1,327 lb-in)
- Bearingless
- High speed - to 30K RPM



### T12 Square Drive

See page **110**

- Capacities from 0.10 to 5K Nm (0.88 to 44K lb-in)
- +5 VDC output
- 12-28 VDC supply



### T14 Slip-Ring

See page **113**

- Capacities from 1 to 500 Nm (8.85 to 4.4K lb-in)
- Integrated speed and angle measurement option
- Both shaft ends with keyway



### T15 Hex Drive

See page **116**

- Capacities from 0.2 to 20 Nm (1.77 to 177 lbf-in)
- Contactless - no slip rings
- High-level  $\pm 5V$  output



### T22 Pulley

See page **118**

- Capacities from 20 to 5K Nm (177 to 44K lb-in)
- +5 VDC output
- Digital electronics



### RT10E High Capacity

See page **120**

- Capacities from 3 to 450K Nm (25 to 2M lb-in)
- High accuracy
- Infinite fatigue life



### RT12E High Capacity

See page **122**

- Capacities from 0.1 to 1.4 Nm (10 to 200 oz-in)
- High accuracy
- 2X overload rating



# REACTION TORQUE

## MRT Miniature

See page 124

- Capacities from 0.2 to 20K Nm (1.77 to 177 lb-in)
- Small size - 1.6 in OD x 1.25 in
- Excellent linearity & repeatability



## MRT2 Miniature Overload Protected

See page 125

- Capacities from 0.2 to 50 Nm (1.77 to 443 lbf-in)
- Overload protected to 3X capacity (0.2 and 2Nm only)
- Proprietary Interface temperature compensated strain gages



## 5400 Series Flange Style

See page 126

- Capacities from 226 to 565K Nm (2K to 500K lb-in)
- High torsional stiffness
- Flange mount



## 5330 Hollow Flange

See page 128

- Capacities from 6.78 to 11.30 Nm (60 to 100K lb-in)
- High torsional stiffness
- Extraneous load resistance



## 5350 Solid Flange

See page 129

- Capacities from 0.07 to 1.41 Nm (10-200 oz-in)
- High torsional stiffness
- Extraneous load resistance



## 5355 Solid Flange

See page 129

- Capacities from 1.2 to 12K Nm (10 to 100K lb-in)
- High torsional stiffness
- Extraneous load resistance



## TS11 Flange Style

See page 130

- Capacities from 10 to 20K Nm (88.5 to 177K lb-in)
- Compact
- Thru-hole design



## TS12 Shaft Style

See page 132

- Capacities from 0.005 to 20K Nm (0.04 to 177K lb-in)
- Stainless steel shafts
- Compact



## TS14 Square Drive

See page 134

- Capacities from 2 to 5K Nm (17.7 to 44.2 lbf-in)
- Simple operation - no moving parts
- Useful for auditing fastener torques



## TS15 Square Flange

See page 136

- Capacities from 2 to 2K Nm (17.7 to 17.7K lbf-in)
- Convenient flange mounting
- Useful for checking torque wrenches



## TS16 Square Flange

See page 138

- Capacities from 2 to 2K Nm (17.7 to 17.7K lbf-in)
- Convenient flange mounting
- Accepts standard sockets



## TS17 Hex Drive

See page 139

- Capacities from 0.2 to 20 Nm (1.77 to 177 lb-in)
- Simple operation - no moving parts
- Useful for auditing fastener torques



## TS18 Shaft to Flange Style

See page 140

- Capacities from 5 to 5K Nm (44.3 to 44.3K lbf-in)
- Keyed shaft per DIN 6885.1
- Convenient flange mounting



## TR1 Rod End

See page 141

- Capacities from 25 oz-in to 1K lb-in (0.18 to 110 Nm)
- Stainless steel
- Small size



## TS19 Short Flange Style

See page 142

- Capacities from 100 to 5K Nm (885 to 44.3K lbf-in)
- Short, rugged, compact design
- Both ends with flange



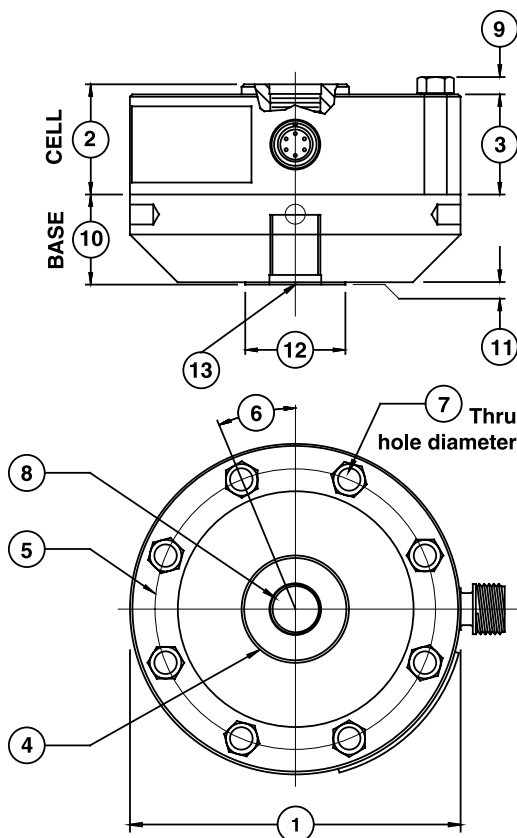
# Model 1000 Fatigue Rated Load Cell (U.S. & Metric)

Why the Interface model 1000 Fatigue Rated Load Cell is the best in class:

- Proprietary Interface temperature compensated strain gages
- 100 million fully reversed cycles
- Performance to 0.03%
- Eccentric load compensated
- Low deflection
- .0008%/°F (.0015%/°C) temp. effect on output
- Barometric compensation
- Shunt calibration
- Tension & compression



## DIMENSIONS



See Drawing	MODEL					
	1010		1020		1032	
	CAPACITY					
	U.S. (lbf)	Metric (kN)	U.S. (lbf)	Metric (kN)	U.S. (lbf)	Metric (kN)
	250, 500, 1K, 2.5K, 5K	1.25, 2.5, 5, 12.5, 25	12.5K, 25K	50, 125	50K	225
	inch	mm	inch	mm	inch	mm
①	4.13	104.8	6.06	153.9	8.00	203.2
②	1.38	34.9	1.75	44.5	2.50	63.5
③	1.25	31.7	1.63	41.4	2.25	57.2
④	1.34	34.0	2.65	67.3	3.76	95.2
⑤	3.50	88.9	5.13	130.3	6.50	165.1
⑥	22.5°	22.5°	15.0°	15.0°	11.25°	11.25°
⑦	0.28	7.10	0.41	10.4	0.53	13.5
	8 places		12 places		16 places	
⑧	5/8-18 UNF-3B	M-16 X 2-4H	1 1/4-12 UNF-3B	M33 X 2-4H	1 3/4-12 UNF-3B	M42 X 2-4H
	1.12 in deep	28.4 mm deep	1.40 in deep	35.6 mm deep	2.15 in deep	54.6 mm deep
⑨	0.20	5.10	0.30	7.60	0.40	10.2
⑩	1.13	28.6	1.75	44.5	2.00	50.8
⑪	0.03	0.80	0.03	0.80	0.03	0.80
⑫	1.25	31.8	2.25	57.2	3.00	76.2
⑬	5/8-18 UNF-3B	M-16 X 2-4H	1 1/4-12 UNF-3B	M33 X 2-4H	1 3/4-12 UNF-3B	M42 X 2-4H
	.87 in deep	22.1 mm deep	1.40 in deep	35.6 mm deep	1.75 in deep	44.5 mm deep

**SPECIFICATIONS**

PARAMETERS	MODEL			
	1010	1010	1020	1032
	CAPACITY			
U.S. Models (lbf)	250, 500, 1K	2.5K, 5K	12.5K, 25K	50K
Metric Models (kN)	1.25, 2.5, 5	12.5, 25	50, 125	225
<b>ACCURACY – (MAX ERROR)</b>				
Static Error Band-% FS	±0.03	±0.04	±0.05	±0.05
Nonlinearity-% FS	±0.04	±0.04	±0.05	±0.05
Hysteresis-% FS	±0.03	±0.04	±0.05	±0.05
Nonrepeatability-% RO	±0.02	±0.02	±0.02	±0.02
Creep, in 20 min-%	±0.025	±0.025	±0.025	±0.025
Side Load Sensitivity-%	±0.1	±0.1	±0.1	±0.1
Eccentric Load Sensitivity-%/in	±0.1	±0.1	±0.1	±0.1
<b>TEMPERATURE</b>				
Compensated Range-°F	15 to 115	15 to 115	15 to 115	15 to 115
Compensated Range-°C	-10 to 45	-10 to 45	-10 to 45	-10 to 45
Operating Range-°F	-65 to 200	-65 to 200	-65 to 200	-65 to 200
Operating Range-°C	-55 to 90	-55 to 90	-55 to 90	-55 to 90
Effect on Zero-%RO/°F – MAX	±0.0008	±0.0008	±0.0008	±0.0008
Effect on Zero-%RO/°C – MAX	±0.0015	±0.0015	±0.0015	±0.0015
Effect on Output-%/°F – MAX	±0.0008	±0.0008	±0.0008	±0.0008
Effect on Output-%/°C – MAX	±0.0015	±0.0015	±0.0015	±0.0015
<b>ELECTRICAL</b>				
Rated Output-mV/V (Nominal)	1.0	2.0	2.0	2.0
Excitation Voltage-VDC MAX	20	20	20	20
Bridge Resistance-Ohm (Nominal)	350	350	350	350
Zero Balance-% RO	±1.0	±1.0	±1.0	±1.0
Insulation Resistance-Megohm	5000	5000	5000	5000
<b>MECHANICAL</b>				
Safe Overload-% CAP	±300	±300	±300	±300
Deflection @ RO-inch	0.0005	0.001	0.001	0.002
Deflection @ RO-mm	0.013	0.025	0.025	0.050
Optional Base-P/N (Metric)	B101 (M)	B102 (M)	B103 (M)	B112 (M)
Natural Frequency-kHz	5.0, 6.9, 9.8	6.6, 9.4	6.5, 7.0	5.8
Weight-lb	1.5	3.3	9.5	26
Weight-kg	0.7	1.5	4.3	12
Connector	PC04E-10-6P	PC04E-10-6P	PC04E-10-6P	PC04E-10-6P
Calibration	T & C	T & C	T & C	T & C

**OPTIONS\* Page 169**

- Base (Recommended)
- Integral 10 ft Cable
- Bayonet Connector
- Multiple Bridge
- Standardized Output
- Connector Protection
- See Transducer Electronic Data Sheet (TEDS) Page 149

**ACCESSORIES\* Page 172**

- Mating Connector
- Instrumentation
- Loading Hardware

\*See appendix for more technical information

**STANDARD CONFIGURATIONS**

- 10 ft Integral Cable (10xxAJ-nn)
- <or> PC04E-10-6P Connector (10xxAF-nn)
- Installed Base (-B suffix)



Shown with optional base

# Model 1000 Fatigue Rated High Capacity Load Cell (U.S. & Metric)

Why the Interface model 1000 Fatigue Rated High Capacity Load Cell is the best in class:

- Proprietary Interface temperature compensated strain gages
- 100 million fully reversed cycles
- Performance to 0.06%
- Eccentric load compensated
- Low deflection
- .0008%/°F (.0015%/°C) temp. effect on output
- Barometric compensation
- Shunt calibration
- Tension & compression

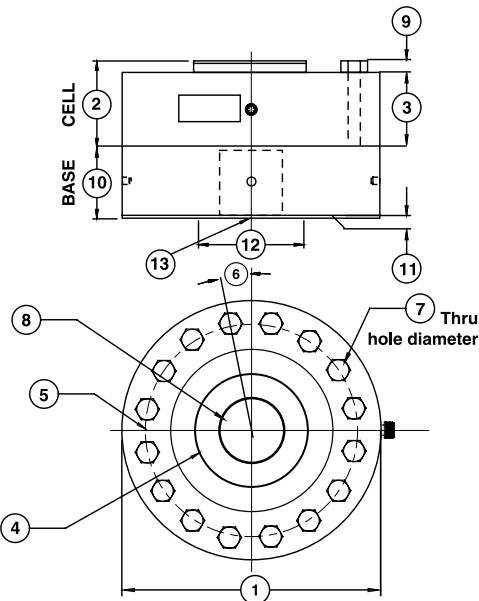


Shown with optional base

## DIMENSIONS

See Drawing	MODEL											
	1040		1044		1050		1060		1080		1090	
	CAPACITY											
	U.S. (lbf)	Metric (kN)	U.S. (lbf)	Metric (kN)	U.S. (lbf)	Metric (kN)	U.S. (lbf)	Metric (kN)	U.S. (lbf)	Metric (kN)	U.S. (lbf)	Metric (kN)
	100K	450	135K	600	200K	900	300K	1500	500K	2250	1000K	4500
	inch	mm	inch	mm	inch	mm	inch	mm	inch	mm	inch	mm
①	11.0	279.0	11.0	279.0	12.0	304.8	15.5	393.7	20.50	520.7	26.00	660.4
②	3.50	88.9	4.00	101.6	4.50	114.3	5.50	139.7	6.25	158.8	7.75	196.9
③	3.00	76.2	3.25	82.6	4.25	108.0	5.00	127.0	6.00	152.4	7.50	190.5
④	4.81	122.2	4.81	122.2	5.68	144.3	7.73	196.3	10.55	267.9	13.79	350.3
⑤	9.00	228.6	8.75	222.2	9.50	241.3	12.68	322.1	16.5	419.1	20.50	520.7
⑥	11.25°	11.25°	11.25°	11.25°	9.00°	9.00°	7.50°	7.50°	6.43°	6.43°	5.63°	5.63°
⑦	0.65	16.5	0.79	20.1	0.79	20.1	0.94	23.9	1.06	27.0	1.31	33.3
	16 places		16 places		20 places		24 places		28 places		32 places	
⑧	2 3/4-8 UNF-3B	M72 X 2-4H	2 3/4-8 UNF-3B	M72 X 2-4H	3 1/2-8 UN-3B	M90 X 3-4H	4 1/4-8 UN-3B	M120 X 4-4H	6.00-8 UN-3B	M150 X 4-4H	8.00-8 UN-3B	M200 X 4-4H
	3.25 in deep	82.6mm deep	3.75 in deep	96.3mm deep	3.75 in deep	95.3mm deep	4.25 in deep	108.0mm deep	5.63 in deep	130mm deep	7.00 in deep	178mm deep
⑨	0.50	12.7	0.50	12.7	0.59	15.0	0.69	17.5	1.00	25.4	1.25	31.3
⑩	3.00	76.2	4.00	101.6	4.50	114.3	5.00	127.0	7.00	177.8	9.00	228.6
⑪	0.03	0.80	0.03	0.80	0.03	0.80	0.03	0.80	0.03	0.80	0.10	2.5
⑫	4.50	114.3	4.50	114.3	6.00	152.4	7.75	196.9	10.55	267.9	14.00	355.6
⑬	2 3/4-8 UNF-3B	M72 X 2-4H	2 3/4-8 UNF-3B	M72 X 2-4H	3 1/2-8 UN-3B	M90 X 3-4H	4 1/4-8 UN-3B	M120 X 4-4H	6.00-8 UN-3B	M150 X 4-4H	8.00-8 UN-3B	M200 X 4-4H
	2.75 in deep	69.8mm deep	3.75 in deep	95.3mm deep	3.75 in deep	95.3mm deep	4.25 in deep	108.0mm deep	6.38 in deep	162mm deep	7.25 in deep	184mm deep

Specifications subject to change.





**SPECIFICATIONS**

PARAMETERS	MODEL					
	1040	1044	1050	1060	1080	1090
	CAPACITY					
U.S. Models (lbf)	100K	135K	200K	300K	500K	1000K
Metric Models (kN)	450	600	900	1500	2250	4500
<b>ACCURACY – (MAX ERROR)</b>						
Static Error Band-% FS	±0.06	±0.07	±0.10	±0.10	±0.15	±0.20
Nonlinearity-% FS	±0.06	±0.08	±0.10	±0.10	±0.15	±0.20
Hysteresis-% FS	±0.06	±0.08	±0.10	±0.10	±0.15	±0.20
Nonrepeatability-% RO	±0.02	±0.02	±0.02	±0.02	±0.02	±0.02
Creep, in 20 min-%	±0.025	±0.025	±0.025	±0.025	±0.025	±0.025
Side Load Sensitivity-%	±0.1	±0.25	±0.25	±0.25	±0.25	±0.25
Eccentric Load Sensitivity-%/in	±0.1	±0.25	±0.25	±0.25	±0.25	±0.50
<b>TEMPERATURE</b>						
Compensated Range-°F	15 to 115	15 to 115	15 to 115	15 to 115	15 to 115	15 to 115
Compensated Range-°C	-10 to 45	-10 to 45	-10 to 45	-10 to 45	-10 to 45	-10 to 45
Operating Range-°F	-65 to 200	-65 to 200	-65 to 200	-65 to 200	-65 to 200	-65 to 200
Operating Range-°C	-55 to 90	-55 to 90	-55 to 90	-55 to 90	-55 to 90	-55 to 90
Effect on Zero-%RO/°F – MAX	±0.0008	±0.0008	±0.0008	±0.0008	±0.0008	±0.0008
Effect on Zero-%RO/°C – MAX	±0.0015	±0.0015	±0.0015	±0.0015	±0.0015	±0.0015
Effect on Output-%/°F – MAX	±0.0008	±0.0008	±0.0008	±0.0008	±0.0008	±0.0008
Effect on Output-%/°C – MAX	±0.0015	±0.0015	±0.0015	±0.0015	±0.0015	±0.0015
<b>ELECTRICAL</b>						
Rated Output-mV/V (Nominal)	2.0	2.0	2.0	2.0	2.0	2.0
Excitation Voltage-VDC MAX	20	20	20	20	20	20
Bridge Resistance-Ohm (Nominal)	350	350	350	350	350	350
Zero Balance-% RO	±1.0	±1.0	±1.0	±1.0	±1.0	±1.0
Insulation Resistance-Megohm	5000	5000	5000	5000	5000	5000
<b>MECHANICAL</b>						
Safe Overload-% CAP	±300	±300	±300	±300	±300	±300
Deflection @ RO-inch	0.003	0.003	0.004	0.004	0.005	0.005
Deflection @ RO-mm	0.075	0.076	0.10	0.10	0.13	0.13
Optional Base-P/N (Metric)	B105 (M)	B116 (M)	B121 (M)	B122 (M)	B123 (M)	B125 (M)
Natural Frequency-kHz	4.9	5.0	5.5	5.5	5.5	5.5
Weight-lb	68	70	100	200	450	860
Weight-kg	30.9	31.8	45	90	205	390
Connector	PC04E-10-6P	PC04E-10-6P	PC04E-10-6P	PC04E-10-6P	PC04E-10-6P	PC04E-10-6P
Calibration	T & C	T & C	T & C	T & C	T & C	T & C

**OPTIONS\*Page 115**

Base (Recommended)  
 Integral 10 ft Cable  
 Bayonet Connector  
 Multiple Bridge  
 Standardized Output  
 See Low Profile Options  
 See Transducer Electronic Data Sheet (TEDS) Page 149

**STANDARD CONFIGURATIONS**

10 ft Integral Cable (10xxAJ-nn)  
 <or> PC04E-10-6P Connector (10xxAF-nn)  
 <or> PT02E-10-6P Bayonet Connector (12xxCDS-nn)  
 Installed Base (-B suffix)

**ACCESSORIES\*Page 119**

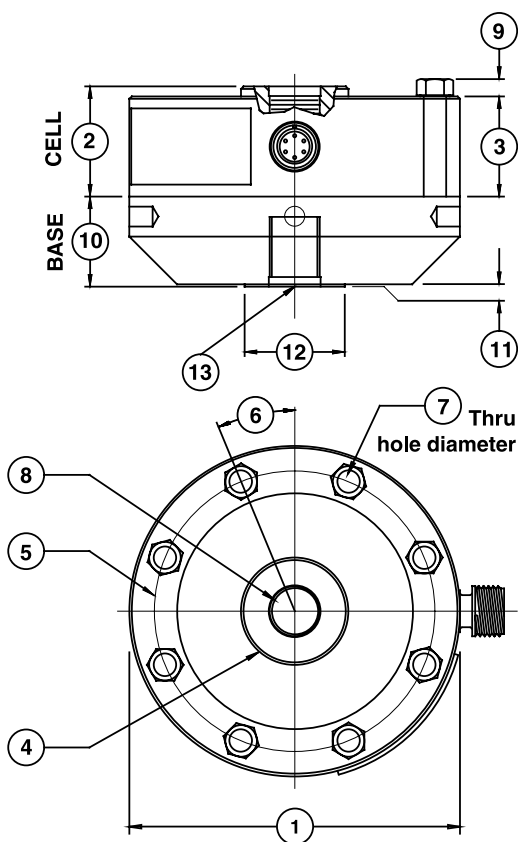
Mating Connector  
 Instrumentation  
 Loading Hardware

\*See appendix for more technical information

# Model 1100 Ultra Precision Load Cell (U.S. & Metric)

Why the Interface model 1100 Ultra Precision Load Cell is the best in class:

- Proprietary Interface temperature compensated strain gages
- Performance to .02%
- High output – to 4 mV/V
- Eccentric load compensated
- Low deflection
- .0008%/°F (.0015%/°C) temp. effect on output
- Shunt calibration
- High precision base included
- Barometric compensation
- Tension & compression



## DIMENSIONS

See Drawing	MODEL							
	1110		1120		1132		1140	
	CAPACITY							
	U.S. (lbf)	Metric (kN)	U.S. (lbf)	Metric (kN)	U.S. (lbf)	Metric (kN)	U.S. (lbf)	Metric (kN)
	300, 500, 1K, 2K, 3K, 5K, 10K	1.5, 2.5, 5, 10, 25, 50	25K, 50K	100, 250	100K	450	200K	900
	inch	mm	inch	mm	inch	mm	inch	mm
①	4.13	104.8	6.06	153.9	8.00	203.2	11.0	279.0
②	1.38	34.9	1.75	44.5	2.50	63.5	3.50	88.9
③	1.25	31.7	1.63	41.4	2.25	57.2	3.00	76.2
④	1.34	34.0	2.65	67.3	3.76	95.2	4.81	122.2
⑤	3.50	88.9	5.13	130.3	6.50	165.1	9.00	228.6
⑥	22.5°	22.5°	15.0°	15.0°	11.25°	11.25°	11.25°	11.25°
⑦	0.28	7.10	0.41	10.4	0.53	13.5	0.65	16.5
⑧	5/8-18 UNF-3B	M-16 X 2-4H	1 1/4-12 UNF-3B	M33 X 2-4H	1 3/4-12 UNF-3B	M42 X 2-4H	2 3/4-8 UNF-3B	M72 X 2-4H
	1.12 in deep	28.4 mm deep	1.40 in deep	35.6 mm deep	2.15 in deep	54.6 mm deep	3.25 in deep	82.6 mm deep
⑨	0.20	5.10	0.30	7.60	0.40	10.2	0.50	12.7
⑩	1.13	28.6	1.75	44.5	2.00	50.8	3.00	76.2
⑪	0.03	0.80	0.03	0.80	0.03	0.80	0.03	0.80
⑫	1.25	31.8	2.25	57.2	3.00	76.2	4.50	114.3
⑬	5/8-18 UNF-3B	M-16 X 2-4H	1 1/4-12 UNF-3B	M33 X 2-4H	1 3/4-12 UNF-3B	M42 X 2-4H	2 3/4-8 UNF-3B	M72 X 2-4H
	.87 in deep	22.1 mm deep	1.40 in deep	35.6 mm deep	1.75 in deep	44.5 mm deep	2.75 in deep	69.8 mm deep

**SPECIFICATIONS**

PARAMETERS	MODEL				
	1110	1110	1120	1132	1140
	CAPACITY				
U.S. Models (lbf)	300, 500, 1K, 2K, 3K	5K, 10K	25K, 50K	100K	200K
Metric Models (kN)	1.5, 2.5, 5, 10	25, 50	100, 250	450	900
<b>ACCURACY – (MAX ERROR)</b>					
Static Error Band-% FS	±0.02	±0.03	±0.04	±0.05	±0.06
Nonlinearity-% FS	±0.03	±0.04	±0.04	±0.05	±0.06
Hysteresis-% FS	±0.02	±0.04	±0.05	±0.05	±0.06
Nonrepeatability-% RO	±0.01	±0.01	±0.01	±0.01	±0.01
Creep, in 20 min-%	±0.025	±0.025	±0.025	±0.025	±0.025
Side Load Sensitivity-%	±0.1	±0.1	±0.1	±0.1	±0.1
Eccentric Load Sensitivity-%/in	±0.1	±0.1	±0.1	±0.1	±0.1
<b>TEMPERATURE</b>					
Compensated Range-°F	15 to 115	15 to 115	15 to 115	15 to 115	15 to 115
Compensated Range-°C	-10 to 45	-10 to 45	-10 to 45	-10 to 45	-10 to 45
Operating Range-°F	-65 to 200	-65 to 200	-65 to 200	-65 to 200	-65 to 200
Operating Range-°C	-55 to 90	-55 to 90	-55 to 90	-55 to 90	-55 to 90
Effect on Zero-%RO/°F – MAX	±0.0004	±0.0004	±0.0004	±0.0004	±0.0004
Effect on Zero-%RO/°C – MAX	±0.0007	±0.0007	±0.0007	±0.0007	±0.0007
Effect on Output-%/°F – MAX	±0.0008	±0.0008	±0.0008	±0.0008	±0.0008
Effect on Output-%/°C – MAX	±0.0015	±0.0015	±0.0015	±0.0015	±0.0015
<b>ELECTRICAL</b>					
Rated Output-mV/V (Nominal)	2.0	4.0	4.0	4.0	4.0
Excitation Voltage-VDC MAX	20	20	20	20	20
Bridge Resistance-Ohm (Nominal)	350	350	350	350	350
Zero Balance-% RO	±1.0	±1.0	±1.0	±1.0	±1.0
Insulation Resistance-Megohm	5000	5000	5000	5000	5000
<b>MECHANICAL</b>					
Safe Overload-% CAP	±150	±150	±150	±150	±150
Deflection @ RO-inch	0.002	0.004	0.004	0.006	0.012
Deflection @ RO-mm	0.05	0.10	0.10	0.15	0.20
Base Part Number (Ref) (Metric)	B101 (m)	B102 (m)	B103 (m)	B112 (m)	B105 (m)
Natural Frequency-kHz	2.7, 3.5, 4.9, 7.0, 8.5	4.7, 6.6	4.6, 5.0	4.0	3.5
Weight-lb	3.3	7.3	21.5	52	146
Weight-kg	1.5	3.3	9.8	24	66
Connector	PC04E-10-6P	PC04E-10-6P	PC04E-10-6P	PC04E-10-6P	PC04E-10-6P
Calibration	T & C	T & C	T & C	T & C	T & C

**OPTIONS\*Page 169**

- Compression Overload Protection
- Integral 10 ft Cable
- Bayonet Connector
- Multiple Bridge
- Standardized Output
- Connector Protection
- See Transducer Electronic Data Sheet (TEDS) Page 149

**STANDARD CONFIGURATIONS**

- 10 ft Integral Cable (11xxAJ-nn)
- <or> PC04E-10-6P Connector (11xxAF-nn)
- <or> PTO2E-10-6P Bayonet Connector (11xxACK-nn)

**ACCESSORIES\*Page 172**

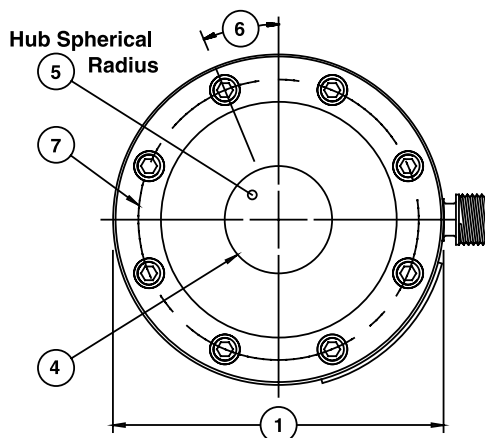
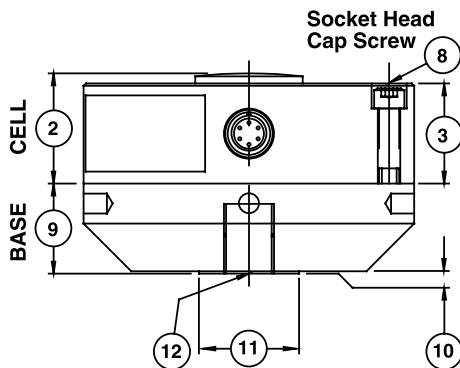
- Mating Connector
- Instrumentation
- Loading Hardware

\*See appendix for more technical information

# Model 1101 Ultra Precision Compression-Only Load Cell (U.S. & Metric)

Why the Interface model 1101 Ultra Precision Compression-Only Load Cell is the best in class:

- Proprietary Interface temperature compensated strain gages
- Performance to .02%
- High output – to 4 mV/V
- Eccentric load compensated
- Low deflection
- .0008%/°F (.0015%/°C) temp. effect on output
- Shunt calibration
- High precision base included
- Barometric compensation



## DIMENSIONS

See Drawing	MODEL			
	1111		1121	
	CAPACITY			
	U.S. (lbf)	Metric (kN)	U.S. (lbf)	Metric (kN)
	1K, 2K, 5K, 10K	5, 10, 25, 50	25K 50K	100 250
	inch	mm	inch	mm
①	4.13	104.8	6.06	153.9
②	1.38	34.9	1.75	44.5
③	1.25	31.7	1.63	41.4
④	1.34	34.0	2.65	67.3
⑤	6.00	152.4	8.00	203.2
⑥	22.5°	22.5°	15.0°	15.0°
⑦	3.50	88.9	5.13	130.3
⑧	8 places		12 places	
⑨	1.13	28.7	1.75	44.5
⑩	0.03	0.80	0.03	0.80
⑪	1.25	31.8	2.25	57.2
⑫	5/8-18 UNF-3B	M-16 X 2-4H	1 1/4-12 UNF-3B	M33 X 2-4H
	.87 in deep	22.1 mm deep	1.40 in deep	35.6 mm deep

**SPECIFICATIONS**

PARAMETERS	MODEL		
	1111	1111	1121
	CAPACITY		
U.S. Models (lbf)	1K, 2K	5K, 10K	25K, 50K
Metric Models (kN)	5, 10	25, 50	100, 250
<b>ACCURACY – (MAX ERROR)</b>			
Static Error Band-% FS	±0.02	±0.03	±0.03
Nonlinearity-% FS	±0.03	±0.04	±0.04
Hysteresis-% FS	±0.02	±0.04	±0.04
Nonrepeatability-% RO	±0.01	±0.01	±0.01
Creep, in 20 min-%	±0.025	±0.025	±0.025
Side Load Sensitivity-%	±0.1	±0.1	±0.1
Eccentric Load Sensitivity-%/in	±0.1	±0.1	±0.1
<b>TEMPERATURE</b>			
Compensated Range-°F	15 to 115	15 to 115	15 to 115
Compensated Range-°C	-10 to 45	-10 to 45	-10 to 45
Operating Range-°F	-65 to 200	-65 to 200	-65 to 200
Operating Range-°C	-55 to 90	-55 to 90	-55 to 90
Effect on Zero-%RO/°F – MAX	±0.0004	±0.0004	±0.0004
Effect on Zero-%RO/°C – MAX	±0.0007	±0.0007	±0.0007
Effect on Output-%/°F – MAX	±0.0008	±0.0008	±0.0008
Effect on Output-%/°C – MAX	±0.0015	±0.0015	±0.0015
<b>ELECTRICAL</b>			
Rated Output-mV/V (Nominal)	2.0	4.0	4.0
Excitation Voltage-VDC MAX	20	20	20
Bridge Resistance-Ohm (Nominal)	350	350	350
Zero Balance-% RO	±1.0	±1.0	±1.0
Insulation Resistance-Megohm	5000	5000	5000
<b>MECHANICAL</b>			
Safe Overload-% CAP	±150	±150	±150
Deflection @ RO-inch	0.002	0.004	0.004
Deflection @ RO-mm	0.05	0.10	0.10
Base Part Number (Ref)	B101	B102	B103
Natural Frequency-kHz	4.5, 6.4	4.3, 6.1	4.1, 4.6
Weight-lb	3.3	7.3	21.5
Weight-kg	1.5	3.3	9.8
Connector	PC04E-10-6P	PC04E-10-6P	PC04E-10-6P
Calibration	Compression	Compression	Compression

**OPTIONS\* Page 169**

- Compression Overload Protection
- Integral 10 ft Cable
- Multiple Bridge
- Bayonet Connector
- Standardized Output
- Connector Protection
- See Transducer Electronic Data Sheet (TEDS) Page 149

**STANDARD CONFIGURATIONS**

- 10 ft Integral Cable (11xxEX-nn)
- <or> PC04E-10-6P Connector (11xxHL-nn)
- <or> PTO2E-10-6P Bayonet Connector (11xxBAY-nn)

**ACCESSORIES\* Page 172**

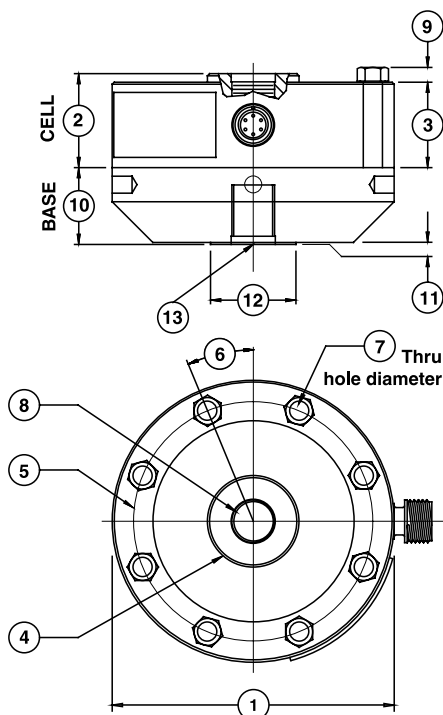
- Mating Connector
- Instrumentation
- Loading Hardware

\*See appendix for more technical information

# Model 1200 Standard Load Cell (U.S. & Metric)

Why the Interface model 1200 Standard Load Cell is the best in class:

- Proprietary Interface temperature compensated strain gages
- Performance to .04%
- High output – to 4 mV/V
- Eccentric Load compensated
- .0008%/°F (.0015%/°C) temp. effect on output
- Low deflection
- Shunt calibration
- Barometric compensation
- Tension & compression
- Compact size



## DIMENSIONS

See Drawing	MODEL					
	1210		1220		1232	
	CAPACITY					
	U.S. (lbf)	Metric (kN)	U.S. (lbf)	Metric (kN)	U.S. (lbf)	Metric (kN)
	300, 500, 1K, 2K, 3K, 5K, 10K	1.5, 2.5, 5, 10, 25, 50	25K, 50K	100, 250	100K	450
	inch	mm	inch	mm	inch	mm
①	4.13	104.8	6.06	153.9	8.00	203.2
②	1.38	34.9	1.75	44.5	2.50	63.5
③	1.25	31.7	1.63	41.4	2.25	57.2
④	1.34	34.0	2.65	67.3	3.76	95.2
⑤	3.50	88.9	5.13	130.3	6.50	165.1
⑥	22.5°	22.5°	15.0°	15.0°	11.25°	11.25°
⑦	0.28	7.10	0.41	10.4	0.53	13.5
	8 places		12 places		16 places	
⑧	5/8-18 UNF-3B 1.12 in deep	M16 X 2-4H 28.4 mm deep	1 1/4-12 UNF-3B 1.40 in deep	M33 X 2-4H 35.6 mm deep	1 3/4-12 UN-3B 2.15 in deep	M42 X 2-4H 54.6 mm deep
⑨	0.20	5.10	0.30	7.60	0.40	10.2
⑩	1.13	28.6	1.75	44.5	2.00	50.8
⑪	0.03	0.80	0.03	0.80	0.03	0.80
⑫	1.25	31.8	2.25	57.2	3.00	76.2
⑬	5/8-18 UNF-3B .87 in deep	M16 X 2-4H 22.1 mm deep	1 1/4-12 UNF-3B 1.40 in deep	M33 X 2-4H 35.6 mm deep	1 3/4-12 UNF-3B 1.75 in deep	M42 Xx 2-4H 44.5 mm deep

**SPECIFICATIONS**

PARAMETERS	MODEL			
	1210	1210	1220	1232
	CAPACITY			
U.S. Models (lbf)	300, 500, 1K, 2K, 3K	5K, 10K	25K, 50K	100K
Metric Models (kN)	1.5, 2.5, 5, 10	25, 50	100, 250	450
<b>ACCURACY – (MAX ERROR)</b>				
Static Error Band-% FS	±0.04	±0.05	±0.05	±0.06
Nonlinearity-% FS	±0.04	±0.05	±0.05	±0.05
Hysteresis-% FS	±0.03	±0.05	±0.06	±0.06
Nonrepeatability-% RO	±0.01	±0.01	±0.01	±0.01
Creep, in 20 min-%	±0.025	±0.025	±0.025	±0.025
Side Load Sensitivity-%	±0.25	±0.25	±0.25	±0.25
Eccentric Load Sensitivity-%/in	±0.25	±0.25	±0.25	±0.25
<b>TEMPERATURE</b>				
Compensated Range-°F	15 to 115	15 to 115	15 to 115	15 to 115
Compensated Range-°C	-10 to 45	-10 to 45	-10 to 45	-10 to 45
Operating Range-°F	-65 to 200	-65 to 200	-65 to 200	-65 to 200
Operating Range-°C	-55 to 90	-55 to 90	-55 to 90	-55 to 90
Effect on Zero-%RO/°F – MAX	±0.0008	±0.0008	±0.0008	±0.0008
Effect on Zero-%RO/°C – MAX	±0.0015	±0.0015	±0.0015	±0.0015
Effect on Output-%/°F – MAX	±0.0008	±0.0008	±0.0008	±0.0008
Effect on Output-%/°C – MAX	±0.0015	±0.0015	±0.0015	±0.0015
<b>ELECTRICAL</b>				
Rated Output-mV/V (Nominal)	2.0	4.0	4.0	4.0
Excitation Voltage-VDC – MAX	20	20	20	20
Bridge Resistance-Ohm (Nominal)	350	350	350	350
Zero Balance-% RO	±1.0	±1.0	±1.0	±1.0
Insulation Resistance-Megohm	5000	5000	5000	5000
<b>MECHANICAL</b>				
Safe Overload-% CAP	±150	±150	±150	±150
Deflection @ RO-inch	0.001	0.002	0.002	0.003
Deflection @ RO-mm	0.03	0.05	0.05	0.08
Optional Base-P/N (Metric)	B101 (M)	B102 (M)	B103 (M)	B112 (M)
Natural Frequency-kHz	3.9, 5.0, 6.9, 9.8	6.6, 9.4	6.5, 7.0	5.8
Weight-lb	1.5	3.3	9.5	26
Weight-kg	0.7	1.5	4.3	11.8
Connector	PC04E-10-6P	PC04E-10-6P	PC04E-10-6P	PC04E-10-6P
Calibration	T & C	T & C	T & C	T & C

**OPTIONS\* Page 169**

- Base (Recommended)
- Compression Overload Protection
- Integral 10 ft Cable
- Bayonet Connector
- Multiple Bridge
- Standardized Output
- Connector Protection
- See Transducer Electronic Data Sheet (TEDS) Page 149

**ACCESSORIES\* Page 172**

- Mating Connector
- Instrumentation
- Loading Hardware

\*See appendix for more technical information

**STANDARD CONFIGURATIONS**

- 10 ft Integral Cable (12xxAJ-nn)
- <or> PC04E-10-6P Standard Connector (12xxAF-nn)
- <or> PT02E-10-6P Bayonet Connector (12xxACK-nn)
- Installed Base (-B suffix)



Shown with optional base

# Model 1200 Standard High Capacity Load Cell (U.S. & Metric)

LOAD

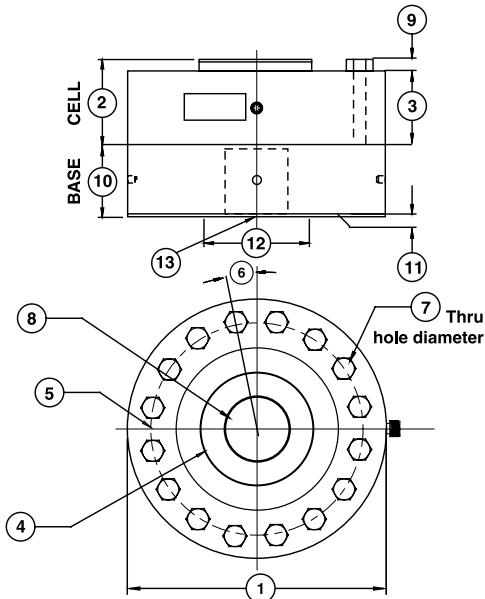
Why the Interface model 1200 Standard High Capacity Load Cell is the best in class:

- Proprietary Interface temperature compensated strain gages
- Performance to .07%
- High output – to 4 mV/V
- Eccentric Load compensated
- .0008%/°F (.0015%/°C) temp. effect on output
- Low deflection
- Shunt calibration
- Barometric compensation
- Tension & compression
- Compact size



Shown with optional base

## DIMENSIONS



See Drawing	MODEL											
	1240		1244		1250		1260		1280		1290	
	CAPACITY											
	U.S. (lbf)	Metric (kN)	U.S. (lbf)	Metric (kN)	U.S. (lbf)	Metric (kN)	U.S. (lbf)	Metric (kN)	U.S. (lbf)	Metric (kN)	U.S. (lbf)	Metric (kN)
	200K	900	270K	1200	400K	1800	600K	2700	1000K	4500	2000K	9000
	inch	mm	inch	mm	inch	mm	inch	mm	inch	mm	inch	mm
①	11.0	279.0	11.0	279.0	12.0	304.8	15.5	393.7	20.50	520.7	26.00	660.4
②	3.50	88.9	4.00	101.6	4.50	114.3	5.50	139.7	6.25	158.8	7.75	196.9
③	3.00	76.2	3.25	82.6	4.25	108.0	5.00	203.2	6.00	152.4	7.50	190.5
④	4.81	122.2	4.81	122.2	5.68	144.3	7.73	196.3	10.55	267.9	13.79	350.3
⑤	9.00	228.6	8.75	222.2	9.50	241.3	12.68	322.1	16.5	419.1	20.50	520.7
⑥	11.25°	11.25°	11.25°	11.25°	9.00°	9.00°	7.50°	7.50°	6.43°	6.43°	5.63°	5.63°
⑦	0.65	16.5	0.79	20.1	0.79	20.1	0.94	23.9	1.06	27.0	1.31	33.3
	16 places		16 places		20 places		24 places		28 places		32 places	
⑧	2 3/4-8 UN-3B	M72 X 2-4H	2 3/4-8 UN-3B	M72 X 2-4H	3 1/2-8 UN-3B	M90 X 3-4H	4 1/4-8 UN-3B	M120 X 4-4H	6.00-8 UN-3B	M150 X 4-4H	8.00-8 UN-3B	M200 X 4-4H
	3.25 in deep	82.6mm deep	3.75 in deep	95.3mm deep	3.75 in deep	95.3mm deep	4.25 in deep	108.0mm deep	5.63 in deep	130mm deep	7.00 in deep	178mm deep
⑨	0.50	12.7	0.50	12.7	0.59	15.0	0.69	17.5	1.00	25.4	1.25	31.3
⑩	3.00	76.2	4.00	101.6	4.50	114.3	5.00	127.0	7.00	177.8	9.00	228.6
⑪	0.03	0.80	0.03	0.80	0.03	0.80	0.03	0.80	0.03	0.80	0.10	2.5
⑫	4.50	114.3	4.50	114.3	6.00	152.4	7.75	196.9	10.55	267.9	14.00	355.6
⑬	2 3/4-8 UNF-3B	M72 X 2-4H	2 3/4-8 UNF-3B	M72 X 2-4H	3 1/2-8 UN-3B	M90 X 3-4H	4 1/4-8 UN-3B	M120 X 4-4H	6.00-8 UN-3B	M150 X 4-4H	8.00-8 UN-3B	M200 X 4-4H
	2.75 in deep	69.8mm deep	2.75 in deep	69.8mm deep	3.75 in deep	95.3mm deep	4.25 in deep	108.0mm deep	6.38 in deep	162mm deep	7.25 in deep	184mm deep

Specifications subject to change. Call factory for additional information on the 1250 and 1260.



**SPECIFICATIONS**

PARAMETERS	MODEL					
	1240	1244	1250	1260	1280	1290
	CAPACITY					
U.S. Models (lbf)	200K	270K	400K	600K	1000K	2000K
Metric Models (kN)	900	1200	1800	2700	4500	9000
<b>ACCURACY – (MAX ERROR)</b>						
Static Error Band-% FS	±0.07	±0.07	±0.12	±0.12	±0.15	±0.20
Nonlinearity-% FS	±0.07	±0.08	±0.12	±0.12	±0.15	±0.20
Hysteresis-% FS	±0.07	±0.08	±0.12	±0.12	±0.15	±0.20
Nonrepeatability-% RO	±0.01	±0.02	±0.02	±0.02	±0.02	±0.02
Creep, in 20 min-%	±0.025	±0.025	±0.025	±0.025	±0.025	±0.025
Side Load Sensitivity-%	±0.25	±0.25	±0.25	±0.25	±0.25	±0.25
Eccentric Load Sensitivity-%/in	±0.25	±0.25	±0.25	±0.25	±0.25	±0.50
<b>TEMPERATURE</b>						
Compensated Range-°F	15 to 115	15 to 115	15 to 115	15 to 115	15 to 115	15 to 115
Compensated Range-°C	-10 to 45	-10 to 45	-10 to 45	-10 to 45	-10 to 45	-10 to 45
Operating Range-°F	-65 to 200	-65 to 200	-65 to 200	-65 to 200	-65 to 200	-65 to 200
Operating Range-°C	-55 to 90	-55 to 90	-55 to 90	-55 to 90	-55 to 90	-55 to 90
Effect on Zero-%RO/°F – MAX	±0.0008	±0.0008	±0.0008	±0.0008	±0.0008	±0.0008
Effect on Zero-%RO/°C – MAX	±0.0015	±0.0015	±0.0015	±0.0015	±0.0015	±0.0015
Effect on Output-%/°F – MAX	±0.0008	±0.0008	±0.0008	±0.0008	±0.0008	±0.0008
Effect on Output-%/°C – MAX	±0.0015	±0.0015	±0.0015	±0.0015	±0.0015	±0.0015
<b>ELECTRICAL</b>						
Rated Output-mV/V (Nominal)	4.0	4.0	4.0	4.0	4.0	4.0**
Excitation Voltage-VDC MAX	20	20	20	20	20	20
Bridge Resistance-Ohm (Nominal)	350	350	350	350	350	350
Zero Balance-% RO	±1.0	±1.0	±1.0	±1.0	±1.0	±1.0
Insulation Resistance-Megohm	5000	5000	5000	5000	5000	5000
<b>MECHANICAL</b>						
Safe Overload-% CAP	±150	±150	±150	±150	±150	±150
Deflection @ RO-inch	0.005	0.006	0.007	0.008	0.008	0.010
Deflection @ RO-mm	0.13	0.15	0.18	0.2	0.2	0.25
Optional Base-P/N (Metric)	B105 (M)	B116 (M)	B121 (M)	B122 (M)	B123 (M)	B125 (M)
Natural Frequency-kHz	4.9	5.0	5.5	5.5	5.5	5.5
Weight-lb	68	70	100	200	450	860
Weight-kg	30.9	31.8	45	90	205	390
Connector	PC04E-10-6P	PC04E-10-6P	PC04E-10-6P	PC04E-10-6P	PC04E-10-6P	PC04E-10-6P
Calibration	T & C	T & C	T & C	T & C	T & C	T & C

**OPTIONS\* Page 169**

Base (Recommended)  
 Integral 10 ft Cable  
 Bayonet Connector  
 Multiple Bridge  
 Standardized Output  
 See Transducer Electronic Data Sheet (TEDS) Page 149

**STANDARD CONFIGURATIONS**

10 ft Integral Cable (12xxAJ-nn)  
 <or> PC04E-10-6P Standard Connector (12xxAF-nn)  
 <or> PT02E-10-6P Bayonet Connector (12xxCDS-nn)  
 Installed Base (-B suffix)

\*\*Calibrated to 1000K Only

**ACCESSORIES\* Page 172**

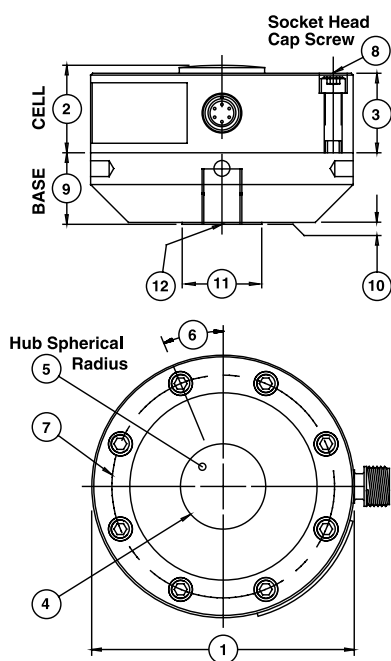
Mating Connector  
 Instrumentation  
 Loading Hardware

\*See appendix for more technical information

# Model 1201 Standard Load Cell Compression-Only (U.S. & Metric)

Why the Interface model 1201 Standard Load Cell Compression-Only is the best in class:

- Performance to 0.03%
- High output – to 4 mV/V
- Eccentric load compensated
- .0008%/°F (.0013%/°C) temp. effect on output
- Low deflection
- Shunt calibration
- Barometric compensation
- Compact size
- Counterbored mounting holes



## DIMENSIONS

See Drawing	MODEL									
	1211		1221		1231		1241		1243	
	CAPACITY									
	U.S. (lbf)	Metric (kN)	U.S. (lbf)	Metric (kN)	U.S. (lbf)	Metric (kN)	U.S. (lbf)	Metric (kN)	U.S. (lbf)	Metric (kN)
	1K, 2K, 5K, 10K	5, 10, 25, 50	25K, 50K	125, 250	100K	450	200K	900	300K, 400K	1350, 1800
	inch	mm	inch	mm	inch	mm	inch	mm	inch	mm
①	4.13	104.8	4.75	120.7	7.50	190.5	8.25	210	11.0	279.0
②	1.38	34.9	1.75	44.5	2.25	57.2	3.25	82.5	3.50	88.9
③	1.25	31.7	1.63	41.4	2.00	50.8	3.00	76.2	3.00	76.2
④	1.34	34.0	1.57	39.9	3.13	79.5	3.16	80.3	4.81	122.2
⑤	6.00	152.4	6.00	152.4	8.00	203.2	12.0	304.8	18.0	457
⑥	22.5°	22.5°	45.0°	45.0°	15.0°	15.0°	15.0°	15.0°	11.25°	11.25°
⑦	3.50	88.9	4.00	101.6	6.25	158.8	6.75	171.5	9.00	229
⑧	1/4-28x1 1/4		5/16-24x1 3/4		7/16-20x2		5/8-18x3		5/8-18x3.5	
	8 places		4 places		12 places		12 places		16 places	
⑨	1.13	28.7	1.25	31.8	2.00	50.8	2.50	63.5	3.50	88.9
⑩	0.03	0.80	0.03	0.80	0.03	0.80	0.03	0.80	0.03	0.80
⑪	1.25	31.8	2.00	50.8	3.00	76.2	3.00	76.2	4.50	114
⑫	5/8-18 UNF-3B	M16 X 2-4H	1/2-20 UNF-3B	M16 X 2-6H	1 3/4-12 UNF-3B	M42 X 2-4H	3/4-16 UNF-3B	M27 X 2-4H	1 1/2-12 UNF-2B	M42 X 2-4H
	0.87 in deep	22.1 mm deep	0.88 in deep	22.4 mm deep	1.75 in deep	44.5 mm deep	1.50 in deep	38.1 mm deep	2.00 in deep	50.8 mm deep

**SPECIFICATIONS**

PARAMETERS	MODEL					
	1211	1211	1221	1231	1241	1243
	CAPACITY					
U.S. Models (lbf)	1K, 2K	5K, 10K	25K, 50K	100K	200K	300K, 400K
Metric Models (kN)	5, 10	25, 50	125, 250	450	900	1350, 1800
<b>ACCURACY – (MAX ERROR)</b>						
Static Error Band-% FS	±0.03	±0.04	±0.04	±0.04	±0.05	±0.05
Nonlinearity-% FS	±0.03	±0.04	±0.05	±0.05	±0.05	±0.05
Hysteresis-% FS	±0.03	±0.04	±0.05	±0.05	±0.05	±0.05
Nonrepeatability-% RO	±0.01	±0.01	±0.01	±0.01	±0.01	±0.01
Creep, in 20 min-%	±0.025	±0.025	±0.025	±0.025	±0.025	±0.025
Side Load Sensitivity-%	±0.25	±0.25	±0.25	±0.25	±0.25	±0.25
Eccentric Load Sensitivity-%/in	±0.25	±0.25	±0.25	±0.25	±0.25	±0.25
<b>TEMPERATURE</b>						
Compensated Range-°F	15 to 115	15 to 115	15 to 115	15 to 115	15 to 115	15 to 115
Compensated Range-°C	-10 to 45	-10 to 45	-10 to 45	-10 to 45	-10 to 45	-10 to 45
Operating Range-°F	-65 to 200	-65 to 200	-65 to 200	-65 to 200	-65 to 200	-65 to 200
Operating Range-°C	-55 to 90	-55 to 90	-55 to 90	-55 to 90	-55 to 90	-55 to 90
Effect on Zero-%RO/°F – MAX	±0.0008	±0.0008	±0.0008	±0.0008	±0.0008	±0.0008
Effect on Zero-%RO/°C – MAX	±0.0015	±0.0015	±0.0015	±0.0015	±0.0015	±0.0015
Effect on Output-%/F – MAX	±0.0008	±0.0008	±0.0008	±0.0008	±0.0008	±0.0008
Effect on Output-%/F – MAX	±0.0015	±0.0015	±0.0015	±0.0015	±0.0015	±0.0015
<b>ELECTRICAL</b>						
Rated Output-mV/V (Nominal)	2.0	4.0	4.0	4.0	4.0	4.0
Excitation Voltage-VDC – MAX	20	20	20	20	20	20
Bridge Resistance-Ohm (Nominal)	350	350	350	350	350	350
Zero Balance-% RO	±1.0	±1.0	±1.0	±1.0	±1.0	±1.0
Insulation Resistance-Megohm	5000	5000	5000	5000	5000	5000
<b>MECHANICAL</b>						
Safe Overload-% CAP	±150	±150	±150	±150	±150	±150
Deflection @ RO-inch	0.001	0.002	0.002	0.003	0.004	0.005
Deflection @ RO-mm	0.03	0.05	0.05	0.08	0.10	0.13
Optional Base-P/N	B101	B102	B106	B104	B108	B124
Natural Frequency-kHz	6.4, 9.0	6.1, 8.6	8.2, 11.7	7.6	6.7	5.0
Weight-lb	1.5	3.3	6.8	13.5	40	74
Weight-kg	0.7	1.5	3.1	6	18	34
Connector	PC04E-10-6P	PC04E-10-6P	PC04E-10-6P	PC04E-10-6P	PC04E-10-6P	PC04E-10-6P
Calibration	Compression	Compression	Compression	Compression	Compression	Compression

**OPTIONS\* Page 169**

- Base (Recommended)
- Compression Overload Protection
- Integral 10 ft Cable
- Bayonet Connector
- Multiple Bridge
- Standardized Output
- Connector Protection
- See Transducer Electronic Data Sheet (TEDS) Page 149

**STANDARD CONFIGURATIONS**

- 10 ft Integral Cable (12xxEX-nn)
- <or> PC04E-10-6P Standard Connector (12xxHL-nn)
- <or> PT02E-10-6P Bayonet Connector (12xxBAY-nn)
- Installed Base (-B suffix)
- Counterbored Mounting Holes Except 1243

**ACCESSORIES\* Page 172**

- Mating Connector
- Instrumentation
- Loading Hardware

\*See appendix for more technical information

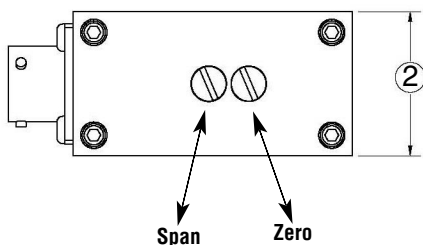
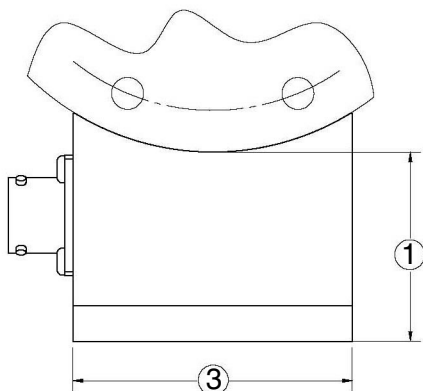


Shown with optional base

# Model 1200 Standard 3-Wire Amplified Load Cell Universal or Compression-Only (U.S. & Metric)

Why the Interface model 1200 Standard 3-Wire Amplified Load Cell is the best in class:

- Proprietary Interface temperature compensated strain gages
- Eccentric load compensated
- Low deflection
- Shunt calibration
- Tension & compression
- Compact size
- 3-wire internal amp choice of 4-20 mA,  $\pm 5V$ ,  $\pm 10V$ , 0-5V, 0-10V



## DIMENSIONS

See Drawing	Amplifier Housing	
	inch	mm
①	1.48	37.6
②	1.13	28.7
③	2.18	55.4

Load cell dimensions same as Standard 1200 series, See pages 18-23.

**SPECIFICATIONS**

PARAMETERS	MODEL			
	Universal	1210	1210	1220
Compression-Only	1211**	1211	1221	1231
CAPACITY				
U.S. Models (lbf)	300, 500, 1K, 2K	5K, 10K	25K, 50K	100K
Metric Models (kN)	1.5, 2.5, 5, 10	25, 50	100, 250	450
<b>ACCURACY – (MAX ERROR)</b>				
Static Error Band-% FS	±0.06	±0.07	±0.07	±0.07
Nonlinearity-% FS	±0.06	±0.07	±0.07	±0.07
Hysteresis-% FS	±0.03	±0.05	±0.06	±0.06
Nonrepeatability-% RO	±0.02	±0.02	±0.02	±0.02
Creep, in 20 min-%	±0.025	±0.025	±0.025	±0.025
Side Load Sensitivity-%	±0.25	±0.25	±0.25	±0.25
Eccentric Load Sensitivity-%/in	±0.25	±0.25	±0.25	±0.25
<b>TEMPERATURE</b>				
Compensated Range-°F	15 to 115	15 to 115	15 to 115	15 to 115
Compensated Range-°C	-10 to 45	-10 to 45	-10 to 45	-10 to 45
Operating Range-°F	-20 to 185	-20 to 185	-20 to 185	-20 to 185
Operating Range-°C	-29 to 85	-29 to 85	-29 to 85	-29 to 85
Effect on Zero-%RO/°F – MAX	±0.005	±0.003	±0.003	±0.003
Effect on Zero-%RO/°C – MAX	±0.009	±0.005	±0.005	±0.005
Effect on Output-%/°F – MAX	±0.005	±0.005	±0.005	±0.005
Effect on Output-%/°C – MAX	±0.009	±0.009	±0.009	±0.009
<b>ELECTRICAL</b>				
Rated Output	4-20 mA, ±5V, ±10V, 0-5V, 0-10V			
Supply Voltage-VDC – MAX	11 to 28	11 to 28	11 to 28	11 to 28
Span Adjust Range-% RO	±10	±10	±10	±10
Zero Adjust Range-% RO	7	3.5	3.5	3.5
Insulation Resistance-Megohm	5000	5000	5000	5000
<b>MECHANICAL</b>				
Safe Overload-% CAP	±150	±150	±150	±150
Deflection @ RO-inch	0.001	0.002	0.002	0.003
Deflection @ RO-mm	0.03	0.05	0.05	0.08
Optional Base-P/N (Metric)	B101 (M)	B102 (M)	B103 (M)	B112 (M)
Bandwidth Hz	200	200	200	200
Weight-lb	1.5	3.3	9.5	26
Weight-kg	0.7	1.5	4.3	11.8
Connector	PT02E-10-6P	PT02E-10-6P	PT02E-10-6P	PT02E-10-6P
Calibration	T & C	T & C	T & C	T & C

\*\*300 & 500 available in Universal only

**OPTIONS\* Page 169**

- Base (Recommended)
- Compression Overload Protection
- Multiple Bridge
- Connector Protection
- See Transducer Electronic Data Sheet (TEDS) Page 149

**ACCESSORIES\***

- Mating Connector
- Instrumentation
- Loading Hardware

\*See appendix for more technical information

**STANDARD CONFIGURATIONS**

- PT02E-10-6P Bayonet Connector
- Installed Base (-B suffix)

CONNECTOR PINOUT	
PIN	FUNCTION
A	+SUPPLY
B	SUPPLY GND
C	OUTPUT GND
D	OUTPUT
E	SHUNT CAL
F	SHUNT CAL

# INTERFACE FORCE & TORQUE CALIBRATION LAB

## Why Interface

- Interface Gold Standard™ Calibration Software used for data collection and analysis
- Highly trained and experienced calibration staff
- Test data permanently archived
- Calibration of all manufacturers' load cells
- System calibrations with any combination of load cells/instrumentation
- Dependable 5-day turnaround (2-day expedited service available)
- Customer contact within 24 hours after receiving parts
- Industries most complete calibration certificate

## FORCE



- Direct traceability to NIST
- A2LA accredited force lab
- 50g to 1 million lbf capacity
- Seven hydraulic systems
- Six deadweight systems
- Only NIST certified Gold Standard™ Load Cells used as reference standards

## Services

### Calibration

- MIL-STD-45662A, ANSI/NCSL Z540-1
- ASTM E74, Gold Standard™
- Custom calibrations to fit customer needs
- Individual load cell & system calibrations
- Hydraulic force systems perform tension and compression calibrations with one setup
- Custom adaptors are made in house to customer specifications, which allows us to simulate real world applications

### Repair

- Dependable seven day (or less) turnaround for repair services (includes calibration)
- Connector replacement on any manufacturers' load cell (if available)
- Highly trained & experienced repair technicians
- Complete load cell evaluation prior to repair and calibration free of charge

## TORQUE



- Traceable to National Metrology Institutes
- Capacities to 50K lb-in
- Hydraulic & deadweight systems

**CONTACT: Repair/Recal Department • 800-947-5598 x152**

# Model 1700 Flange Load Cell

Why the Interface model 1700 Flange Load Cell is the best in class:

- Standard flange design mounts directly to cylinders
- Proprietary Interface temperature compensated strain gages
- Performance to .05%
- Eccentric load compensated
- .0008%/°F (.0015%/°C) temp. effect on output
- Low deflection
- Shunt calibration
- Barometric compensation
- Tension & compression



## SPECIFICATIONS

### ACCURACY – (MAX ERROR)

Nonlinearity - % FS .....	±0.04
Hysteresis - % FS .....	±0.03
Nonrepeatability - % RO .....	±0.01
Creep, in 20 min - % .....	±0.025

### TEMPERATURE

Compensated Range - °F.....	-15 to 115
Compensated Range - °C.....	-10 to 45
Operating Range - °F.....	-65 to 200
Operating Range - °C.....	-55 to 90
Effect on Output - %/°F – MAX .....	±0.0008
Effect on Output - %/°C – MAX .....	±0.0015
Effect on Zero - % RO/°F – MAX.....	±0.0008
Effect on Zero - % RO/°C – MAX.....	±0.0015

### ELECTRICAL

Rated Output- mV/V (nominal) .....	2.0
Zero Balance - %RO .....	±1.0
Bridge Resistance – Ohm (nominal) .....	350 ±3.5
Excitation Voltage – MAX.....	20 VDC
Insulation Resistance – Megohm.....	5000

### MECHANICAL

Calibration .....	Tension
Safe Overload - % CAP .....	±150 (Model 1710) ±300 (Model 1720 & 1730)
Length – ft .....	5

## STANDARD CONFIGURATIONS

- 10 ft Integral Cable (17xxAJ-nn)
- <or> PC04E-10-6P Standard Connector (17xxAF-nn)
- <or> PT02E-10-6P Bayonet Connector (17xxACK-nn)

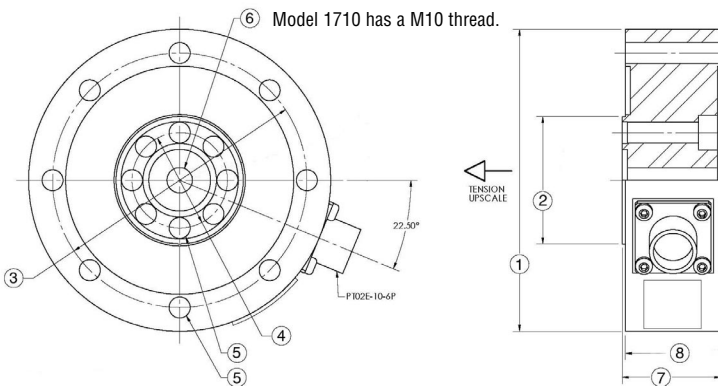
## OPTIONS\* Page 169

- Integral 10 ft Cable
- Bayonet Connector
- Multiple Bridge
- Standardized Output
- Connector Protection
- Overload Protection
- See Transducer Electronic Data Sheet (TEDS) Page 149

## ACCESSORIES\* Page 172

Instrumentation

\*See appendix for more technical information



## DIMENSIONS

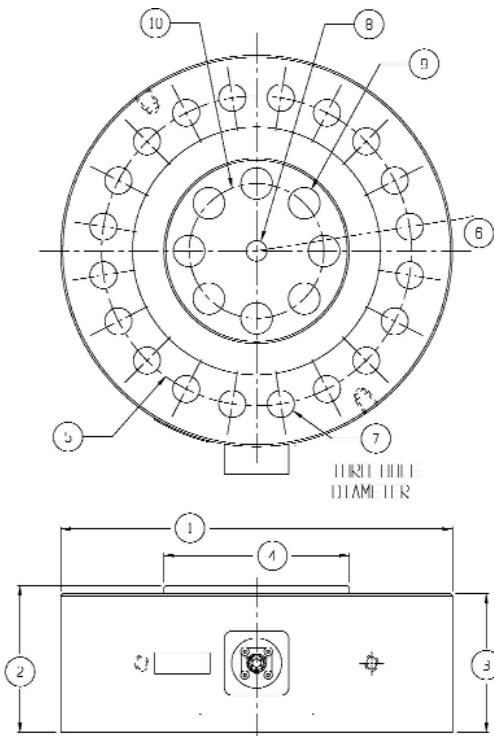
See Drawing	MODEL					
	*1710		1720		1730	
	CAPACITY					
	U.S. (lbf)	Metric (kN)	U.S. (lbf)	Metric (kN)	U.S. (lbf)	Metric (kN)
	550, 1.1K	2.5kN, 5kN	2.2K, 4.5K	10kN, 20kN	11K, 14K	50kN, 63kN
	inch	mm	inch	mm	inch	mm
①	3.03	77.0	3.74	95.0	3.98	101.1
②	1.07	23.3	1.57	39.9	1.57	39.9
③	2.63	67.0	3.15	80.0	3.39	86.1
④	0.76	20.0	1.18	29.9	1.18	29.9
⑤	0.21	5.3	0.26	6.6	0.26	6.6
	6 places			8 places		
⑥	0.50	M10	0.31	7.9	0.31	7.9
⑦	1.14	29.0	1.22	31.0	1.22	31.0
⑧	1.06	27.0	0.04	1.0	0.04	1.0

\*Consult factory for model 1710 drawing.

# Model 1200 Flange Load Cell

Why the Interface model 1200 Flange Load Cell is the best in class:

- Standard flange design mounts directly to cylinders
- Proprietary Interface temperature compensated strain gages
- Performance to .05%
- Eccentric load compensated
- .0008%/°F (.0015%/°C) temp. effect on output
- Low deflection
- Shunt calibration
- Barometric compensation
- Tension & compression



## DIMENSIONS

See Drawing	MODEL									
	1228		1238		1248		1258		1268	
	CAPACITY									
	U.S. (lbf)	Metric (kN)	U.S. (lbf)	Metric (kN)	U.S. (lbf)	Metric (kN)	U.S. (lbf)	Metric (kN)	U.S. (lbf)	Metric (kN)
	30K	50kN, 100kN, 140kN	55K	250kN	110K	500kN	220K	1000kN	330K	1500kN
	inch	mm	inch	mm	inch	mm	inch	mm	inch	mm
①	6.06	153.9	8.00	203.2	11.00	279.4	12.00	304.8	15.50	393.7
②	1.75	44.5	2.5	63.5	3.50	88.9	4.5	114.3	5.50	139.7
③	1.63	41.4	2.25	57.2	3.00	76.2	4.25	108.0	5.00	127.0
④	2.65*	67.3	3.76	95.5	4.81	122.2	5.68	144.3	7.75	196.9
⑤	5.13	130.3	6.50	165.1	9	228.8	9.50	241.3	12.68	322.1
⑥	15°		11.25°		11.25°		9.0°		7.5°	
⑦	0.41	10.4	0.50	12.7	0.66	16.8	0.83	21.0	0.97	24.6
	12 places		16 places		16 places		20 places		24 places	
⑧	0.316	8.03	0.631	16.02	0.631	16.02	0.631	16.02	0.788	20.02
⑨	0.41	10.4	0.65	16.5	0.65	16.5	0.97	24.6	0.97	24.6
	8 places		8 places		8 places		8 places		12 places	
⑩	1.77	45.0	2.80	71.0	2.80	71.0	4.13	105.0	5.91	150.0

\*2.41 (61.2) for 50kN

Dimensions are approximate. Contact factory for current drawings.

For lower capacities; refer to the 1700 model on page 27.



**SPECIFICATIONS**

PARAMETERS	MODEL				
	1228	1238	1248	1258	1268
<b>CAPACITY</b>					
U.S. Models (lbf)	30K	55K	110K	220K	330K
Metric Models (kN)	50kN, 100kN, 140kN	250kN	500kN	1000kN	1500kN
<b>ACCURACY – (MAX ERROR)</b>					
Static Error Band-% FS	±0.05	±0.05	±0.06	±0.10	±0.12
Nonlinearity-% FS	±0.05	±0.05	±0.07	±0.10	±0.12
Hysteresis-% FS	±0.05	±0.05	±0.06	±0.10	±0.12
Nonrepeatability-% RO	±0.01	±0.01	±0.01	±0.01	±0.01
Creep, in 20 min-%	±0.025	±0.025	±0.025	±0.025	±0.025
Side Load Sensitivity-%	±0.25	±0.25	±0.25	±0.25	±0.25
Eccentric Load Sensitivity-%/in	±0.25	±0.25	±0.25	±0.25	±0.25
<b>TEMPERATURE</b>					
Compensated Range-°F	15 to 115	15 to 115	15 to 115	15 to 115	15 to 115
Compensated Range-°C	-10 to 45	-10 to 45	-10 to 45	-10 to 45	-10 to 45
Operating Range-°F-65 to 200	-65 to 200	-65 to 200	-65 to 200	-65 to 200	-65 to 200
Operating Range-°C-55 to 90	-55 to 90	-55 to 90	-55 to 90	-55 to 90	-55 to 90
Effect on Zero-%RO/°F – MAX	±0.0008	±0.0008	±0.0008	±0.0008	±0.0008
Effect on Zero-%RO/°C – MAX	±0.0015	±0.0015	±0.0015	±0.0015	±0.0015
Effect on Output-%/°F – MAX	±0.0008	±0.0008	±0.0008	±0.0008	±0.0008
Effect on Output-%/°C – MAX	±0.0015	±0.0015	±0.0015	±0.0015	±0.0015
<b>ELECTRICAL</b>					
Rated Output-mV/V (Nominal)	2.2	2.2	2.2	2.2	2.2
Excitation Voltage-VDC – MAX	20	20	20	20	20
Bridge Resistance-Ohm (Nominal)	350±3.5	350±3.5	350±3.5	350±3.5	350±3.5
Zero Balance-% RO	±1.0	±1.0	±1.0	±1.0	±1.0
Insulation Resistance-Megohm	5000	5000	5000	5000	5000
<b>MECHANICAL</b>					
Safe Overload-% CAP	±150	±150	±150	±150	±150
Deflection @ RO-inch	0.001	0.002	0.004	0.005	0.006
Natural Frequency-kHz	7	5.9	4.4	5	5.1
Weight-lb	9.5	26	71	100	204
Weight-kg	4.3	11.8	32.2	46.7	92.5
Connector	PT02E-10-6P	PT02E-10-6P	PT02E-10-6P	PT02E-10-6P	PT02E-10-6P
Calibration	T & C	T & C	T & C	T & C	T & C

**OPTIONS\* Page 169**

Integral 10 ft Cable  
 PC04E-10-6P Connector  
 Multiple Bridge  
 Standardized Output  
 Connector Protection  
 See Transducer Electronic Data Sheet (TEDS) Page 149

**ACCESSORIES\* Page 172**

Mating Connector  
 Instrumentation

*\*See appendix for more technical information*

# Model 1216 Axial Torsion Load Cell

Why the Interface model 1216 Axial Torsion Load Cell is the best in class:

- Measures load and torque
- Minimal crosstalk
- Extraneous load resistance
- Fatigue rated



## OPTIONS

- Integral Cable
- Compression Overload Protection
- Connector Protector

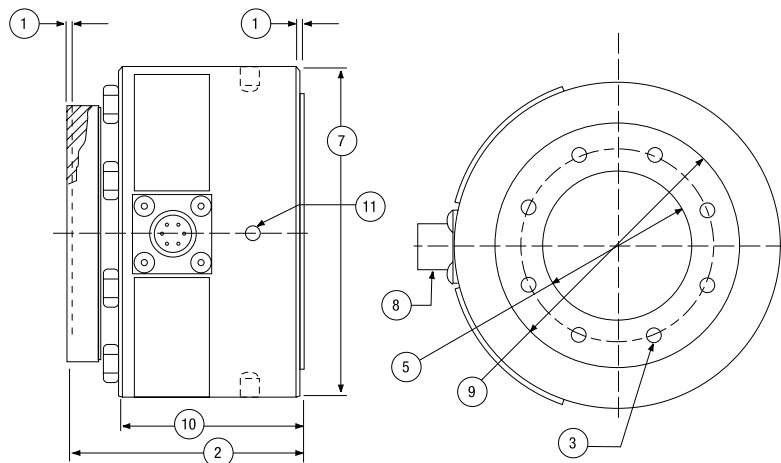
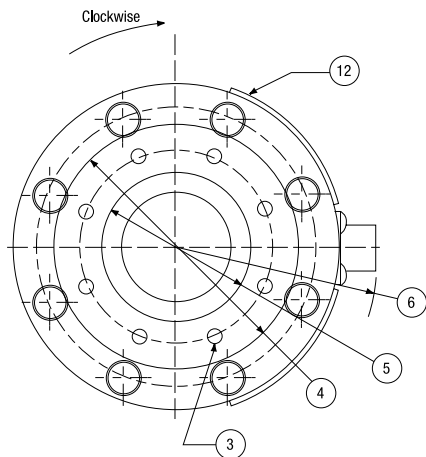
## SPECIFICATIONS

ACCURACY – (MAX ERROR)	Axial Bridge A	Torsion Bridge B
Nonlinearity-% FS	±0.04	±0.07
Hysteresis-% FS	±0.04	±0.05
Nonrepeatability-% RO	±0.02	±0.05
Creep, in 20 min-%	±0.025	±0.025

TEMPERATURE		
Compensated Range-°F	15 to 115	15 to 115
Compensated Range-°C	-10 to 45	-10 to 45
Operating Range-°F	-65 to 200	-65 to 200
Operating Range-°C	-55 to 90	-55 to 90
Effect on Output-%/100°F – MAX	±0.08	±0.08
Effect on Zero-% RO/100°F – MAX	±0.08	±0.08

ELECTRICAL		
Rated Output-mV/V (Nominal)	1.50	1.80
Zero Balance-% RO	±2.0	±2.0
Input Resistance-Ohms	700±7	700±7
Output Resistance-Ohms	700±7	700±7
Excitation Voltage – MAX	20 VDC	20 VDC

MECHANICAL		
Calibration	T&C	CW & CCW
Safe Overload-% CAP	±200	±200
Ultimate Overload-% CAP	±400	±400



## DIMENSIONS

See Drawing	MODEL 1216	
	CAPACITY (lbf)/(inch-lb)	
	250/125, 500/250, 1K/500, 2K/1000	
	inch	mm
①	0.070	1.78
②	3.00	76.2
③	0.250-28 x 0.43 deep on a 2.600 B.C.	
④	3.20	81.3
⑤	2.000 + 0.002 / -0.000	
⑥	2.77	70.3
⑦	4.13	104.3
⑧	PT02E-12-8P	
⑨	3.200	81.28
⑩	2.33	59.2
⑪	0.25	6.4
	0.25 deep	6.4 deep
⑫	Label	

# Model 2816 Axial Torsion Load Cell

Why the Interface model 2816 Axial Torsion Load Cell is the best in class:

- Measures load and torque
- Minimal crosstalk
- Extraneous load resistance
- Fatigue rated



LOAD

## DIMENSIONS

See Drawing	MODEL 2816	
	CAPACITY (lbf)/(inch-lb)	
	3.3K/2K, 5K/3K, 10K/6K, 15K/7.5K	
	inch	mm
①	1.75	44.6
②	5.12	130
③	6.06	154
④	PT02E-10-6P	
⑤	2.41	61.2
⑥	3.49	88.8
⑦	ø.406	10.3
⑧	15°	
⑨	ø 0.414 (10.5) thru, C'Sink ø 0.460 (11.7)	
⑩	ø 0.307 (7.80) thru, C'Bore ø 0.3155-.3166 (8.014-8.042) ‡ 0.39 (10.0) This side only	
⑪	1.772	45
⑫	1.62	41.1
⑬	0.015	0.38
⑭	ø 5.86	148.8
⑮	ø 4.30	109.2
⑯	ø 4.01	101.9
⑰	Label	

## SPECIFICATIONS

### ACCURACY

	Axial Bridge A	Torsion Bridge B
Nonlinearity-% FS	±0.05	±0.07
Hysteresis-% FS	±0.05	±0.05
Nonrepeatability-% RO	±0.02	±0.05
Creep, in 20 min-%	±0.025	±0.025

### TEMPERATURE

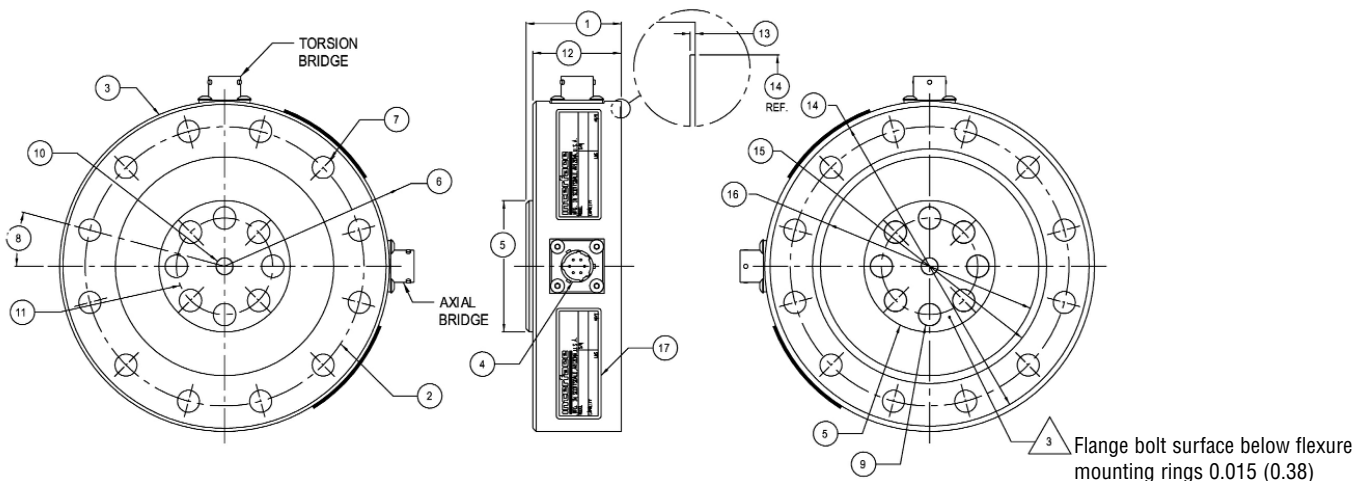
Compensated Range-°F	15 to 115	15 to 115
Compensated Range-°C	-10 to 45	-10 to 45
Operating Range-°F	-65 to 200	-65 to 200
Operating Range-°C	-55 to 90	-55 to 90
Effect on Output-%/100°F - MAX	±0.08	±0.08
Effect on Zero-% RO/100°F - MAX	±0.15	±0.15

### ELECTRICAL

Rated Output-mV/V	+2.0 ±0.3 / -2.0 ±0.3
Zero Balance-% RO - MAX	±2.0
Input Resistance-Ohms	350±3.5
Output Resistance-Ohms	350±3.5
Excitation Voltage - VDC MAX	20

### MECHANICAL

Calibration	T&C	CW & CCW
Safe Overload-% CAP - MAX	±200	±200
Ultimate Overload-% CAP - MAX	±400	±400



LOAD

# Model 1500 Standard Low Capacity Load Cell (U.S. & Metric)

Why the Interface model 1500 Standard Low Capacity Load Cell is the best in class:

- Proprietary Interface temperature compensated strain gages
- Performance to .05%
- Compact 2¾ in (70 mm) diameter
- Fatigue rated
- Eccentric load compensated
- .0008%/°F (.0015%/°C) temp. effect on output
- Shunt calibration
- Low deflection



## SPECIFICATIONS

### ACCURACY – (MAX ERROR)

Static Error Band-% FS	±0.05
Nonlinearity-% FS	±0.05
Hysteresis-% FS	±0.05
Nonrepeatability-% RO	±0.02
Creep, in 20 min-%	±0.025
Eccentric Load Sensitivity-%/in	±0.25

### TEMPERATURE

Compensated Range-°F	15 to 115
Compensated Range-°C	-10 to 45
Operating Range-°F	-65 to 200
Operating Range-°C	-55 to 90
Effect on Output-%/°F – MAX	±0.0008
Effect on Output-%/°C – MAX	±0.0015
Effect on Zero-% RO/°F – MAX	±0.0015
Effect on Zero-% RO/°C – MAX	±0.0027

### ELECTRICAL

Rated Output-mV/V (Nominal)	2.0
Zero Balance-% RO	±1.0
Bridge Resistance-Ohm (Nominal)	700
Excitation Voltage – VDC - MAX	20
Insulation Resistance – Megohm	5000

### MECHANICAL

Calibration	Tension & Compression	
Safe Overload-% CAP	±150	
Connector	PT02E-10-6P	
Deflection @ RO-inch	0.003 (0.08mm)	
Natural Frequency		

	lbf	N	Hz
	25	125	2000
	50	250	2500
	100	500	4000
	200	1000	6000
	300	1500	7500

Weight .....1 lb (0.45 Kg)

## OPTIONS\* Page 169

Dual Bridge  
Standardized Output  
See Transducer Electronic Data Sheet (TEDS) Page 149

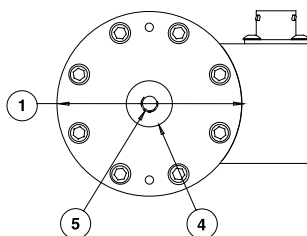
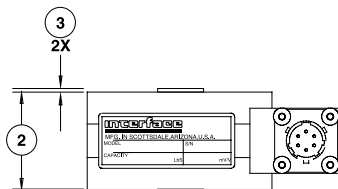
## ACCESSORIES\* Page 172

Mating Cable  
Instrumentation  
Mounting Hardware

\*See appendix for more technical information

## STANDARD CONFIGURATIONS

Single Bridge (1500ASK-nn)  
Dual Bridge (1500ASL-nn)



## DIMENSIONS

See Drawing	CAPACITY	
	U.S. (lbf)	Metric (N)
	25, 50, 100, 200, 300	125, 250, 500, 1000, 1500
	inch	mm
①	2.75	69.8
②	1.50	38.1
③	0.03	0.6
④	0.69	17.5
⑤	1/4-28 UNF 0.25 in deep	M6 X 1-6H 6.4 mm deep

# Model 1516 Axial Torsion Load Cell

Why the Interface model 1516 Axial Torsion Load Cell is the best in class:

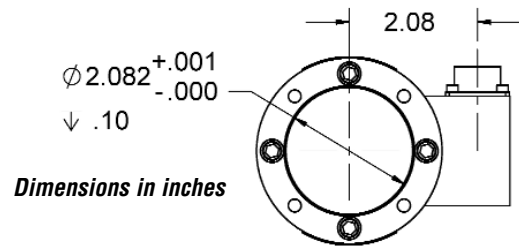
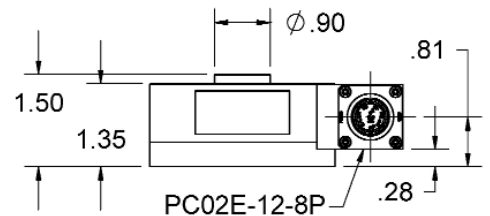
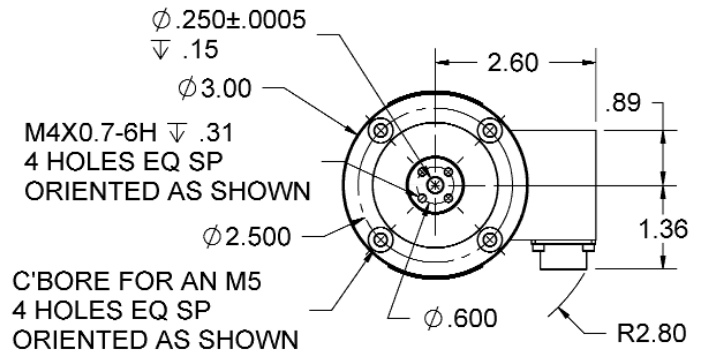
- Capacities 100 lb 50 lbf-in (Axial/Torsion)
- Axial force torque
- Minimal crosstalk
- Fatigue rated



LOAD

## SPECIFICATIONS

ACCURACY	Axial Bridge A	Torsion Bridge B
Nonlinearity-% FS	±0.04	±0.05
Hysteresis-% FS	±0.04	±0.05
Nonrepeatability-% RO	±0.02	±0.05
Creep, in 20 min-%	±0.025	±0.025
<b>TEMPERATURE</b>		
Compensated Range-°F	15 to 115	15 to 115
Compensated Range-°C	-10 to 45	-10 to 45
Operating Range-°F	-65 to 200	-65 to 200
Operating Range-°C	-55 to 90	-55 to 90
Effect on Output-%/100°F - MAX	±0.08	±0.08
Effect on Zero-% RO/100°F - MAX	±0.15	±0.15
<b>ELECTRICAL</b>		
Rated Output-mV/V (T & C)	+1.50 ±0.15	-1.50 ±0.15
Zero Balance-% RO - MAX	±2.0	±2.0
Input Resistance-Ohms	700±7	700±7
Output Resistance-Ohms	700±7	700±7
Excitation Voltage - VDC MAX	20	20
<b>MECHANICAL</b>		
Calibration	T&C	CW & CCW
Safe Overload-% CAP - MAX	±200	±200
Ultimate Overload-% CAP - MAX	±400	±400



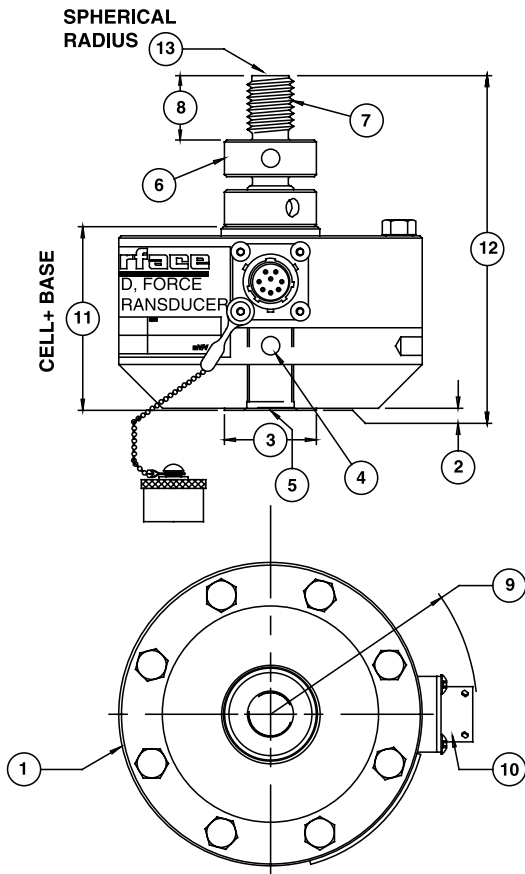
Dimensions in inches

LOAD

# Model 1600 Gold Standard™ Calibration Load Cell

Why the Interface model 1600 Gold Standard™ Calibration Load Cells are the best in class:

- Tension & compression in one unit
- .005% nonrepeatability
- .01% creep
- High output – to 4 mV/V
- High precision base installed
- 3 run NIST traceable ASTM E74 calibration
- Factory installed calibration adapter
- Eccentric load compensated
- .0008%/°F temp. effect on output
- 4% lower load limit per ASTM E74
- Calibration conforming to ISO 376



## DIMENSIONS

See Drawing	MODEL							
	1610		1620		1632		1640	
	CAPACITY							
	U.S. (lbf)	Metric (kN)	U.S. (lbf)	Metric (kN)	U.S. (lbf)	Metric (kN)	U.S. (lbf)	Metric (kN)
	500, 1K, 2K, 5K, 10K	2.2, 4.5, 9, 22, 45	25K, 50K	110, 225	100K	450	200K	900
	inch	mm	inch	mm	inch	mm	inch	mm
①	4.13	104.80	6.06	153.90	8.00	203.20	11.00	279.00
②	0.03	00.80	0.03	00.80	0.03	00.80	0.03	00.80
③	1.25	31.80	2.25	57.20	3.00	76.20	4.50	114.30
④	0.25	06.40	0.31	07.90	0.31	07.90	0.31	07.90
	0.29 deep	7.4 deep	0.31 deep	7.9 deep	0.31 deep	7.9 deep	0.31	07.90
⑤	5/8-18 UNF-3B	M16x2-4H	1 1/4-12 UNF-3B	M33x2-4H	1 3/4-12 UNF-3B	M42x2-4H	2 3/4-8 UNF-3A	M72x2-4H
	0.87 deep	22.1 deep	1.40 deep	35.6 deep	1.75 deep	44.45 deep	2.75 deep	69.8
⑥	CA-101	CA-201	CA-102	CA-202	CA-103	CA-203	Integral	
⑦	5/8-18 UNF-3A	M16x2-4h	1 1/4-12 UNF-3A	M33x2-4h	1 3/4-12 UNF-3A	M42x2-4h	2 3/4-8 UNF-3A	M72x2-4h
⑧	0.75	19.1	1.50	38.1	2.00	50.8	2.75	72
⑨	2.81	71.4	3.50	88.9	4.50	114.3	6.19	157
⑩	PT02E-12-8P		PT02E-12-8P		PT02E-12-8P		PT02E-12-8P	
⑪	2.50	63.5	3.50	88.9	4.50	114.3	6.50	165
⑫	4.38 ±.12	111.3 ±3.1	6.50 ±.12	162.1 ±3.1	8.75 ±.12	218.9 ±3.1	10.5 ±.12	266.7 ±3.1
⑬	6.00	152.4	6.00	152.4	12.0	305.0	18.0	457

**SPECIFICATIONS**

PARAMETERS	MODEL					
	1610	1610	1610	1620	1632	1640
	CAPACITY (lbf)					
U.S. Models (lbf) Metric Models (kN)	500 2.2	1K, 2K 4.5, 9	5K, 10K 22, 45	25K, 50K 110, 225	100K 450	200K 900
<b>ACCURACY – (MAX ERROR)</b>						
Static Error Band-% FS	±0.02	±0.02	±0.025	±0.03	±0.05	±0.05
Nonlinearity-% FS	±0.03	±0.03	±0.04	±0.04	±0.05	±0.05
Hysteresis-% FS	±0.02	±0.02	±0.04	±0.05	±0.05	±0.05
Nonrepeatability-% RO	±0.005	±0.005	±0.005	±0.005	±0.005	±0.05
Creep, 20 min-%	±0.01	±0.01	±0.01	±0.01	±0.01	±0.01
Side Load Sensitivity-%	±0.1	±0.1	±0.1	±0.1	±0.1	±0.1
Eccentric Load Sensitivity-%/in	±0.1	±0.1	±0.1	±0.1	±0.1	±0.1
Lower Load Limit-% Cap. (ASTM E74 CLASS A)	4.0	4.0	4.0	4.0	4.0	4.0
<b>TEMPERATURE</b>						
Compensated Range-°F	15 to 115	15 to 115	15 to 115	15 to 115	15 to 115	15 to 115
Compensated Range-°C	-10 to 45	-10 to 45	-10 to 45	-10 to 45	-10 to 45	-10 to 45
Operating Range-°F	-65 to 200	-65 to 200	-65 to 200	-65 to 200	-65 to 200	-65 to 200
Operating Range-°C	-55 to 90	-55 to 90	-55 to 90	-55 to 90	-55 to 90	-55 to 90
Effect on Zero-%RO/°F – MAX	±0.0004	±0.0004	±0.0004	±0.0004	±0.0004	±0.0004
Effect on Output-%/°F – MAX	±0.0008	±0.0008	±0.0008	±0.0008	±0.0008	±0.0008
<b>ELECTRICAL</b>						
Rated Output-mV/V (Nominal)	2.0	2.0	4.0	4.0	4.0	4.0
Excitation Voltage-VDC – MAX	20	20	20	20	20	20
Bridge Resistance-Ohm (Nominal)	350	350	350	350	350	350
Zero Balance-% RO	±1.0	±1.0	±1.0	±1.0	±1.0	±1.0
Insulation Resistance-Megohm	5000	5000	5000	5000	5000	5000
<b>MECHANICAL</b>						
Safe Overload-% CAP	±150	±150	±150	±150	±150	±150
Deflection @ RO-inch	0.002	0.002	0.004	0.004	0.006	0.010
Weight-lb	3.8	3.8	8.0	23.5	58	171
Connector	PT02E-12-8P	PT02E-12-8P	PT02E-12-8P	PT02E-12-8P	PT02E-12-8P	PT02E-12-8P
Calibration	T & C	T & C	T & C	T & C	T & C	T & C

**OPTIONS\***

Compression Overload Protection  
 Multiple Bridge - Add'l Bridges to Meet 1200 Series Specifications  
 Standardized Output  
 Connector Protection  
 See Low Profile Options Page 163

**STANDARD CONFIGURATIONS**

PT02E-12-8 Connector (16xxAJH-nn)

**ACCESSORIES\***

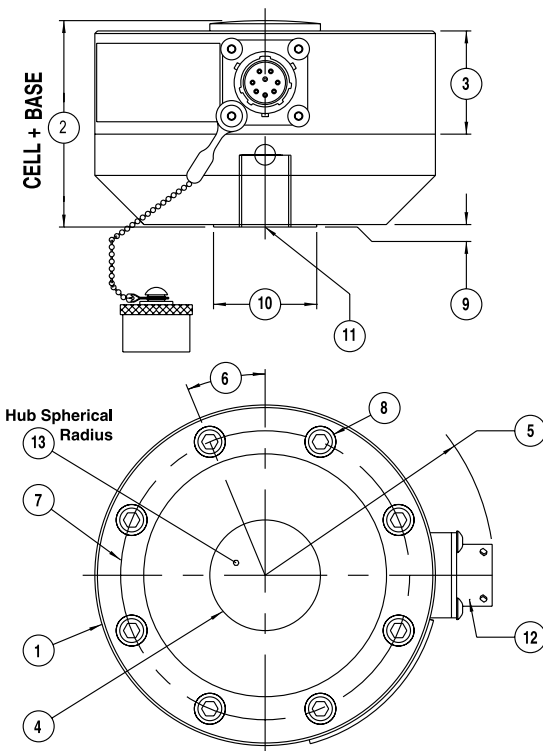
Precision mV/V Transfer Standard  
 Instrument Cable Assemblies  
 Signal Conditioning Boards  
 Calibration Software

\*See appendix for more technical information

# Model 1600 Gold Standard™ Calibration Compression-Only Load Cell

Why the Interface model 1600 Gold Standard™ Calibration Compression-Only Load Cell is the best in class:

- .005% nonrepeatability
- .01% creep
- High output – to 4 mV/V
- High precision base installed
- 3 run NIST traceable ASTM E74 calibration
- Eccentric load compensated
- .0008%/°F temp. effect on output
- 4% lower load limit



## DIMENSIONS

See Drawing	MODEL					
	1611		1621		1633	
	CAPACITY					
	U.S. (lbf)	Metric (kN)	U.S. (lbf)	Metric (kN)	U.S. (lbf)	Metric (kN)
	1K, 2K, 5K, 10K	4.5, 9, 22, 45	25K, 50K	110, 225	100K	450
	inch	mm	inch	mm	inch	mm
①	4.13	104.8	6.06	153.9	8.00	203.2
②	2.50	63.5	3.50	89.0	4.50	114.3
③	1.25	31.7	1.63	41.4	2.25	57.2
④	1.34	34.0	2.41	61.2	3.76	95.5
⑤	2.78	70.0	3.50	89.0	4.47	113.0
⑥	22.5°	22.5°	15.0°	15.0°	11.25°	11.25°
⑦	3.50	88.9	5.13	130.3	6.50	165.1
⑧	8 SHCS		12 SHCS		16 HHCS	
⑨	0.03	0.80	0.03	0.80	0.03	0.80
⑩	1.25	31.8	2.25	57.2	3.00	76.2
⑪	5/8-18 UNF-3B 0.87 in deep		1 1/4-12 UNF-3B 1.40 in deep		1 3/4-12 UNF-3B 1.75 in deep	
⑫	PT02E-12-8P		PT02E-12-8P		PT02E-12-8P	
⑬	6.00	152.0	8.00	203.0	12.0	305.0



**SPECIFICATIONS**

PARAMETERS	MODEL				
	1611	1611	1611	1621	1633
	CAPACITY (lbf)				
	1K	2K	5K,10K	25K, 50K	100K
<b>ACCURACY – (MAX ERROR)</b>					
Static Error Band-% FS	±0.02	±0.02	±0.025	±0.03	±0.04
Nonlinearity-% FS	±0.03	±0.03	±0.04	±0.04	±0.04
Hysteresis-% FS	±0.02	±0.02	±0.04	±0.04	±0.05
Nonrepeatability-% RO	±0.005	±0.005	±0.005	±0.005	±0.005
Creep, 20 min-%	±0.01	±0.01	±0.01	±0.01	±0.01
Side Load Sensitivity-%	±0.1	±0.1	±0.1	±0.1	±0.1
Eccentric Load Sensitivity-%/in	±0.1	±0.1	±0.1	±0.1	±0.1
Lower Load Limit-% Cap. (ASTM E74 CLASS A)	4.0	4.0	4.0	4.0	4.0
<b>TEMPERATURE</b>					
Compensated Range-°F	15 to 115	15 to 115	15 to 115	15 to 115	15 to 115
Compensated Range-°C	-10 to 45	-10 to 45	-10 to 45	-10 to 45	-10 to 45
Operating Range-°F	-65 to 200	-65 to 200	-65 to 200	-65 to 200	-65 to 200
Operating Range-°C	-55 to 90	-55 to 90	-55 to 90	-55 to 90	-55 to 90
Effect on Zero-%RO/°F – MAX	±0.0004	±0.0004	±0.0004	±0.0004	±0.0004
Effect on Output-%/°F – MAX	±0.0008	±0.0008	±0.0008	±0.0008	±0.0008
<b>ELECTRICAL</b>					
Rated Output-mV/V (Nominal)	2.0	2.0	4.0	4.0	4.0
Excitation Voltage-VDC – MAX	20	20	20	20	20
Bridge Resistance-Ohm (Nominal)	350	350	350	350	350
Zero Balance-% RO	±1.0	±1.0	±1.0	±1.0	±1.0
Insulation Resistance-Megohm	5000	5000	5000	5000	5000
<b>MECHANICAL</b>					
Safe Overload-% CAP	±150	±150	±150	±150	±150
Deflection @ RO-inch	0.002	0.002	0.004	0.004	0.006
Weight-lb	3.3	3.3	7.5	21.5	52
Connector	PT02E-12-8P	PT02E-12-8P	PT02E-12-8P	PT02E-12-8P	PT02E-12-8P
Calibration	Compression	Compression	Compression	Compression	Compression

**OPTIONS\***

Compression Overload Protection  
 Multiple Bridge  
 Standardized Output  
 Connector Protection  
 See Low Profile Options Page 169

**STANDARD CONFIGURATIONS**

PT02E-12-8P Connector (16xxAJH-nn)

**ACCESSORIES\***

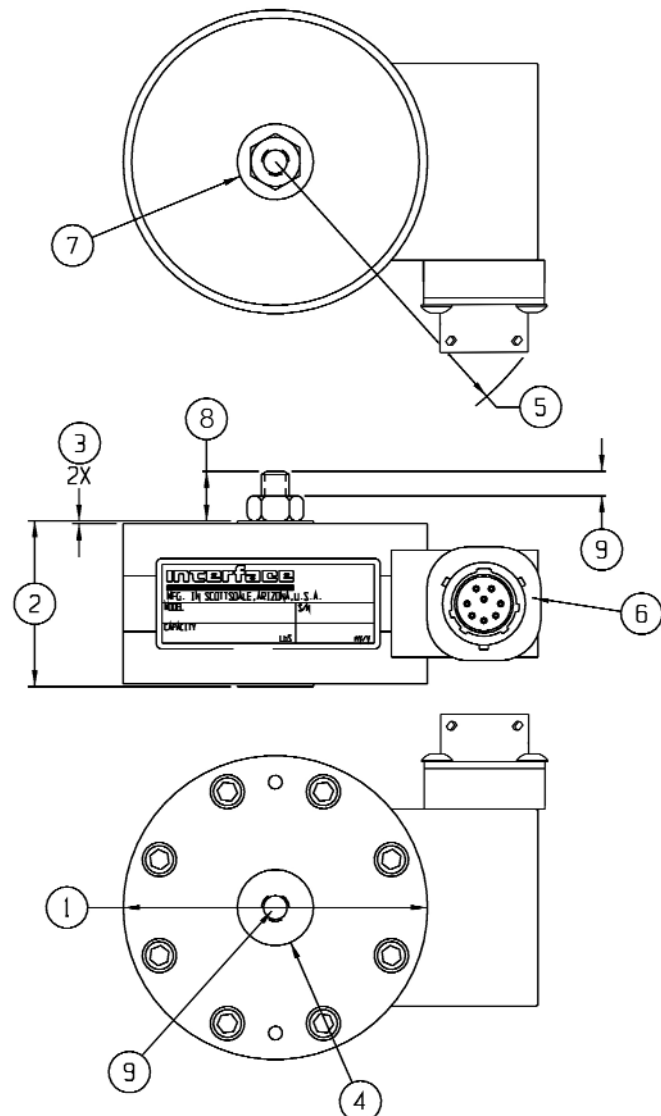
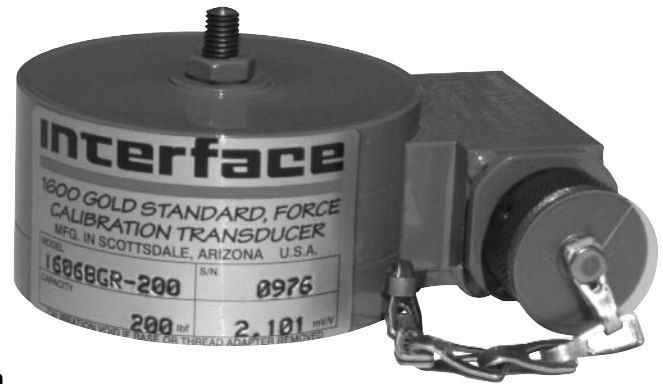
Precision mV/V Transfer Standard  
 Instrument Cable Assemblies  
 Signal Conditioning Boards  
 Calibration Software

*\*See appendix for more technical information*

# Model 1606 Gold Standard™ Low Capacity Calibration Load Cell

Why the Interface model 1606 Gold Standard™ Low Capacity Calibration Load Cells are the best in class:

- Capacities from 50 lbf to 300 lbf (250N to 1,500N)
- Tension and compression in one unit
- 0.05% nonrepeatability
- .02% creep
- 3 run NIST traceable ASTM E74 calibration
- Factory installed calibration adapter
- Eccentric load compensated
- .0008%/°F temp. effect on output
- 4% lower load limit per ASTM E74
- Higher capacities available



## DIMENSIONS

See Drawing	CAPACITY	
	U.S. (lbf) 50,100,200,300	Metric (N) 250,500,1000,1500
	inch	mm
①	2.75	69.8
②	1.50	38.1
③	0.03	0.6
④	0.69	17.5
⑤	2.85	72.3
⑥	PT02E-12-8P	PT02E-12-8P
⑦	0.69	17.5
⑧	0.45	11.4
⑨	1/4-28 UNF 0.25 in deep	M6 X 1-6H 6.4 mm deep

**SPECIFICATIONS**

PARAMETERS	MODEL	
	1606	1606
	CAPACITY	
U.S. Models (lbf) Metric Models (N)	50 250	100, 200, 300 500, 1000, 1500
<b>ACCURACY – (MAX ERROR)</b>		
Static Error Band-% FS	±0.03	±0.02
Nonlinearity-% FS	±0.04	±0.03
Hysteresis-% FS	±0.03	±0.02
Nonrepeatability-% RO	±0.005	±0.005
Creep, 20 min-%		±0.02±0.02
Side Load Sensitivity-%	±0.25	±0.25
Eccentric Load Sensitivity-%/in	±0.25	±0.25
Lower Load Limit-% Cap. (ASTM E74 CLASS A)	4.0	4.0
<b>TEMPERATURE</b>		
Compensated Range-°F	15 to 115	15 to 115
Compensated Range-°C	-10 to 45	-10 to 45
Operating Range-°F	-65 to 200	-65 to 200
Operating Range-°C	-55 to 90	-55 to 90
Effect on Zero-%RO/°F – MAX	±0.0008	±0.0008
Effect on Output-%/°F – MAX	±0.0008	±0.0008
<b>ELECTRICAL</b>		
Rated Output-mV/V (Nominal)	2.0	2.0
Excitation Voltage-VDC – MAX	20	20
Bridge Resistance-Ohm (Nominal)	700	700
Zero Balance-% RO	±1.0	±1.0
Insulation Resistance-Megohm	5000	5000
<b>MECHANICAL</b>		
Safe Overload-% CAP	±150	±150
Deflection @ RO-inch	0.003	0.003
Weight-lb	1.0	1.0
Connector	PT02E-12-8P	PT02E-12-8P
Calibration	T & C	T & C

**STANDARD CONFIGURATIONS**

PT02E-12-8 Connector (16xxAJH-nn)

**ACCESSORIES**

- Precision mV/V Transfer Standard
- Instrument Cable Assemblies
- Signal Conditioning Boards
- Gold Standard Calibration System
- Calibration Software

*Consult factory for more technical information*

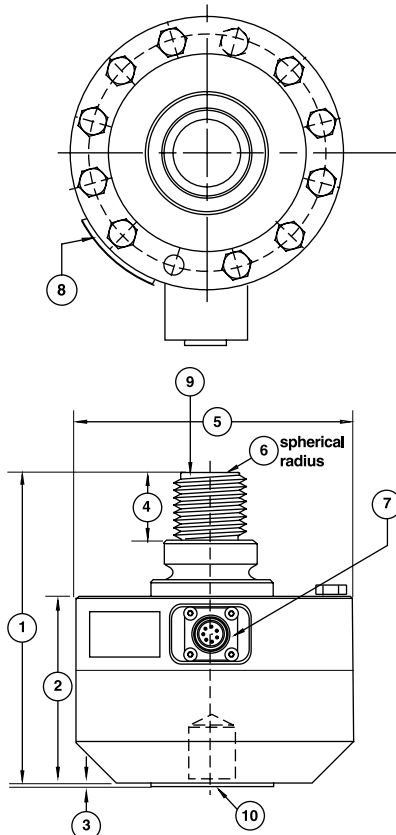
# Model 1800 Platinum Standard™ Calibration Load Cell

Why the Interface model 1800 Platinum Standard™ Calibration Load Cell is the best in class:

- Handcrafted excellence for the most demanding calibration requirements
- Tension & compression in one unit
- .005% nonrepeatability
- 2% lower load limit per ASTM E74
- High precision base installed
- ASTM E74 calibration standard
- Eccentric load compensated
- .0008%/°F temp. effect on output
- Connector protector standard
- Calibration conforming to ISO 376



\*Additional capacities available, call factory for details



## DIMENSIONS

See Drawing	MODEL					
	1810		1820		1830	
	CAPACITY (lbf)					
	U.S. (lbf)	Metric (kN)	U.S. (lbf)	Metric (kN)	U.S. (lbf)	Metric (kN)
	1.1K, 2.2K, 3.3K, 5.5K	5, 10, 15, 25	11K, 22K	50, 100	55K	250
	inch	mm	inch	mm	inch	mm
①	4.65	118.1	6.85	174.0	8.26	209.7
②	3.28	83.3	4.13	104.9	5.00	127.0
③	0.03	0.80	0.03	0.80	0.03	0.80
④	0.75	19.1	1.50	38.1	1.88	47.8
⑤	4.13	104.9	6.06	154.0	8.00	203.2
⑥	6.00	152.4	6.00	152.4	8.00	203.2
⑦	PT02E-12-8P					
⑧	Identification Label					
⑨	5/8-18 UNF-3A	M16x2-4h	1 1/4-12 UNF-3A	M33x2-4h	1 3/4-12 UNF-3A	M42x2-4h
⑩	5/8-18 UNF-3B 0.75 deep	M16x2-4H 19.1	1 1/4-12 UNF-3B 1.25 deep	M33x2-4H 31.8	1 3/4-12 UNF-3B 2.00 deep	M42x2-4H 50.8

**SPECIFICATIONS**

PARAMETERS	MODEL		
	1810	1820	1830
	<b>CAPACITY</b>		
U.S. Models (lbf)	1.1K, 2.2K, 3.3 K, 5.5K	11K, 22K	55K
Metric Models (kN)	25	50, 100	250
<b>ACCURACY – (MAX ERROR)</b>			
Static Error Band-% FS	±0.020	±0.020	±0.025
Nonlinearity-% FS	±0.020	±0.020	±0.020
Hysteresis-% FS	(1.1K ±0.025) ±0.025	±0.025	±0.030
Nonrepeatability-% RO	±0.005	±0.005	±0.005
Creep, in 20 min-%	±0.01	±0.01	±0.01
Side Load Sensitivity-%	±0.1	±0.1	±0.1
Eccentric Load Sensitivity-%/in	±0.05	±0.05	±0.05
Lower Load Limit - % Cap. (ASTM E74 CLASS A)	2.0	2.0	2.0
<b>TEMPERATURE</b>			
Compensated Range-°F	15 to 115	15 to 115	15 to 115
Compensated Range-°C	-10 to 45	-10 to 45	-10 to 45
Operating Range-°F	-65 to 200	-65 to 200	-65 to 200
Operating Range-°C	-55 to 90	-55 to 90	-55 to 90
Effect on Zero-%RO/°F – MAX	±0.0004	±0.0004	±0.0004
Effect on Output-%/°F – MAX	±0.0008	±0.0008	±0.0008
<b>ELECTRICAL</b>			
Rated Output-mV/V (Nominal)	2.0	2.0	2.0
Excitation Voltage-VDC MAX	20	20	20
Bridge Resistance-Ohm (Nominal)	700	700	700
Zero Balance-% RO	±1.0	±1.0	±1.0
Insulation Resistance-Megohm	5000	5000	5000
<b>MECHANICAL</b>			
Safe Overload-% CAP	±300	±300	±300
Deflection @ RO-inch	0.001	0.001	0.002
Weight-lb	(1.1K 3.8) 9	25	62
Connector	PT02E-12-8P	PT02E-12-8P	PT02E-12-8P
Calibration	T & C	T & C	T & C

**ACCESSORIES\***

Precision mV/V Transfer Standard  
 Instrument Cable Assemblies  
 Signal Conditioning Boards  
 Calibration Software

*\*See appendix for more technical information*

**STANDARD CONFIGURATIONS**

PT02E-12-8P Connector

# Model 2101 Dual Range Standard Load Cell Compression-Only (U.S. & Metric)

Why the Interface model 2101 Dual Range Standard Load Cell Compression-Only is the best in class:

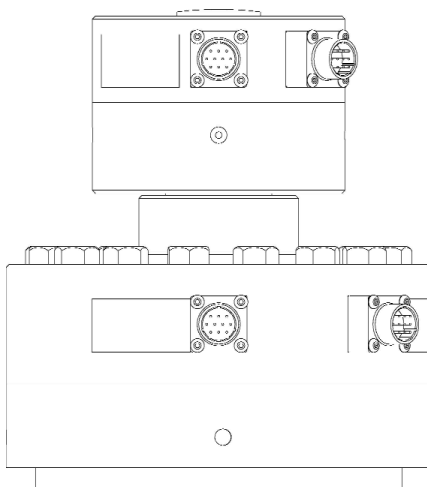
- Dual range allows for accurate measurements throughout test range
- 4X to 5X overload protection on lower capacity load cell
- Proprietary Interface temperature compensated gages
- High output for both ranges-to 4 mV/V
- Eccentric load compensated
- Shunt calibration
- Low deflection



## SPECIFICATIONS

Lower Capacity Same as  
1101 Compression-Only Low Profile (See Page 16)

Higher Capacity Same as  
1100 Universal Low Profile (See Page 14)



## DIMENSIONS

MODEL							
2111		2121		2131		2141	
CAPACITY							
U.S. (lbf)	Metric (N)	U.S. (lbf)	Metric (N)	U.S. (lbf)	Metric (N)	U.S. (lbf)	Metric (N)
1K/5K	5kN/25kN	5K/25K	25kN/100kN	25K/100K	125kN/450kN	50K/150K	250kN/900kN
2K/10K	10kN/50kN	10K/50K	50kN/250kN			100K/270K	450kN/1200kN
Lower capacity load cell same as 1200 Compression only (See Page 20)							
Higher capacity load cell same as 1200 Universal (See Page 16)							
** Contact factory for further details							

# Model 5200 Multi-Axis Load Cell

Why the Interface model 5200 Multi-Axis Load Cell is the best in class:

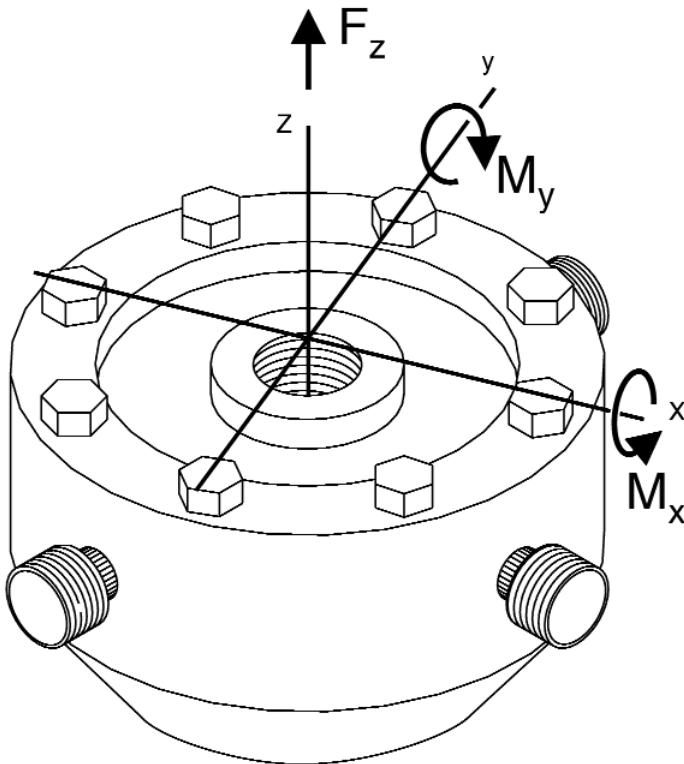
- Simultaneously measure thrust and moment perpendicular to the thrust axis
- Thrust axis functions to the same specifications as a Model 1200
- Thrust stiffness and moment stiffness are both very high because of the low profile construction



Base included

## SPECIFICATIONS

Static Error Band—Thrust, 300-2K	.....±0.04
5K-50K	.....±0.05
100K	.....±0.06
Deflection—Thrust, FS	.....0.001 to 0.002 inches (depending on range)
Calibration—Thrust	.....Same as 1200 Series Universal <sup>†</sup>
Deflection—Moment, FS	.....from 20 seconds (depending on range)
Output—Moment, mV/V	.....Approx. 1/2 of rated thrust output
Cross-Talk—Moment	.....1% or less
Calibration Uncertainty—Moment	.....±1%



## DIMENSIONS

	MODEL			
	5210		5220	
	CAPACITY (lbf)			
	1K, 2K, 5K, 10K		25K, 50K	
	inch	mm	inch	mm
	Same as 1200 Series Universal (See Page 18)			

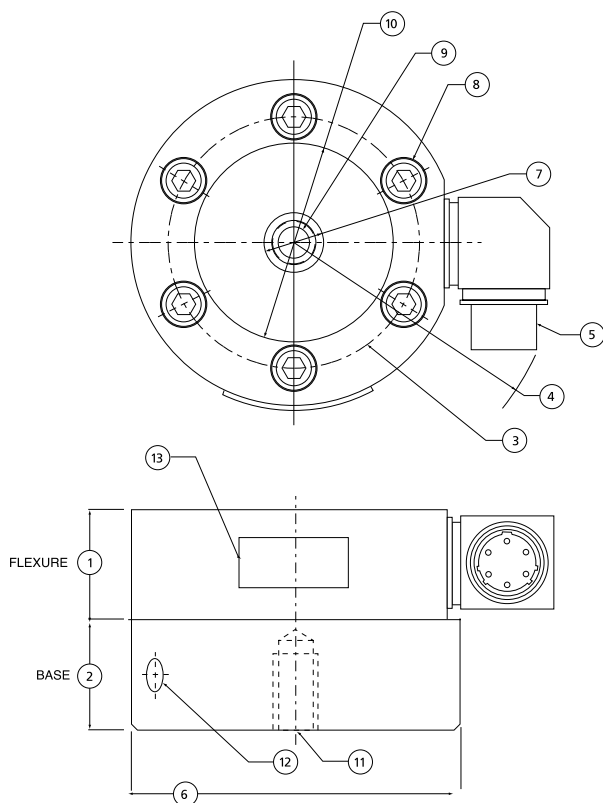
5200 Model	Rated Thrust (lbf)	Rated Moment (in-lbf)
5210XYZ-1K	1,000	400
5210XYZ-2K	2,000	800
5210XYZ-5K	5,000	1,000
5210XYZ-10K	10,000	2,000
5220XYZ-25K	25,000	10,000
5220XYZ-50K	50,000	20,000

# Model 2400 Standard Stainless Steel Load Cell

Capacities 100 lbf-5K lbf

Why the Interface model 2400 Standard Stainless Steel Load Cell is the best in class:

- Proprietary Interface temperature compensated strain gages
- Stainless steel construction
- Hermetically sealed
- Tension & compression
- Compact size
- Counterbored mounting holes



## DIMENSIONS

See Drawing	MODEL			
	2420		2430	
	CAPACITY (lbf)			
	100, 250, 500, 1000		2K, 5K	
	inch	mm	inch	mm
①	1.00	25.4	1.00	25.4
②	1.00	25.4	1.00	25.4
③	2.25	57.2	2.63	66.7
④	2.43	61.7	2.68	68.1
⑤	PTWIH-10-6P			
⑥	3.00	76.2	3.50	88.9
⑦	0.55	14.0	0.81	20.5
⑧	Counterbored for 1/4-28 S.H.C.S.		Counterbored for 5/16-24 S.H.C.S.	
⑨	3/8-24 UNF-3B thru		1/2-20 UNF-3B thru	
⑩	1.81	46.0	2.07	52.5
⑪	3/8-24 UNF 0.70 Deep		1/2-20 UNF 0.70 Deep	
⑫	Spanner holes 2 SPACED @ 180°			
⑬	Identification Label			

For metric capacities, please consult factory.



**SPECIFICATIONS**

PARAMETERS	MODEL	
	2420	2430
	CAPACITY (lbf)	
	100, 250, 500, 1000	2K, 5K
<b>ACCURACY – (MAX ERROR)</b>		
Static Error Band-% FS	±0.10	±0.10
Nonlinearity-% FS	±0.10	±0.10
Hysteresis-% FS	±0.08	±0.08
Nonrepeatability-% RO	±0.02	±0.02
Creep, in 20 min-%	±0.05	±0.05
<b>TEMPERATURE</b>		
Compensated Range-°F	15 to 115	15 to 115
Compensated Range-°C	-10 to 45	-10 to 45
Operating Range-°F	-65 to 200	-65 to 200
Operating Range-°C	-55 to 121	-55 to 121
Effect on Zero-%RO/°F – MAX	±0.002	±0.002
Effect on Output-%RO/°F – MAX	±0.002	±0.002
<b>ELECTRICAL</b>		
Rated Output-mV/V (Nominal)	3.0	3.0
Excitation Voltage-VDC – MAX	15	15
Bridge Resistance-Ohm (Nominal)	350	350
Zero Balance-% RO	±2.0	±2.0
Insulation Resistance-Megohm	5000	5000
<b>MECHANICAL</b>		
Safe Overload-% CAP	±150	±150
Deflection @ RO-inch	.003, .002, .002, .002	.002
Optional Base-P/N	B318-2	B319-2
Natural Frequency-kHz	2.2, 4.4, 6.0, 8.3	9.1, 11.7
Weight-lb	1.5	2.0
Connector	PTWIH-10-6P	
Seal	Glass-metal hermetic	
Flexure Material	Stainless steel	

**OPTIONS\* Page 169**

- Tension Base
- Submersible with Integral Cable
- Special Connectors
- Load Button
- 70-170°F Compensated Temperature Range
- See Transducer Electronic Data Sheet (TEDS) Page 149

**STANDARD CONFIGURATIONS**

PTWIH-10-6P Connector (24xxBLX-nn)

**ACCESSORIES\* Page 172**

- Mating Connector
- Instrumentation
- Loading Hardware

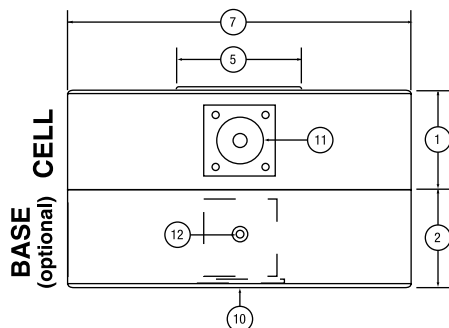
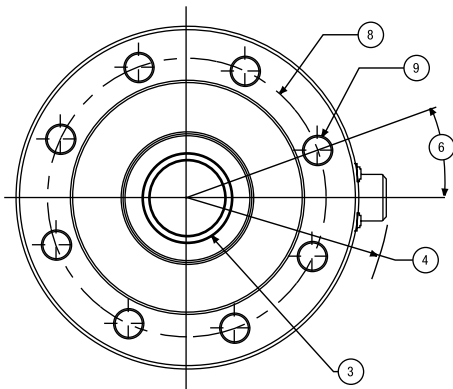
*\*For metric capacities and additional information please consult the factory.*

# Model 2400 Standard Stainless Steel Load Cell

Capacities 10K lbf & 20K lbf

Why the Interface model 2400 Standard Stainless Steel Load Cell is the best in class:

- Proprietary Interface temperature compensated strain gages
- Stainless steel construction
- Welded diaphragm
- Tension & compression
- Compact size
- 10K lbf & 20K lbf capacity
- Counterbored mounting holes in 10K lbf model



## DIMENSIONS

See Drawing	MODEL			
	2440		2450	
	CAPACITY (lbf)			
	10K		20K	
	inch	mm	inch	mm
①	1.80	45.7	1.80	45.7
②	1.75	44.5	1.75	44.5
③	1-14 UNS-3B		1 1/2-12 UNF-3B	
④	3.56	85.2	3.55	90.1
⑤	1.71	43.5	2.23	56.6
⑥	22.5°		20.0°	
⑦	5.50	139.7	6.00	152.4
⑧	4.50	114.3	4.88	123.8
⑨	.41	10.4	.53	13.5
⑩	8 places		8 places	
⑪	1-14 UNS-3B		1 1/2-12 UNF-3B	
⑫	MS3102E-14S-6P			
⑬	Spanner holes 4 SPACED @ 90°			

**SPECIFICATIONS**

PARAMETERS	MODEL	
	2440	2450
	CAPACITY (lbf)	
	10K	20K
<b>ACCURACY – (MAX ERROR)</b>		
Static Error Band-% FS	±0.10	±0.10
Nonlinearity-% FS	±0.10	±0.10
Hysteresis-% FS	±0.08	±0.08
Nonrepeatability-% RO	±0.02	±0.02
Creep, in 20 min-%	±0.03	±0.05
<b>TEMPERATURE</b>		
Compensated Range-°F	15 to 115	15 to 115
Compensated Range-°C	-10 to 45	-10 to 45
Operating Range-°F	-65 to 200	-65 to 200
Operating Range-°C	-55 to 90	-55 to 90
Effect on Zero-%RO/°F – MAX	±0.0015	±0.0015
Effect on Output-%RO/°F – MAX	±0.0008	±0.0008
<b>ELECTRICAL</b>		
Rated Output-mV/V (Nominal)	3.0	3.0
Excitation Voltage-VDC – MAX	20	20
Bridge Resistance-Ohm (Nominal)	350	350
Zero Balance-% RO	±2.0	±2.0
Insulation Resistance-Megohm	5000	5000
<b>MECHANICAL</b>		
Safe Overload-% CAP	±150	±150
Deflection @ RO-inch	0.002	0.002
Optional Base-P/N	B323-2	B320-1
Natural Frequency-kHz	9.4	-
Weight-lb	6	9
Connector	MS3102E-14S-6P	
Seal	Environmental	
Flexure Material	Stainless steel	

**OPTIONS\* Page 169**

- Tension Base
- Submersible Cable
- Standardized Output
- Special Connectors
- Load Button
- Overload Protection
- Connector Protection
- See Transducer Electronic Data Sheet (TEDS) Page 149

**STANDARD CONFIGURATIONS**

- MS3102E-14S-6P Connector (24xxBXM-nn)
- Installed Base (-B suffix)

**ACCESSORIES\* Page 172**

- Mating Connector
- Instrumentation
- Loading Hardware

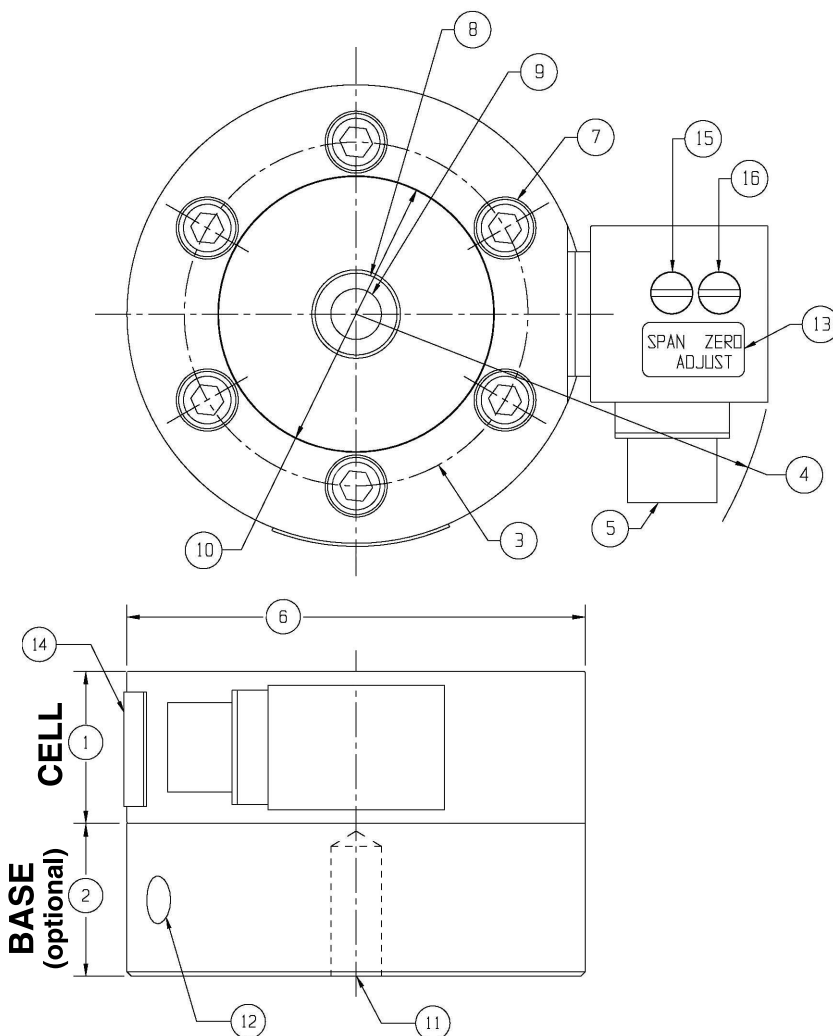
*\*Please call for additional information*

# Model 2404 Standard Stainless Steel 2-Wire Amplified Load Cell

Capacities 50 lbf-5K lbf

Why the Interface model 2404 Standard Stainless Steel 2-Wire Amplified Load Cell is the best in class:

- Stainless steel construction
- Hermetically sealed
- Tension & compression
- Counterbored mounting holes
- Internally amplified with 4-20 mA output
- Proprietary Interface temperature compensated strain gages



## DIMENSIONS

See Drawing	MODEL			
	2424		2434	
	CAPACITY (lbf)			
	50, 100, 250, 500, 1000		2K, 5K	
	inch	mm	inch	mm
①	1	25.4	1	25.4
②	1	25.4	1	25.4
③	2.25	57.2	2.625	66.68
④	2.76	70.1	3.01	76.3
⑤	PTWIH-10-6P			
⑥	3	76.2	3.5	88.9
⑦	Counterbored for 1/4-28 S.H.C.S.		Counterbored for 5/16-24 S.H.C.S.	
⑧	0.55	14	0.81	20.5
⑨	3/8-24 UNF-3B thru		1/2-20 UNF-3B thru	
⑩	1.81	46	2.07	52.5
⑪	3/8-24 UNF 0.70 Deep		1/2-20 UNF 0.70 Deep	
⑫	(2) Spanner holes spaced at 180°			
⑬	Label			
⑭	Identification label			
⑮	Span Adjust			
⑯	Zero Adjust			

**SPECIFICATIONS**

PARAMETERS	MODEL	
	2424	2434
	CAPACITY (lbf)	
	50, 100, 250, 500, 1000	2K, 5K
<b>ACCURACY – (MAX ERROR)</b>		
Nonlinearity–% FS	±0.10	±0.10
Hysteresis–% FS	±0.08	±0.08
Nonrepeatability–% RO	±0.03	±0.03
Creep, in 20 min–%	±0.05	±0.05
<b>TEMPERATURE</b>		
Compensated Range–°F	15 to 115	15 to 115
Compensated Range–°C	-10 to 45	-10 to 45
Operating Range–°F	-20 to 200	-20 to 200
Operating Range–°C	-30 to 93	-30 to 93
Effect on Zero–%RO/°F – MAX	±0.005	±0.005
Effect on Output–%RO/°F – MAX	±0.009	±0.009
<b>ELECTRICAL *Rated Output mA</b>		
*Tension or Compression (unipolar)	+16.000 ±0.032	
*Universal Tension (bipolar)	+8.000 ±0.016	
*Universal Compression (bipolar)	-8.000 ±0.016	
Zero Balance	4.000 ±0.100 (unipolar)	12.000 ±0.100 (bipolar)
Zero Adjustment	1 mA range	
Span Adjustment	5% range	
Supply Voltage range VDC	9-28	
Bandwidth Hz	2000	
<b>MECHANICAL</b>		
Safe Overload–% CAP	±150	
Deflection @ RO–inch	50 & 100: 0.003, 250 thru 5K: 0.002	
Optional Base–P/N	B319-2	
Natural Frequency–kHz	1.3, 2.2, 4.4, 6.0, 8.3, 9.1, 11.7	
Connector	PTWIH-10-6P	

**OPTIONS\* Page 169**

- Tension Base
- Submersible with Integral Cable
- Special Connectors
- Load Button
- 70-170°F Compensated Temperature Range
- Other Capacities Available
- See Transducer Electronic Data Sheet (TEDS) Page 149

**STANDARD CONFIGURATIONS**

PTWIH-10-6P Connector (24xxBLX-nn)

CONNECTOR PINOUTS	
PIN	FUNCTION
A	+SUPPLY
B	NO CONNECTION
C	NO CONNECTION
D	+OUTPUT(4-20mA)
E	CASE GROUND
F	NO CONNECTION

**ACCESSORIES\* Page 172**

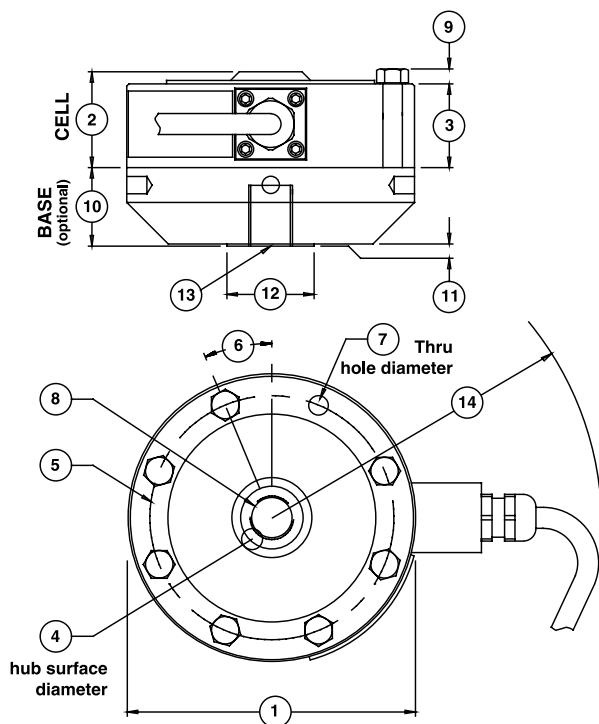
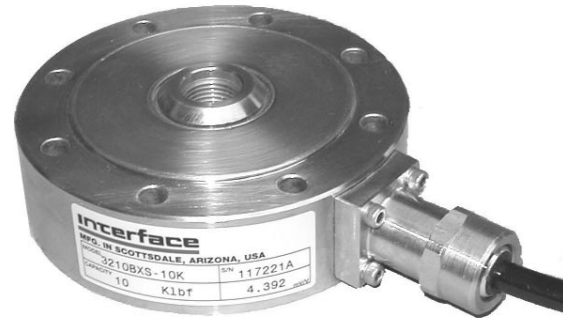
- Mating Connector
- Instrumentation
- Loading Hardware

*\*Please call for additional information*

# Model 3200 Standard Stainless Steel Load Cell

Why the Interface model 3200 Standard Stainless Steel Load Cell is the best in class:

- Proprietary Interface temperature compensated strain gages
- Hermetically sealed
- Performance to .05%
- Compact size
- High 4 mV/V output
- Eccentric load compensated
- .0008%/°F temp. effect on output
- Low deflection
- Shunt calibration
- Barometric compensation



## DIMENSIONS

See Drawing	3210		MODEL 3220		3232	
	CAPACITY (lbf)					
	2.5K, 5K, 10K		25K, 50K		100K	
	inch	mm	inch	mm	inch	mm
①	4.13	104.9	6.06	153.9	8.00	203.2
②	1.38	35.1	1.75	44.5	2.50	63.5
③	1.20	30.5	1.58	40.0	2.20	55.9
④	0.90	22.9	1.97	50.0	3.14	79.8
⑤	3.50	88.9	5.13	130.3	6.50	165.1
⑥	22.5°	22.5°	15.0°	15.0°	11.25°	11.25°
⑦	0.28	7.10	0.41	10.4	0.53	13.5
	8 places		12 places		16 places	
⑧	5/8-18 UNF-3B 1.12 in deep		1 1/4-12 UNF-3B 1.40 in deep		1 3/4-12 UNF-3B 2.15 in deep	
⑨	0.20	5.10	0.30	7.60	0.31	7.90
⑩	1.13	28.6	1.75	44.5	2.00	50.8
⑪	0.03	0.80	0.03	0.80	0.03	0.80
⑫	1.25	31.8	2.25	57.2	3.00	76.2
⑬	5/8-18 UNF-3B		1 1/4-12 UNF-3B		1 3/4-12 UNF-3B	
⑬	0.87 in deep		1.40 in deep		1.75 in deep	
⑭	4.80	121.9	5.52	140.2	5.30	134.6

**SPECIFICATIONS**

PARAMETERS	MODEL				
	3210	3210	3220	3220	3232
	CAPACITY (lbf)				
	2.5K, 5K	10K	25K	50K	100K
<b>ACCURACY – (MAX ERROR)</b>					
Static Error Band-% FS	±0.05	±0.05	±0.05	±0.05	±0.06
Nonlinearity-% FS	±0.05	±0.05	±0.05	±0.05	±0.05
Hysteresis-% FS	±0.06	±0.06	±0.06	±0.06	±0.06
Nonrepeatability-% RO	±0.01	±0.01	±0.01	±0.01	±0.01
Creep, 20 min-%	±0.025	±0.025	±0.025	±0.025	±0.025
Side Load Sensitivity-%	±0.25	±0.25	±0.25	±0.25	±0.25
Eccentric Load Sensitivity-%/in	±0.25	±0.25	±0.25	±0.25	±0.25
<b>TEMPERATURE</b>					
Compensated Range-°F	15 to 115	15 to 115	15 to 115	15 to 115	15 to 115
Compensated Range-°C	-10 to 45	-10 to 45	-10 to 45	-10 to 45	-10 to 45
Operating Range-°F	-65 to 200	-65 to 200	-65 to 200	-65 to 200	-65 to 200
Operating Range-°C	-55 to 90	-55 to 90	-55 to 90	-55 to 90	-55 to 90
Effect on Zero-%RO/°F – MAX	±0.0008	±0.0008	±0.0008	±0.0008	±0.0008
Effect on Output-%/°F – MAX	±0.0008	±0.0008	±0.0008	±0.0008	±0.0008
<b>ELECTRICAL</b>					
	(2.5K 2.0)				
Rated Output-mV/V (Nominal)	4.0	4.0	4.0	4.0	4.0
Excitation Voltage-VDC – MAX	20	20	20	20	20
Bridge Resistance-Ohm (Nominal)	350	350	350	350	350
Zero Balance-% RO	±1.0	±1.0	±1.0	±1.0	±1.0
Insulation Resistance-Megohm	5000	5000	5000	5000	5000
<b>MECHANICAL</b>					
Safe Overload-% CAP	±150	±150	±150	±150	±150
Deflection @ RO-inch	0.002	0.002	0.002	0.002	0.003
Optional Base-P/N	B302	B302	B303	B303	B312
Natural Frequency-kHz	6.6	9.4	6.5	7.0	5.8
Weight-lb	3.3	3.3	9.5	9.5	26
Calibration	T & C	T & C	T & C	T & C	T & C

**OPTIONS\* Page 169**

- Base (Recommended)
- Submersible Cable
- Compression Overload Protection
- Cable length (20 ft Standard)
- Multiple Bridge
- Standardized Output
- See Transducer Electronic Data Sheet (TEDS) Page 149

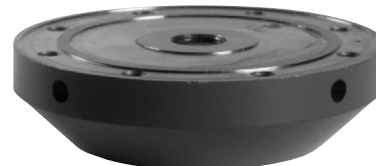
**ACCESSORIES\* Page 172**

- Instrumentation
- Loading Hardware
- Load Button
- Top & Bottom Plates

\*See appendix for more technical information

**STANDARD CONFIGURATIONS**

- Integral 20 ft Cable (32xxBFG-nn)
- Installed Base (-B suffix)

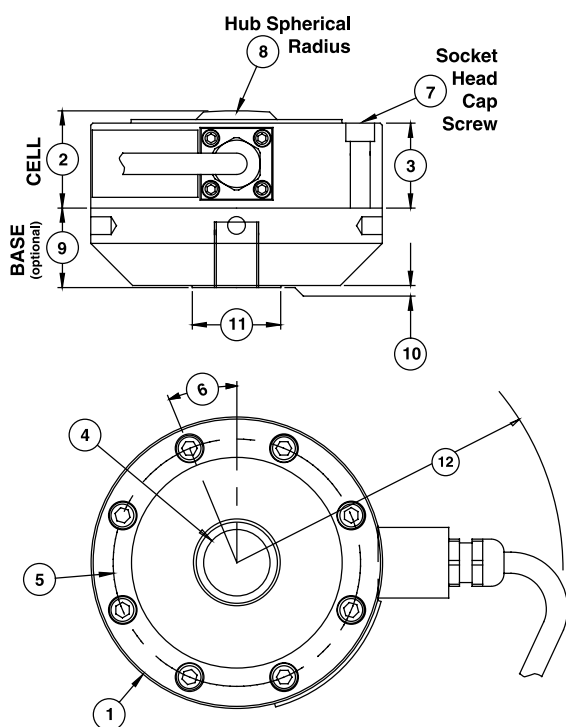


*Optional base*

# Model 3200 Standard Stainless Steel Compression-Only Load Cell

Why the Interface model 3200 Standard Stainless Steel Compression-Only Load Cell is the best in class:

- Proprietary Interface temperature compensated strain gages
- Hermetically sealed cell
- Performance to .04%
- Compact size
- High 4 mV/V output
- Eccentric load compensated
- .0008%/°F temp. effect on output
- Low deflection
- Shunt calibration
- Barometric compensation



## DIMENSIONS

See Drawing	3211		MODEL 3221		3231	
	2.5K, 5K, 10K		CAPACITY (lbf) 25K, 50K		100K	
	inch	mm	inch	mm	inch	mm
①	4.13	104.9	4.75	120.7	7.50	203.2
②	1.38	35.1	1.75	44.4	2.25	57.2
③	1.20	30.5	1.58	40.1	1.95	49.5
④	0.90	22.9	1.19	30.2	2.67	67.8
⑤	3.50	88.9	4.00	101.6	6.25	158.8
⑥	22.5°	22.5°	45.00°	45.0°	15.0°	15.0°
⑦	1/4-28 x 1 1/4		5/16-24 x 1 1/2		7/16-20 x 2	
	8 places		4 places		12 places	
⑧	6.00	152.40	6.00	152.40	8.00	203.20
⑨	1.13	28.70	1.25	31.80	2.00	50.80
⑩	0.03	00.80	0.03	00.80	0.03	00.80
⑪	1.25	31.80	2.00	50.80	3.00	76.20
⑫	4.80	121.90	5.61	142.50	5.30	134.60



**SPECIFICATIONS**

PARAMETERS	MODEL				
	3211	3211	3221	3221	3231
	CAPACITY (lbf)				
	2.5K, 5K	10K	25K	50K	100K
<b>ACCURACY – (MAX ERROR)</b>					
Static Error Band-% FS	±0.04	±0.04	±0.04	±0.04	±0.04
Nonlinearity-% FS	±0.05	±0.05	±0.05	±0.05	±0.05
Hysteresis-% FS	±0.06	±0.06	±0.06	±0.06	±0.06
Nonrepeatability-% RO	±0.01	±0.01	±0.01	±0.01	±0.01
Creep, 20 min-%	±0.025	±0.025	±0.025	±0.025	±0.025
Side Load Sensitivity-%	±0.25	±0.25	±0.25	±0.25	±0.25
Eccentric Load Sensitivity-%/in	±0.25	±0.25	±0.25	±0.25	±0.25
<b>TEMPERATURE</b>					
Compensated Range-°F	15 to 115	15 to 115	15 to 115	15 to 115	15 to 115
Compensated Range-°C	-10 to 45	-10 to 45	-10 to 45	-10 to 45	-10 to 45
Operating Range-°F	-65 to 200	-65 to 200	-65 to 200	-65 to 200	-65 to 200
Operating Range-°C	-55 to 90	-55 to 90	-55 to 90	-55 to 90	-55 to 90
Effect on Zero-%RO/°F – MAX	±0.0008	±0.0008	±0.0008	±0.0008	±0.0008
Effect on Output-%/°F – MAX	±0.0008	±0.0008	±0.0008	±0.0008	±0.0008
<b>ELECTRICAL</b>					
	(2.5K 2.0)				
Rated Output-mV/V (Nominal)	4.0	4.0	4.0	4.0	4.0
Excitation Voltage-VDC MAX	20	20	20	20	20
Bridge Resistance-Ohm (Nominal)	350	350	350	350	350
Zero Balance-% RO	±1.0	±1.0	±1.0	±1.0	±1.0
Insulation Resistance-Megohm	5000	5000	5000	5000	5000
<b>MECHANICAL</b>					
Safe Overload-% CAP	±150	±150	±150	±150	±150
Deflection @ RO-inch	0.002	0.002	0.002	0.002	0.003
Optional Base-P/N	B302	B302	B306	B306	B304
Natural Frequency-kHz	6.1	8.6	8.2	11.7	7.6
Weight-lb	3.3	3.3	6.8	6.8	13.5
Calibration	Compression	Compression	Compression	Compression	Compression

**OPTIONS\* Page 169**

- Base (Recommended)
- Submersible Cable
- Compression Overload Protection
- Cable length (20 ft Standard)
- Multiple Bridge
- Standardized Output
- See Transducer Electronic Data Sheet (TEDS) Page 149

**ACCESSORIES\* Page 172**

- Instrumentation
- Load Button
- Top & Bottom Plates

\*See appendix for more technical information

**STANDARD CONFIGURATIONS**

- Integral 20 ft Cable and Counterbored Mounting Holes (32xxBBE-nn)



*Optional base*

LOAD

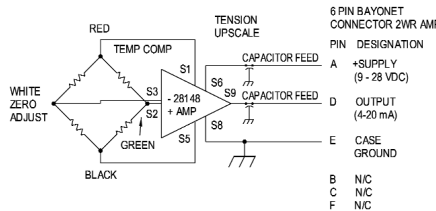
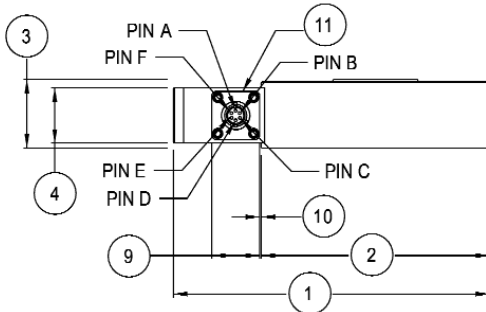
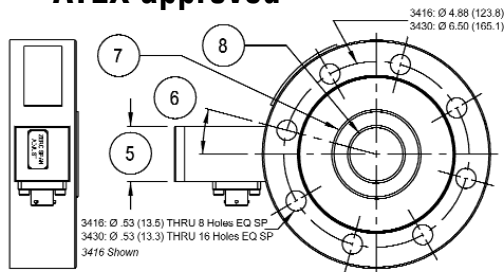
# Model 3416 & 3430 Coil Tubing Load Cells

Why the Interface model 3416 & 3430 Coil Tubing Load Cells are the best in class:

- Hermetically sealed cell
- Performance to .05%
- 4-20 mA
- ATEX approved



3430 Coil Tubing Load Cell Shown



## SPECIFICATIONS

### PARAMETERS

US Models (lbf) .....20K, 30K, 40K, 50K [60K]

### ACCURACY

Nonlinearity-% FS ..... ±0.05 [±0.10]  
Hysteresis-% FS ..... ±0.05 [±0.08]  
Nonrepeatability-% RO ..... ±0.02  
Creep, in 20 min-% ..... ±0.03  
Side Load Sensitivity-% ..... ±0.25  
Eccentric Load Sensitivity-%/in ..... 1.0

### TEMPERATURE

Compensated Range-°F ..... 0 to 150  
Compensated Range-°C ..... -18 to 65  
Operating Range-°F ..... -60 to 200  
Operating Range-°C ..... -50 to 93  
Effect on Zero-% RO/F - MAX ..... ±0.002  
Effect on Output-%/F - MAX ..... ±0.002

### ELECTRICAL

Rated Output-(Nominal) ..... 3416DJS 20K: -10K (4mA), +20K (20mA)  
3416DJR 30K: -30K (4mA), +30K (20mA)  
3416DMK 50K: -20K (4mA), +50K (20mA)  
3430DES 60K: -20K (4mA), +60K (20mA)

Excitation Voltage ..... +9 to +28 VDC, 15 VDC (Nominal)  
Bridge Resistance- Ω (Nominal) ..... 4000  
Zero Balance-% RO ..... +8.570 ±0.100  
Insulation Resistance-MΩ - MIN ..... 5000  
Loop Resistance-Ω - MAX ..... 0 @ Excitation = 9 VDC,  
950 @ Excitation = 28 VDC

### MECHANICAL

Safe Overload-% CAP ..... ±150  
Ultimate, Axial Load ..... ±300  
Safe Side Load-% CAP ..... 50  
Safe Load Axis Moment-% CAP x 1 in. .... 50  
Deflection ..... 0.002 [0.003]  
Weight-lb ..... 11.0 [23.0]  
Connector ..... PT1H-10-6P  
Seal ..... Environmental  
Flexure Material ..... Stainless Steel  
Calibration ..... T & C  
Natural Frequency-kHz ..... 90 [120]

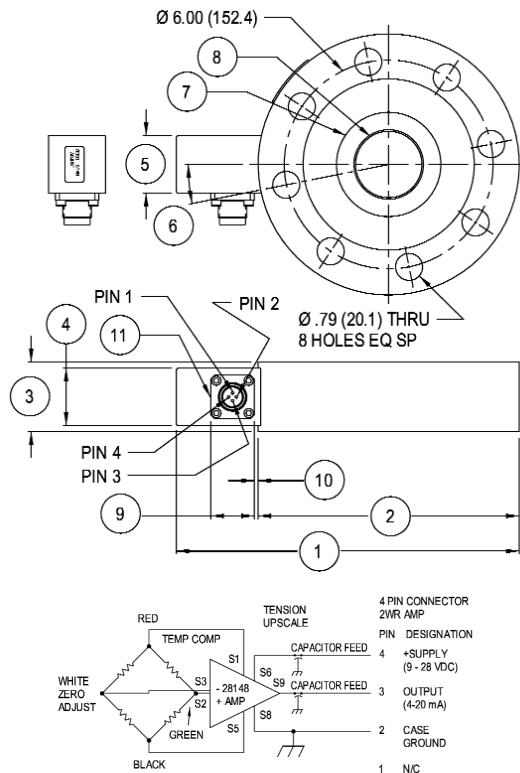
## DIMENSIONS

See Drawing	MODEL			
	3416		3430	
	CAPACITY (lbf) 20K, 30K, 50K		CAPACITY (lbf) 60K	
	inch	mm	inch	mm
①	8.31	211.1	10.35	262.9
②	6.00	152.4	8.00	203.2
③	1.80	45.7	2.50	63.5
④	1.45	36.8	1.65	41.9
⑤	1.45	36.8	1.65	41.9
⑥	15°		11.25°	
⑦	2.23	56.6	3.37	85.6
⑧	1.5-12 UNF-3B thru		2-12 UN-2B thru	
⑨	1.26	32.0	1.26	32.0
⑩	0.04	1.00	0.13	3.30
⑪	PT1H-10-6P		PT1H-10-6P	

# Model 3420 Coil Tubing Load Cells

Why the Interface model 3420 Coil Tubing Load Cell is the best in class:

- Hermetically sealed cell
- Performance to .05%
- 4-20 mA
- ATEX approved



## DIMENSIONS

See Drawing	MODEL 3420	
	CAPACITY (lbf) *40K, 50K	
	inch	mm
①	9.85	250.1
②	7.50	190.5
③	2.00	50.8
④	1.65	41.9
⑤	1.65	41.9
⑥	11.25°	
⑦	3.00	76.2
⑧	2-12 UN-3B thru	
⑨	1.26	32.0
⑩	0.11	2.70
⑪	Connector; see spec. table	

## SPECIFICATIONS

### PARAMETERS

US Models (lbf) .....40K, 50K

### ACCURACY

Nonlinearity-% FS ..... ±0.05  
 Hysteresis-% FS ..... ±0.05  
 Nonrepeatability-% RO ..... ±0.02  
 Creep, in 20 min-% ..... ±0.03  
 Side Load Sensitivity-% ..... ±0.25  
 Eccentric Load Sensitivity-%/in ..... 1.0

### TEMPERATURE

Compensated Range-°F ..... 0 to 150  
 Compensated Range-°C ..... -18 to 65  
 Operating Range-°F ..... -60 to 200  
 Operating Range-°C ..... -50 to 93  
 Effect on Zero-% RO/°F - MAX ..... ±0.002  
 Effect on Output-%/°F - MAX ..... ±0.002

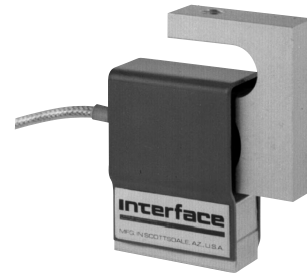
### ELECTRICAL

Rated Output-(Nominal) ..... 3420DJP 40K: -40K (4mA), +40K (20mA)  
 3420CLF 40K: -40K (4mA), +40K (20mA)  
 3420DJA 50K: -20K (4mA), +50K (20mA)  
 Excitation Voltage ..... +9 to +28 VDC, +15 VDC (Nominal)  
 Bridge Resistance-Ω (Nominal) ..... 4000  
 Zero Balance-% RO ..... +8.570 ±0.100  
 Insulation Resistance-MΩ - MIN ..... 5000  
 Loop Resistance-Ω - MAX ..... 0 @ Excitation = 9 VDC,  
 950 @ Excitation = 28 VDC

### MECHANICAL

Safe Overload-% CAP ..... ±150  
 Ultimate, Axial Load-% CAP ..... ±300  
 Safe Side Load-% CAP ..... 50  
 Safe Load Axis Moment-% CAP x 1 in. .... 50  
 Deflection ..... 0.003  
 Weight-lb ..... 18.0  
 Connector ..... 3420DJP 40K: PT1H-10-6P  
 3420CLF 40K: Jupiter REC-M-10TPN-04-16  
 Seal ..... Environmental  
 Flexure Material ..... Stainless Steel  
 Calibration ..... T & C  
 Natural Frequency-kHz ..... 90

# Model SM S-Type Load Cell (U.S. & Metric)



Why the Interface model SM S-Type Load Cell is the best in class:

- Proprietary Interface temperature compensated strain gages
- High performance
- .0008%/°F (.0015%/°C) temp. effect on output
- Lowest creep — 0.025%
- Tension & compression

## STANDARD CONFIGURATION

5 ft Integral Cable (SM-nn)

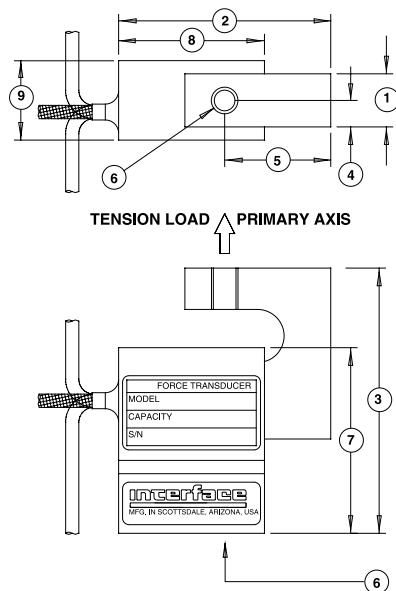
## OPTIONS\*

Extra Cable Length  
Standardized Output

## ACCESSORIES\*

Load Button  
Mounting Hardware  
Instrumentation

\*See appendix for more technical information



## SPECIFICATIONS

### ACCURACY – (MAX ERROR)

Nonlinearity—% FS .....	±0.03
Hysteresis—% FS .....	±0.02
Nonrepeatability—% RO .....	±0.01
Creep, in 20 min—% .....	±0.025

### TEMPERATURE

Compensated Range—°F .....	0 to 150
Compensated Range—°C .....	-15 to 65
Operating Range—°F .....	-65 to 200
Operating Range—°C .....	-55 to 90
Effect on Output—%/°F – MAX .....	±0.0008
Effect on Output—%/°C – MAX .....	±0.0015
Effect on Zero—% RO/°F – MAX .....	±0.0015
Effect on Zero—% RO/°C – MAX .....	±0.0027

### ELECTRICAL

Rated Output—mV/V (Nominal) .....	3.0
Zero Balance—% RO .....	±1.0
Bridge Resistance—Ohm (Nominal) .....	350
Excitation Voltage – MAX .....	15 VDC
Insulation Resistance—Megohm .....	> 5000

### MECHANICAL

Calibration .....	Tension
Safe Overload—% CAP .....	±150
Cable length—ft .....	5

### Natural Frequency/Deflection:

lbf	N	Deflection (inches)	Nat. Freq. (Hertz)
10	50	.003	600
25	100	.003	1000
50	200	.003	1550
100	500	.004	1850
250	1000	.006	2350
500	2000	.006	2150
1000	5000	.005	3350

## DIMENSIONS

See Drawing	CAPACITY			
	U.S. (lbf)	Metric (N)	U.S. (lbf)	Metric (N)
	10, 25, 50, 100, 150, 250	50, 100, 200 500, 1000	500 1000	2000 5000
	inch	mm	inch	mm
①	0.50	12.7	1.00	25.4
②	2.00	50.8	2.00	50.8
③	2.50	63.5	3.00	76.2
④	0.25	6.40	0.50	12.7
⑤	1.00	25.4	1.00	25.4
⑥	1/4-28 UNF-2B	M6 x 1-6H	1/2-20 UNF-2B	M12 x 1.75-6H
⑦	1.75	44.5	2.00	50.8
⑧	1.38	35.1	1.94	49.3
⑨	0.75	19.1	1.25	31.8

# Model SSM Sealed S-Type Load Cell (U.S. & Metric)



**Why the Interface model SSM Sealed S-Type Load Cell is the best in class:**

- Proprietary Interface temperature compensated strain gages
- Environmentally sealed
- .02% nonrepeatability
- .0008%/°F (.0015%/°C) temp. effect on output
- .025% creep
- Tension & compression

## STANDARD CONFIGURATION

10 ft Integral Cable (SSM-AJ-nn)  
 <or> PC04E-10-6P Standard Connector (SSM-AF-nn)  
 (Connector available only in 500-5K lbf capacities)

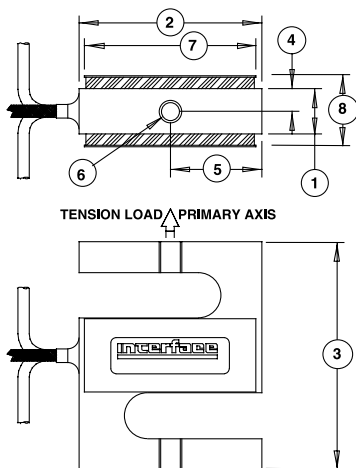
## OPTIONS\*

PC04E-10-6P Connector (SSM-500 and above)  
 LEMO Connector  
 Standardized Output  
 High Temperature  
 Extra Cable Length

## ACCESSORIES\*

Load Button  
 Instrumentation  
 Mounting Hardware

\*See appendix for more technical information



## SPECIFICATIONS

### ACCURACY – (MAX ERROR)

Nonlinearity-% FS .....±0.05  
 Hysteresis-% FS .....±0.03  
 Nonrepeatability-% RO .....±0.02  
 Creep, in 20 min-% .....±0.025

### TEMPERATURE

Compensated Range-°F .....0 to 150  
 Compensated Range-°C .....-15 to 65  
 Operating Range-°F .....-65 to 200  
 Operating Range-°C .....-55 to 90  
 Effect on Output-%/°F – MAX .....±0.0008  
 Effect on Output-%/°C – MAX .....±0.0015  
 Effect on Zero-% RO/°F – MAX .....±0.0015  
 Effect on Zero-% RO/°C – MAX .....±0.0027

### ELECTRICAL

Rated Output-mV/V (Nominal) .....3  
 Zero Balance-% RO .....±1  
 Bridge Resistance-Ohm (Nominal) .....350  
 Excitation Voltage – MAX .....15 VDC  
 Insulation Resistance-Megohm .....> 5000

### MECHANICAL

Calibration .....Tension  
 Safe Overload-% CAP .....150  
 Cable length-ft .....10  
 Natural Frequency/Deflection:

lbf	N	Deflection (inches)	Nat. Freq. (Hertz)
50	200	.003	1500
100	500	.004	1850
150	500	.004	1850
250	1000	.006	2350
500	2kN	.005	2150
750	n/a	.005	2350
1000	5kN	.005	3350
2000	10kN	.005	2400
3000	n/a	.005	3000
5000	20kN	.005	2520

## DIMENSIONS

See Drawing	CAPACITY							
	U.S. (lbf)	Metric (N)	U.S. (lbf)	Metric (N)	U.S. (lbf)	Metric (kN)	U.S. (lbf)	Metric (kN)
	inch	mm	inch	mm	inch	mm	inch	mm
①	50	200	100, 150, 250	500, 700, 1000	500, 750, 1K, 2K, 3K	2, 5, 10	5K	20
②	2.00	50.8	2.00	50.8	2.00	50.8	2.50	63.5
③	2.50	63.5	2.50	63.5	3.00	76.2	3.50	88.9
④	0.25	6.40	0.25	6.40	0.50	12.7	0.75	19.1
⑤	1.00	25.4	1.00	25.4	1.00	25.4	1.25	31.8
⑥	1/4-28 UNF-2B	M6 x 1-6H	1/4-28 UNF-2B	M6 x 1-6H	1/2-20 UNF-2B	M12 x 1.75-6H	5/8-18 UNF-2B	M16 x 2-6H
⑦	1.88	47.8	1.88	47.8	1.88	47.8	2.38	60.5
⑧	0.82	20.8	0.72	18.3	1.22	31.0	1.75	44.5

# Model ULC Ultra Low Capacity Load Cell

Why the Interface model ULC Ultra Low Capacity Load Cell is the best in class:

- Proprietary Interface temperature compensated strain gages
- Highest performance gram cell in the world
- Overload protected
- Safe side load overload to 5X capacity
- Low extraneous load sensitivity
- Low temperature effect on zero (0.002%/°F)
- Capacity down to 50 grams
- Tension & compression

## STANDARD CONFIGURATION

5 ft Cable (ULC-nnN)

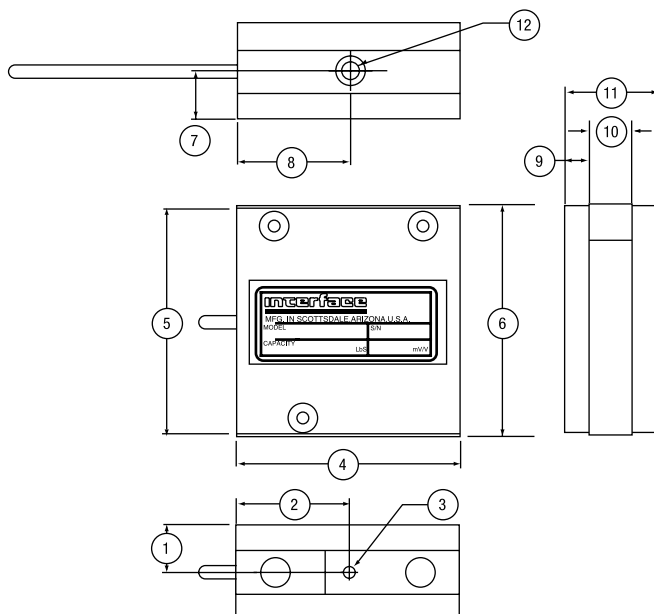
## OPTIONS\*

Extra Cable Length

## ACCESSORIES\*

Instrumentation

\*See appendix for more technical information



## SPECIFICATIONS

### ACCURACY – (MAX ERROR)

Nonlinearity-% FS	±0.04
Hysteresis-% FS	±0.04
Nonrepeatability-% RO	±0.04
Creep, in 20 min-% (0.5N)	±0.1
(All Others)	±0.05

### TEMPERATURE

Compensated Range-°F	15 to 115
Compensated Range-°C	-10 to 45
Operating Range-°F	-65 to 200
Operating Range-°C	-55 to 90
Effect on Output-%/°F – MAX	±0.001
Effect on Output-%/°C – MAX	±0.002
Effect on Zero-% RO/°F – MAX	±0.002
Effect on Zero-% RO/°C – MAX	±0.004

### ELECTRICAL

Rated Output-mV/V (Nominal)(0.5N)	±1.5
(All Others)	±2.0
Zero Balance-% RO (horiz.)	±2.0
Input Resistance-Ohms	350 +35/-3.5
Output Resistance-Ohms	350 ±3.5
Excitation Voltage – MAX	12 VDC
Insulation Resistance – Megohms	> 5000

### MECHANICAL

Calibration	T & C
Safe Axial Overload-% CAP	±1000
Safe Side Load Overload-% CAP	±500
Safe Load Axis Moment-% CAP x 1 in	±500
Cable length-ft	5

Natural Frequency/Deflection:

N	Deflection (inches)	Nat. Freq. (Hertz)
0.5	0.011	120
1	0.011	125
2	0.008	200

## DIMENSIONS

See Drawing	CAPACITY (N)*	
	inch	mm
①	0.42	10.6
②	0.99	25.1
③	4-40 UNC x 0.19 (4.8) Deep M3 x 5-6H	
④	1.98	50.3
⑤	1.96	49.8
⑥	2.00	50.8
⑦	0.42	10.6
⑧	0.99	25.1
⑨	0.23	5.8
⑩	0.38	9.5
⑪	0.84	21.2
⑫	1/4-28 UNF x 0.32 (8.1) Deep	

\*1 Newton = 102 gram force

Note: Other sizes are available – contact factory

# Model SMT S-Type Overload Protected Load Cell (U.S. & Metric)



Why the Interface model SMT S-Type Overload Protected Load Cell is the best in class:

- Proprietary Interface temperature compensated strain gages
- Overload protected in both tension & compression
- Safe overload to 10X capacity
- High performance
- Low creep
- 1 to 450 lbf

## STANDARD CONFIGURATION

5 ft Integral Cable

## OPTIONS\*

Alternate Cable Length  
Standardized Output

## ACCESSORIES\*

Instrumentation  
Mounting Hardware

\*See appendix for more technical information

## SPECIFICATIONS

### ACCURACY – (MAX ERROR)

Nonlinearity-% FS	±0.05
Hysteresis-% FS	±0.03
Nonrepeatability-% RO	±0.02
Creep, in 20 min-%	±0.025

### TEMPERATURE

Compensated Range-°F	0 to 125
Compensated Range-°C	-15 to 50
Operating Range-°F	-10 to 175
Operating Range-°C	-25 to 80
Effect on Output-%/°F – MAX	±0.0010
Effect on Output-%/°C – MAX	±0.0018
Effect on Zero-% RO/°F – MAX	±0.0015
Effect on Zero-% RO/°C – MAX	±0.0027

### ELECTRICAL

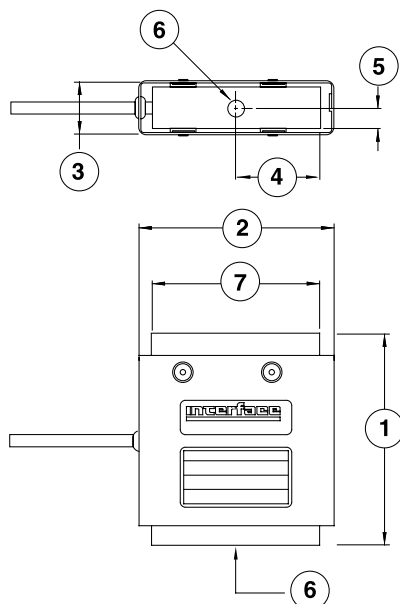
Rated Output-mV/V (Nominal)	2.0
Zero Balance-% RO	±3.0
Bridge Resistance-Ohm (Nominal)	350
Excitation Voltage – MAX	15 VDC
Insulation Resistance-Megohm	>5000

### MECHANICAL

Calibration	T & C
Safe Overload-% CAP (1.1, 2.2, 5.6, 11, 22, 56)	1000
(112, 225, 450)	500
Cable length-ft	5

### Natural Frequency/Deflection:

lbf	N	Deflection (inches)	Nat. Freq. (Hertz)
1.1	5	.014	100
2.2	10	.012	160
5.6	25	.011	260
11	50	.009	380
22	100	.007	600
56	250	.006	900
112	500	.007	600
225	1000	.007	1200
450	2000	.007	1500



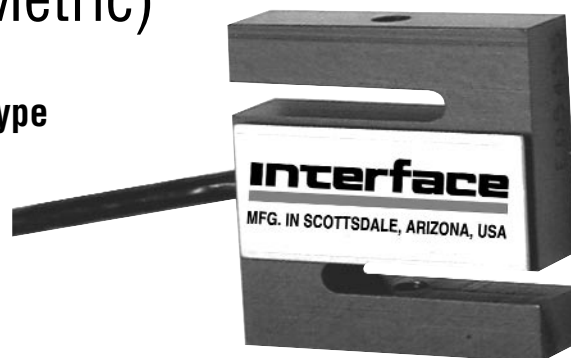
## DIMENSIONS

See Drawing	CAPACITY			
	SMT1		SMT2	
	U.S. (lbf)	Metric (N)	U.S. (lbf)	Metric (N)
	inch	mm	inch	mm
①	1.1, 2.2, 5.6, 11, 22, 56	5, 10, 25, 50, 100, 250	112, 225, 450	500, 1000, 2000
②	2.48	63.0	2.98	75.7
③	0.65	16.5	1.15	29.2
④	0.98	24.9	0.98	24.9
⑤	0.24	6.1	0.49	12.4
⑥	1/4-28 UNF-3B 0.31 deep	M6 x 1-6H 8.0 deep	1/2-20 UNF-3B 0.57 deep	M12 x 1.75-6H 14.5 deep
⑦	1.96	49.8	1.96	49.8

# Model SMA Series Miniature S-Type Load Cell (U.S. & Metric)

Why the Interface model SMA Miniature S-Type Load Cell is the best in class:

- Proprietary Interface temperature compensated strain gages
- Performance to .05%
- Small compact design
- Tension & compression



## SPECIFICATIONS

### ACCURACY – MAX

Nonlinearity-% FS.....	±0.05
Hysteresis-% FS.....	±0.05
Nonrepeatability-% RO.....	±0.02
Creep, in 20 min-%.....	±0.05

### TEMPERATURE

Compensated Range-°F.....	15 to 115
Compensated Range-°C.....	-10 to 45
Operating Range-°F.....	-65 to 200
Operating Range-°C.....	-55 to 90
Effect on Output-%/°F – MAX.....	±0.0008
Effect on Output-%/°C – MAX.....	±0.0014
Effect on Zero-% RO/°F – MAX.....	±0.005
Effect on Zero-% RO/°C – MAX.....	±0.009

### ELECTRICAL

Rated Output-mV/V (nominal).....	2.5
Zero Balance-%RO.....	-0.6 to 0.0
Bridge Resistance-Ohm (nominal).....	350
Excitation Voltage-MAX.....	15 VDC
Insulation Resistance-Megohm.....	>5000

### MECHANICAL

Calibration.....	Tension
Safe Overload-% CAP.....	150
Cable length-ft.....	5

## STANDARD CONFIGURATION

5 ft Integral Cable (SMA-nn)

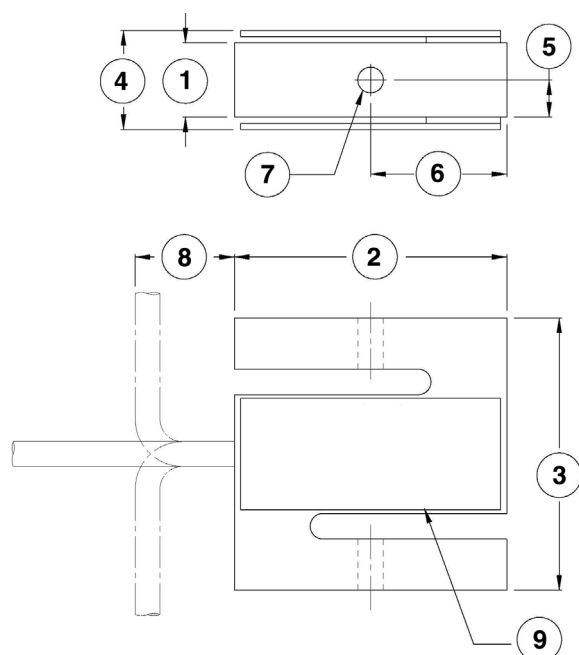
## OPTIONS\*

Extra Cable Length  
Standardized Output

## ACCESSORIES\*

Instrumentation

\*See appendix for more technical information



## DIMENSIONS

See Drawing	CAPACITY	
	US (lbf)	Metric (N)
	15, 100, 150, 200	60, 500, 600, 900
	inch	mm
①	0.38	9.53
②	1.38	35
③	1.38	35
④	0.56	14.2
⑤	0.19	4.8
⑥	0.69	17.5
⑦	#8-32 UNF - 2B	M4 X .7 - 6
⑧	0.5	12.7
⑨	Identification Label	



# Model SML Low Height Load Cell

Why the Interface model SML Low Height Load Cell is the best in class:

- Proprietary Interface temperature compensated strain gages
- From 3/4" high
- Performance to .05%
- Low extraneous load sensitivity
- Tension & compression
- .0008%/°F temperature effect on output
- Overload protection (SML-5 and SML-10)



## STANDARD CONFIGURATION

5 ft Integral Cable (SML-nn)

## OPTIONS\*

Extra Cable Length  
Studs Instead of Threaded Holes

## ACCESSORIES\*

Instrumentation

\*See appendix for more technical information

## SPECIFICATIONS

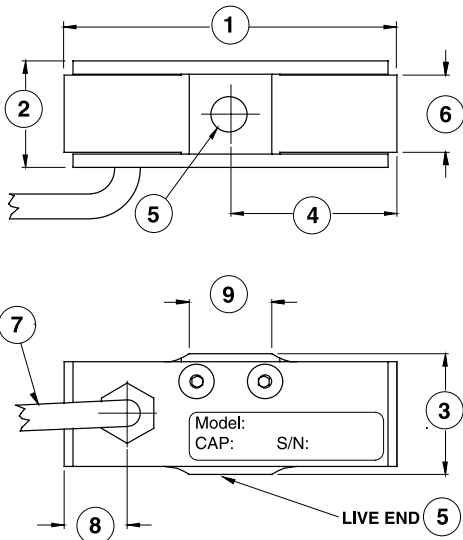
<b>ACCURACY - (MAX ERROR)</b>	5-300	500, 1000
Nonlinearity-% FS	±0.05	±0.10
Hysteresis-% FS	±0.05	±0.10
Nonrepeatability-% RO	±0.03	
Creep, in 20 min-%	±0.05	

<b>TEMPERATURE</b>		
Compensated Range-°F	0 to 150	
Compensated Range-°C	-15 to 65	
Operating Range-°F	-65 to 200	
Operating Range-°C	-55 to 90	
Effect on Output-%/°F - MAX	±0.0008	
Effect on Zero-% RO/°F - MAX	±0.005	

<b>ELECTRICAL</b>		
Rated Output-mV/V (Nominal)	2.0	
Zero Balance-% RO	±1.0	
Bridge Resistance-Ohm (Nominal)	350	
Excitation Voltage - MAX	15 VDC	
Insulation Resistance - Megohm	> 5000	

<b>MECHANICAL</b>		
Calibration	T & C	
Safe Overload-% CAP:		
5, 10 lbf	800	
25-1000 lbf	150	
Cable length-ft	5	
Natural Frequency/Deflection:		

lbf	Deflection (inches)	Nat. Freq. (Hertz)
5, 10	.005	3000
25	.004	2500
50	.003	3300
100	.003	5000
200, 300	.003	4500
500, 1000	.003	1800



## DIMENSIONS

See Drawing	CAPACITY (lbf)					
	5, 10		25, 50, 100		200, 300, 500, 1000	
	inch	mm	inch	mm	inch	mm
①	1.80	45.7	2.00	50.8	2.12	53.8
②	0.52	13.2	0.64	16.4	0.90	22.9
③	0.73	18.6	0.73	18.6	0.98	24.9
④	0.90	22.9	1.00	25.4	1.06	26.9
⑤	10-32 UNF-2B .20 deep		1/4-28 UNF-2B .25 deep		3/8-24 UNF-2B .38 deep	
⑥	0.34	8.6	0.46	11.8	0.72	18.3
⑦	0.13	3.3	0.13	3.3	0.13	3.3
⑧	0.29	7.4	0.38	9.7	.46	11.7
⑨	0.50	12.7	0.50	12.7	0.57	14.5

# Model WMC Miniature Sealed Stainless Steel Load Cell

## Capacities 5-500 lbf

Why the Interface model WMC Miniature Sealed Stainless Steel Load Cell is the best in class:

- Proprietary Interface temperature compensated strain gages
- Tension & compression
- Small size
- Environmentally sealed

### STANDARD CONFIGURATION

5 ft Integral Cable

### OPTIONS\*

Extra Cable Length  
Submersible

### ACCESSORIES\*

Instrumentation

\*See appendix for more technical information



### SPECIFICATIONS

#### ACCURACY - (MAX ERROR)

Nonlinearity-% FS	±0.15
Hysteresis-% FS	±0.15
Nonrepeatability-% RO	±0.05
Creep, in 20 min-%	±0.05

#### TEMPERATURE

Compensated Range-°F	15 to 115
Compensated Range-°C	-10 to 45
Operating Range-°F	-65 to 250
Operating Range-°C	-54 to 121
Effect on Output-%/°F - MAX	±0.002
Effect on Zero-% RO/°F - MAX	±0.005

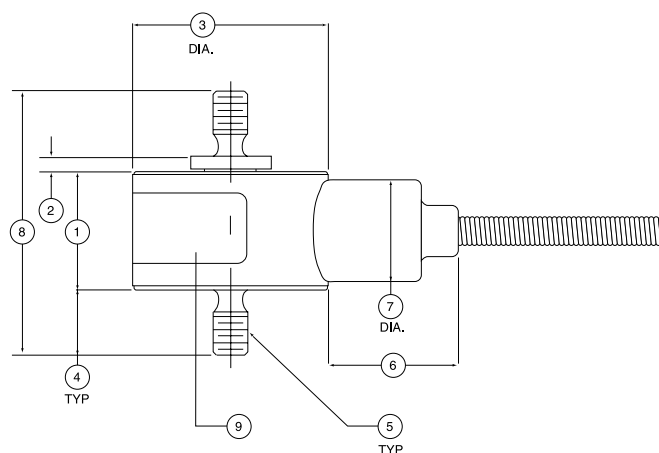
#### ELECTRICAL

Rated Output-mV/V (Nominal)	2.0
Zero Balance-% RO	±2.0
Bridge Resistance-Ohm (Nominal)	350
Excitation Voltage - MAX	12.0 VDC
Insulation Resistance - Megohm	> 5000

#### MECHANICAL

Calibration	T & C
Safe Overload-% CAP:	
5, 10 lbf	150
25-500 lbf	150
Cable length-ft	5

### DIMENSIONS



See Drawing	CAPACITY (lbf)					
	5, 10		25, 50, 100		250, 500	
	inch	mm	inch	mm	inch	mm
①	0.45	11.4	0.52	13.21	0.52	13.21
②	0.06	1.5	0.03	0.8	0.03	0.80
③	0.75	19.1	1.00	25.4	1.00	25.4
④	0.25	6.4	0.25	6.4	0.38	9.7
⑤	6-32 UNF		10-32 UNF		1/4-28 UNF	
⑥	0.50	12.7	0.50	12.7	0.50	12.7
⑦	0.39	9.9	0.39	6.4	0.39	6.4
⑧	1.01	25.6	1.05	26.7	1.31	33.3
⑨	label		label		label	

Lower capacities available, consult factory.

# Model WMC Miniature Sealed Stainless Steel Load Cell

## Capacities 1K-10K lbf

Why the Interface model WMC Miniature Sealed Stainless Steel Load Cell is the best in class:

- Proprietary Interface temperature compensated strain gages
- Tension & compression
- Small size
- Environmentally sealed

### STANDARD CONFIGURATION

5 ft Integral Cable

### OPTIONS\*

Extra Cable Length

### ACCESSORIES\*

Instrumentation

\*See appendix for more technical information



### SPECIFICATIONS

#### ACCURACY - (MAX ERROR)

Nonlinearity-% FS .....±0.20  
 Hysteresis-% FS .....±0.20  
 Nonrepeatability-% RO .....±0.05  
 Creep, in 20 min-% .....±0.05

#### TEMPERATURE

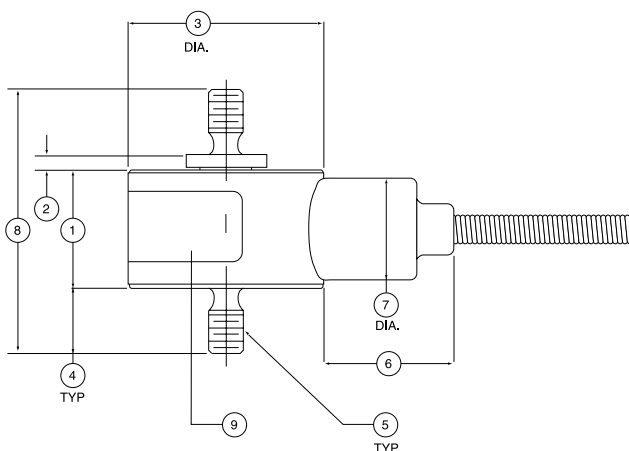
Compensated Range-°F .....15 to 115  
 Compensated Range-°C .....-10 to 45  
 Operating Range-°F .....-65 to 250  
 Operating Range-°C .....-54 to 121  
 Effect on Output-%/°F - MAX .....±0.002  
 Effect on Zero-% RO/°F - MAX .....±0.005

#### ELECTRICAL

Rated Output-mV/V (Nominal) .....2.0  
 Zero Balance-% RO .....±2.0  
 Bridge Resistance-Ohm (Nominal) .....350  
 Excitation Voltage - MAX .....15 VDC  
 Insulation Resistance - Megohm .....> 5000

#### MECHANICAL

Calibration .....T & C  
 Safe Overload-% CAP .....150  
 Cable length-ft .....5



### DIMENSIONS

See Drawing	CAPACITY (lbf)							
	1K		2K, 3K		5K		7.5K, 10K	
	inch	mm	inch	mm	inch	mm	inch	mm
①	0.53	13.4	0.72	18.3	0.94	23.9	1.09	27.7
②	0.03	0.8	0.03	0.8	0.03	0.8	0.03	0.8
③	1.00	25.4	1.00	25.4	1.25	31.8	1.38	34.9
④	0.38	9.7	0.50	12.7	0.63	16.0	0.88	22.4
⑤	0.250-28 UNF		0.375-24 UNF		0.500-20 UNF		0.750-16 UNF	
⑥	0.50	12.7	0.50	12.7	0.50	12.7	0.50	12.7
⑦	0.39	9.9	0.39	9.9	0.39	9.9	0.39	9.9
⑧	1.32	33.5	1.75	44.5	2.23	56.6	2.88	73.2
⑨	label		label		label		label	

# Model WMC Rod End Load Cell

Why the Interface model WMC Rod End Load Cell is the best in class:

- Proprietary Interface temperature compensated strain gages
- Environmentally sealed
- Stainless steel construction
- Low deflection
- Tension & compression

## STANDARD CONFIGURATION

PTWIH-10-6P Connector

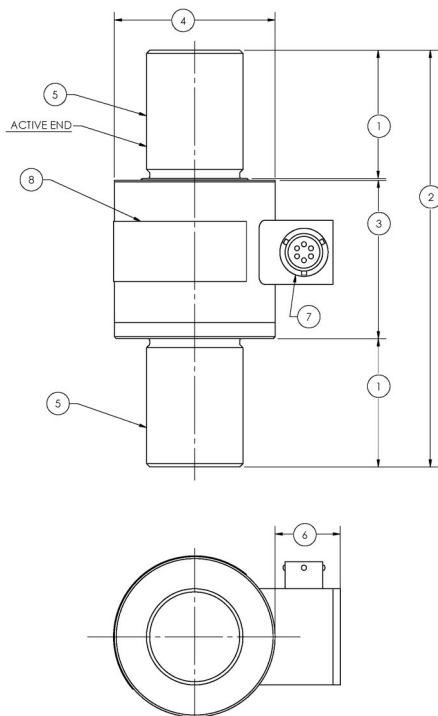
## OPTIONS\*

Integral Cable  
Standardized Output  
Amplifier

## ACCESSORIES\*

Instrumentation

\*See appendix for more technical information



## SPECIFICATIONS

### ACCURACY – MAX

Nonlinearity - % FS.....±0.10  
Hysteresis - % FS.....±0.10  
Nonrepeatability - % RO.....±0.05  
Creep, in 20 min - %.....±0.05

### TEMPERATURE

Compensated Range - °F.....15 to 115  
Compensated Range - °C.....-10 to 45  
Operating Range - °F.....-65 to 250  
Operating Range - °C.....-54 to 121  
Effect on Output - %/°F – MAX.....±0.004  
Effect on Output - %/°C – MAX.....±0.0072  
Effect on Zero - % RO/°F – MAX.....±0.0025  
Effect on Zero - % RO/°C – MAX.....±0.0045

### ELECTRICAL

Rated Output- mV/V (nominal).....2  
Zero Balance - %RO.....±1  
Bridge Resistance – Ohm (nominal).....350 ±3.5  
Excitation Voltage – MAX.....15 VDC  
Insulation Resistance – Megohm.....> 5000

### MECHANICAL

Calibration.....T & C  
Safe Overload - % CAP.....150

## DIMENSIONS

See Drawing	CAPACITY (lbf) 20K, 30K, 50K	
	inch	mm
①	2.00	50.8
②	6.5	165.1
③	2.47	62.7
④	2.5	63.5
⑤	1.5 - 12 UNF	
⑥	1.01	25.7
⑦	PTWIH-10-6P Connector	
⑧	Label	

# Model REC Rod End Load Cell

Why the Interface model REC Rod End Load Cell is the best in class:

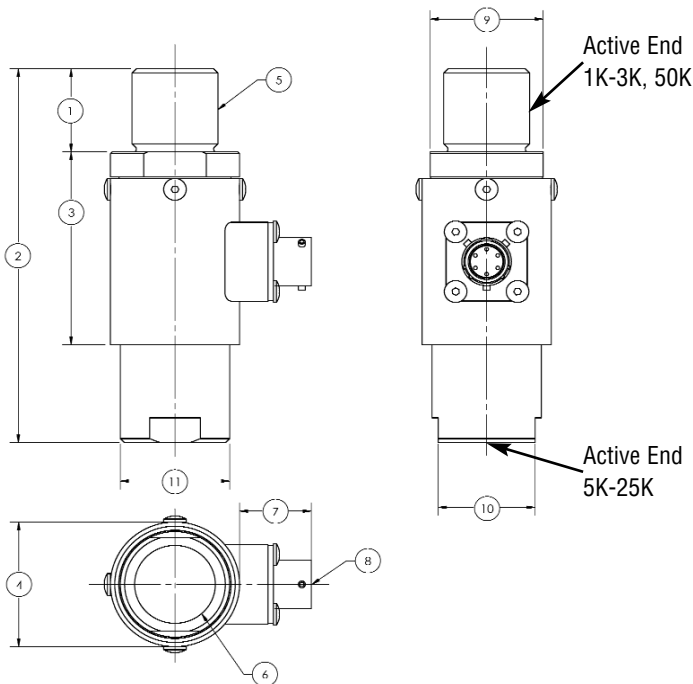
- Proprietary Interface temperature compensated strain gages
- Environmentally sealed
- Stainless steel construction (1K, 5 kN aluminum)
- Low deflection



LOAD

## DIMENSIONS

See Drawing	CAPACITY							
	U.S. (lbf)	Metric (kN)	U.S. (lbf)	Metric (kN)	U.S. (lbf)	Metric (kN)	U.S. (lbf)	Metric (kN)
	1K, 2K, 3K	5, 10, 13	5K, 10K	22, 45	15K 20K 25K	67 90 110	50K	220
	inch	mm	inch	mm	inch	mm	inch	mm
①	1.00	25.4	1.00	25.4	1.00	25.4	1.50	38.1
②	4.25	108	4.50	114.3	4.50	114.3	7.00	177.8
③	N/A	N/A	2.32	58.9	2.32	58.9	N/A	N/A
④	N/A	N/A	∅ 1.50	∅ 38.1	∅ 1.73	∅ 43.9	N/A	N/A
⑤	.750-16 UNF-3A		1.00-14 UNS-2A		1.00-14 UNS-2A		1.500-12 UNF-2A	
⑥	.750-16 UNF-2B X .88" deep		1.00-14 UNS-2B X 1.0" deep		1.00-14 UNS-2B X 1.0" deep		1.500-12 UNF-2B X 1.5" deep	
⑦	.83	21.1	.83	21.1	.85	21.6	.71	18
⑧	PT02E-10-6P Connector		PT02E-10-6P Connector		PT02E-10-6P Connector		PT02E-10-6P Connector	
⑨	1.13 Wrench Flats	28.7	1.31 Wrench Flats	33.3	1.50 Wrench Flats	38.1	1.75 Wrench Flats	44.5
⑩	1.31 Wrench Flats	33.3	1.13 Wrench Flats	28.7	1.31 Wrench Flats	33.3	2.25 Wrench Flats	57.2
⑪	1.50	38.1	∅ 1.27	∅ 32.3	∅ 1.50	∅ 38.1	∅ 2.50	∅ 63.5



## SPECIFICATIONS

### ACCURACY – (MAX ERROR)

Nonlinearity - % FS	±0.25
Hysteresis - % FS	±0.15
Nonrepeatability - % FS	±0.05

### TEMPERATURE

Compensated Range - °F	-60 to 160
Compensated Range - °C	-15 to 72
Operating Range - °F	-60 to 200
Operating Range - °C	-50 to 93
Effect on Output - %/°F	±0.005
Effect on Output - %/°C	±0.01
Effect on Zero - % RO/°F	±0.005
Effect on Zero - % RO/°C	±0.01

### ELECTRICAL

Rated Output- mV/V (nominal)	2
Zero Balance - %RO	±3
Bridge Resistance – Ohm (nominal)	350
Excitation Voltage – MAX	15 VDC

### MECHANICAL

Calibration	T & C
Safe Overload - % RO	150
Deflection	0.001 inch
Connector	PT02E-10-6P

## STANDARD CONFIGURATION

PT02E-10-6P Connector  
 5K-50K: MS3102E-14-5P Connector optional

## OPTIONS

Integral Cable  
 Standardized Output

## ACCESSORIES

Instrumentation  
 Mating Connector PT06A-10-6S-SR

Consult factory for more technical information

# Model LBM Compression Load Button

Why the Interface model LBM Compression Load Button is the best in class:

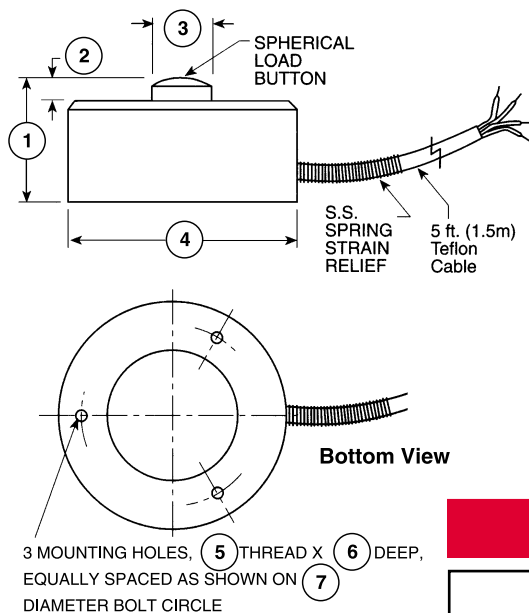
- Temperature compensated
- Integral load button
- Small diameter
- Environmentally sealed



## ACCESSORIES\*

Instrumentation

\*Please call for additional information



## SPECIFICATIONS

### ACCURACY – (MAX ERROR)

Nonlinearity-% FS .....±0.25  
 Hysteresis-% FS .....±0.25  
 Nonrepeatability-% RO .....±0.10

### TEMPERATURE

Compensated Range-°F .....60 to 160  
 Compensated Range-°C .....16 to 71  
 Operating Range-°F .....-65 to 250  
 Operating Range-°C .....-54 to 121  
 Effect on Zero-% RO/°F – MAX .....±0.005  
 Effect on Output-%/°F – MAX .....±0.01  
 Zero Balance % RO .....±2

### ELECTRICAL

Rated Output-mV/V (Nominal) .....2.0  
 Bridge Resistance-Ohm (Nominal) ....350  
 Excitation Voltage.....10 VDC

### MECHANICAL

Calibration .....Compression  
 Deflection .....0.004  
 Safe Overload-% CAP .....150  
 Ultimate Overload % of CAP .....300  
 Cable length-ft .....5  
 4-conductor Teflon insulated cable

## DIMENSIONS

See Drawing	CAPACITY (lbf)									
	LBM Series									
	25, 50, 100		250, 500, 1K, 2K		5K, 10K		20K		50K	
	inch	mm	inch	mm	inch	mm	inch	mm	inch	mm
①	0.62	15.7	0.39	9.90	0.63	16.0	1.0	25.4	1.50	38.1
②	0.05	1.30	0.07	1.80	0.08	2.00	0.12	3.00	0.18	4.60
③	0.21	5.30	0.32	8.10	0.43	10.9	0.60	15.0	0.78	19.8
④	1.00	25.4	1.25	31.8	1.50	38.1	2.00	50.8	3.00	76.2
⑤	4-40 UNC		6-32 UNC		6-32 UNC		6-32 UNC		6-32 UNC	
⑥	0.19	4.83	0.25	6.35	0.25	6.35	0.25	6.35	0.25	6.35
⑦	0.75	19.00	1.00	25.4	1.25	31.8	1.63	41.3	2.38	60.3

# Model LBS Miniature Compression Load Button

Why the Interface model LBS Miniature Compression Load Button is the best in class:

- Temperature compensated
- Integral load button
- Small diameter
- From .12" height



## ACCESSORIES\*

Instrumentation

\*Please call for additional information

## SPECIFICATIONS

### ACCURACY – (MAX ERROR)

Nonlinearity-% FS .....±0.50  
 Hysteresis-% FS .....±0.50  
 Nonrepeatability-% RO .....±0.10

### TEMPERATURE

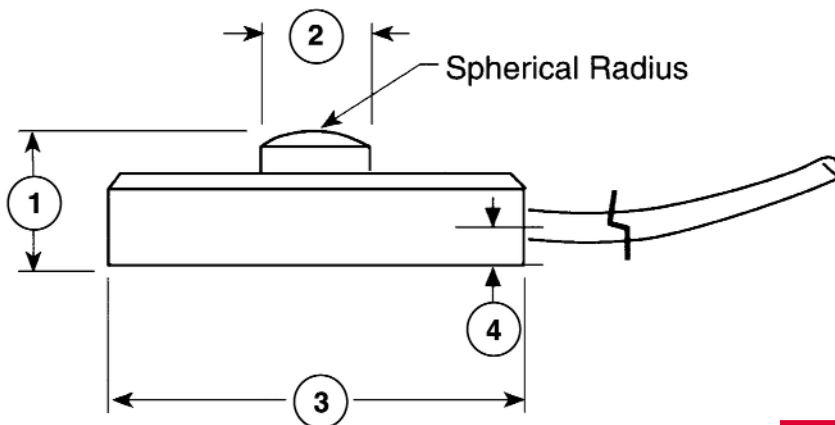
Compensated Range-°F .....60 to 160  
 Compensated Range-°C .....15 to 71  
 Operating Range-°F .....-65 to 225  
 Operating Range-°C .....-54 to 107  
 Effect on Zero-% RO/°F – MAX .....±0.005  
 Zero Balance % RO .....±2

### ELECTRICAL

Rated Output-mV/V (Nominal) .....2.0  
 Bridge Resistance-Ohm (Nominal) ....350  
 Excitation Voltage.....5 VDC  
 Excitation Voltage – MAX.....7 VDC

### MECHANICAL

Calibration .....Compression  
 Deflection .....0.001 - 0.003  
 Safe Overload-% CAP .....150  
 Ultimate Overload % of CAP .....300  
 Cable length-ft.....5  
 4-conductor Teflon insulated cable with temperature compensation board



## DIMENSIONS

See Drawing	CAPACITY (lbf)					
	LBS Series					
	5, 10, 25, 50		100, 250		500, 1K	
	inch	mm	inch	mm	inch	mm
①	0.12	3.00	0.15	3.80	0.25	6.4
②	0.09	2.20	0.12	3.00	0.24	6.10
③	0.38	9.60	0.50	13.0	0.75	19.0
④	.04	1.0	.06	1.5	.10	2.5

# Model MSC Small Diameter High Capacity Load Button

Why the Interface model MSC Small Diameter High Capacity Load Button is the best in class:

- Proprietary Interface temperature compensated strain gages
- Small compact design
- Environmentally sealed
- Stainless steel construction
- Low deflection

## STANDARD CONFIGURATION

5 ft Integral Cable

## OPTIONS\*

Extra Cable Length

## ACCESSORIES\*

Instrumentation

\*See appendix for more technical information



## SPECIFICATIONS

### ACCURACY – (MAX ERROR)

Nonlinearity - % FS.....	±0.05
Hysteresis - % FS.....	±0.05
Nonrepeatability - % RO.....	±0.10
Creep, in 20 min - %.....	±0.15

### TEMPERATURE

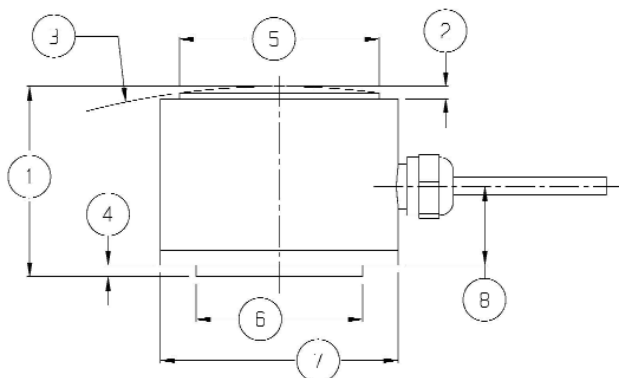
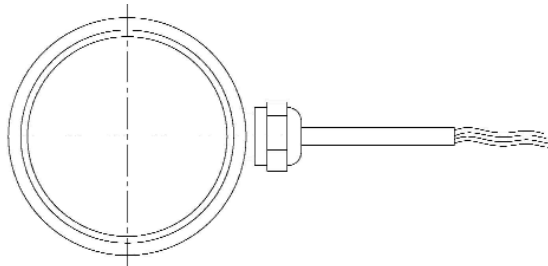
Compensated Range - °F.....	70 to 170
Compensated Range - °C.....	21 to 77
Operating Range - °F.....	-40 to 175
Operating Range - °C.....	-40 to 80
Effect on Output - %/°F – MAX.....	±0.009
Effect on Output - %/°C – MAX.....	±0.005
Effect on Zero - % RO/°F – MAX.....	±0.0036
Effect on Zero - % RO/°C – MAX.....	±0.002

### ELECTRICAL

Rated Output- mV/V (nominal).....	2 +40%/-20%
Zero Balance - %RO.....	±2
Bridge Resistance – Ohm (nominal).....	350 +50/-3.5
Excitation Voltage – MAX.....	15 VDC
Insulation Resistance – Megohm.....	5000

### MECHANICAL

Calibration.....	Compression
Safe Overload - % CAP.....	150
Cable length – ft.....	5



## DIMENSIONS

See Drawing	CAPACITY	
	U.S. (lbf)	Metric (N)
	15K, 20K, 30K	65K, 90K, 130K
	inch	mm
①	1.00	25.4
②	0.06	1.52
③	R 4.0 ±.5	101.6 ±13
④	0.06	1.52
⑤	1.05	26.67
⑥	0.875	22.23
⑦	1.25	31.75
⑧	.5 ±0.1	12.32

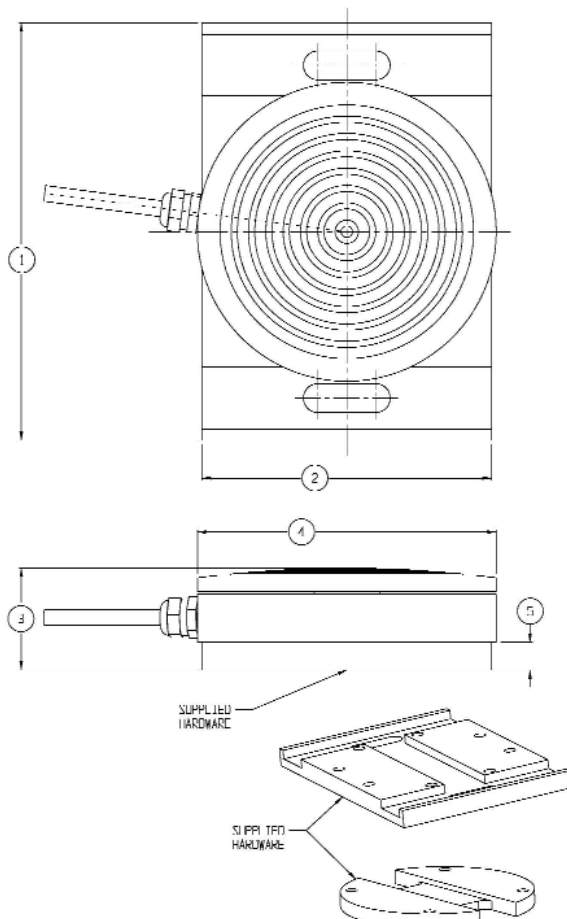


# Model BPL Pedal Load Cell

## Capacities 50-500 lbf

Why the Interface model BPL Pedal Load Cell is the best in class:

- Lowest nonlinearity and hysteresis of any brake pedal load cell – < 0.05%
- Ultra low height
- Low sensitivity to off-center loads - <1.0%/in
- Mounts directly to pedal with included strap(s)
- Interchangeable mounting plates
- Storage case included
- For use with gas, brake or clutch pedal
- Storage case included



### SPECIFICATIONS

#### ACCURACY – (MAX ERROR)

Static Error Band .....	±0.05
Nonlinearity-% FS .....	±0.05
Hysteresis-% FS .....	±0.05
Nonrepeatability-% RO .....	±0.02
Creep, in 20 min-% .....	±0.05
Eccentric Load Sensitivity-%/in .....	±1

#### TEMPERATURE

Compensated Range-°F .....	15 to 115
Compensated Range-°C .....	-10 to 45
Operating Range-°F .....	-65 to 200
Operating Range-°C .....	-55 to 90
Effect on Output-%/F-MAX .....	±0.001
Effect on Zero-% RO/F-MAX .....	±0.002

#### ELECTRICAL

Rated Output-mV/V (Nominal) .....	2.0
Zero Balance-% RO .....	±1.0
Bridge Resistance-Ohm (Nominal) .....	700
Excitation Voltage-MAX .....	15 VDC
Excitation Voltage-Nominal .....	10 VDC
Insulation Resistance-Megohm .....	> 5000
Deflection at Capacity (inch) .....	0.002

#### MECHANICAL

Calibration .....	Compression
Safe Overload-% CAP .....	150
Safe Overload-Side-% CAP .....	40, any direction
Cable .....	10 ft

### DIMENSIONS

See Drawing	CAPACITY (lbf)	
	50, 100, 200, 300, 500	
	inch	mm
①	3.60	91.4
②	2.50	63.5
③	0.88	22.3
④	2.58	65.5
⑤	0.24	6.1

# Model LW Load Washer

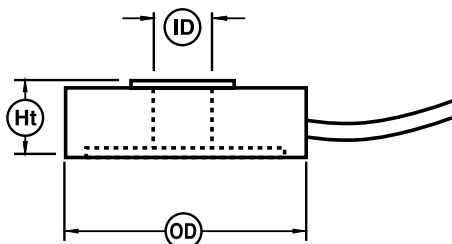
Why the Interface model LW Load Washer is the best in class:

- Capacities from 5 lbf to 100K lbf
- Wide selection of OD, ID, and height (as low as .25 in) combinations
- Stainless steel construction



## SPECIFICATIONS

PARAMETERS	MODEL	
	LW10xx LW12xx	LW15xx LW20xx LW25xx LW30xx LW31xx LW45xx
<b>ACCURACY – (MAX ERROR)</b> Combined Error-% FS	±1.0	±0.5
<b>TEMPERATURE</b>		
Compensated Range-°F	60 to 160	
Compensated Range-°C	16 to 71	
Operating Range-°F	-65 to 250	
Operating Range-°C	-54 to 121	
Effect on Zero-%RO/°F – MAX	±0.005	
Effect on Zero-%RO/°C – MAX	±0.009	
<b>ELECTRICAL</b>		
Rated Output-mV/V (Nominal)	2.00	
Bridge Resistance-Ohm (Nominal)	350	
Excitation Voltage – MAX	15 VDC	
<b>MECHANICAL</b>		
Safe Overload-% of RO	150	
Cable Length – ft	5	
Deflection @ R.O. – inch	.003	



(See dimensions on adjacent page)

## OPTIONS\*

Special Cable Length

## ACCESSORIES\*

Instrumentation

\*Please call for additional information



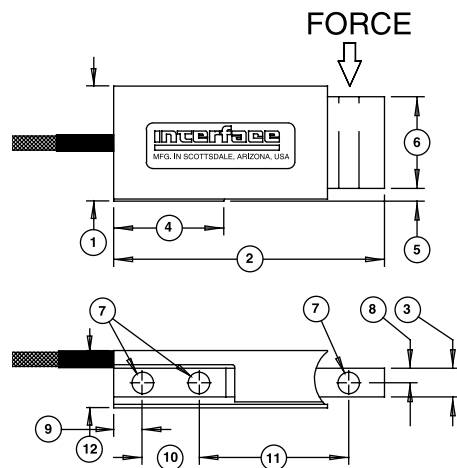
# Model MB Miniature Beam Load Cell

Why the Interface model MB Miniature Beam Load Cell is the best in class:

- Proprietary Interface temperature compensated strain gages
- Performance to .03%
- Low height – 1 in
- .0008%/°F temp. effect on output
- Low cost

## STANDARD CONFIGURATION

5 ft Integral Cable (MB-nn)



## SPECIFICATIONS

### ACCURACY – (MAX ERROR)

Nonlinearity-% FS	±0.03
Hysteresis-% FS	±0.02
Nonrepeatability-% RO	±0.01
Creep, in 20 min-%	±0.025

### TEMPERATURE

Compensated Range-°F	0 to 150
Operating Range-°F	-65 to 200
Effect on Output-%/°F – MAX	±0.0008
Effect on Zero-% RO/°F – MAX	±0.0015

### ELECTRICAL

Rated Output-mV/V (Nominal)	3.0
Zero Balance-% RO	±1.0
Bridge Resistance-Ohm (Nominal)	350
Excitation Voltage – MAX	15 VDC
Insulation Resistance-Megohm	5000

### MECHANICAL

Calibration	Compression
Safe Overload-% CAP	±150
Cable length-ft	5

Natural Frequency/Deflection:

lbf	Deflection (inches)	Nat. Freq. (hertz)
5	.005	950
10	.005	1300
25	.005	2250
50	.004	3300
75	.004	3900
100	.005	4000
150	.005	4750
250	.005	4400

## DIMENSIONS

See Drawing	CAPACITY (lbf)													
	5, 10		25		50		75		100		150		250	
	inch	mm	inch	mm	inch	mm	inch	mm	inch	mm	inch	mm	inch	mm
①	1.01	25.7	1.01	25.7	1.01	25.7	1.01	25.7	1.01	25.7	1.01	25.7	1.02	25.9
②	2.38	60.5	2.38	60.5	2.38	60.5	2.38	60.5	2.38	60.5	2.38	60.5	2.38	60.5
③	0.25	6.4	0.25	6.4	0.25	6.4	0.25	6.4	0.25	6.4	0.25	6.4	0.5	12.8
④	0.97	24.6	0.97	24.6	0.97	24.6	0.97	24.6	0.97	24.6	0.97	24.6	0.97	24.6
⑤	0.14	3.6	0.11	2.8	0.15	3.8	0.14	3.6	0.13	3.3	0.1	2.5	0.12	3
⑥	0.75	19.1	0.81	20.6	0.72	18.3	0.75	19.1	0.78	19.8	0.82	20.8	0.79	20.1
⑦	0.17	4.3	0.17	4.3	0.17	4.3	0.17	4.3	0.17	4.3	0.17	4.3	0.17	4.3
⑧	0.13	3.3	0.13	3.3	0.13	3.3	0.13	3.3	0.13	3.3	0.13	3.3	0.25	6.4
⑨	0.25	6.4	0.25	6.4	0.25	6.4	0.25	6.4	0.25	6.4	0.25	6.4	0.25	6.4
⑩	0.50	12.7	0.50	12.7	0.50	12.7	0.50	12.7	0.50	12.7	0.50	12.7	0.50	12.7
⑪	1.31	33.3	1.31	33.3	1.31	33.3	1.31	33.3	1.31	33.3	1.31	33.3	1.31	33.3
⑫	0.50	12.7	0.50	12.7	0.50	12.7	0.50	12.7	0.50	12.7	0.50	12.7	0.75	19.1

# Model MBP Miniature Beam Overload Protected Load Cell

Why the Interface model MBP Miniature Beam Overload Protected Load Cell is the best in class:

- Proprietary Interface temperature compensated strain gages
- 10X overload protection
- Low height – 1 in
- .0008%F temp. effect on output



LOAD

## STANDARD CONFIGURATION

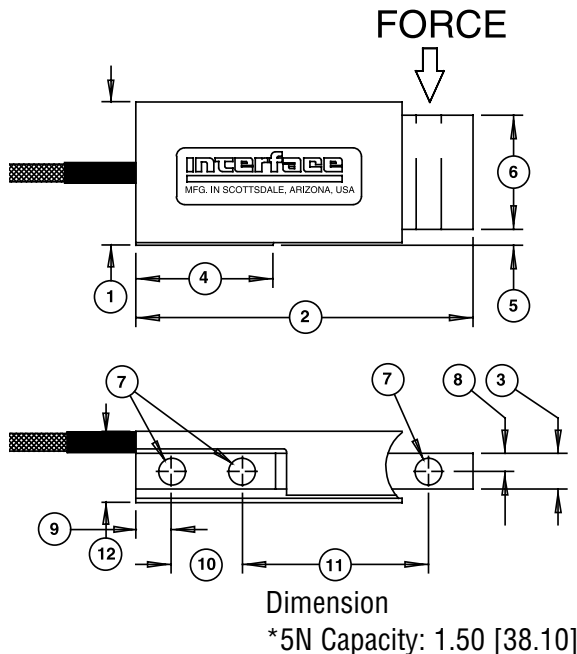
5 ft Integral Cable (MBP)

## OPTIONS\*

Cable Length  
Standardized Output

## ACCESSORIES\*

Instrumentation



## SPECIFICATIONS

**ACCURACY – (MAX ERROR)**

Nonlinearity-% FS .....	±0.03
Hysteresis-% FS .....	±0.02
Nonrepeatability-% RO .....	±0.01
Creep, in 20 min-% .....	±0.025

**TEMPERATURE**

Compensated Range-°F .....	0 to 150
Operating Range-°F .....	-65 to 200
Effect on Output-%/°F – MAX .....	±0.0008
Effect on Zero-% RO/°F – MAX .....	±0.0015

**ELECTRICAL**

Rated Output-mV/V (Nominal) .....	3.0
Zero Balance-% RO .....	±1.0
Bridge Resistance-Ohm (Nominal) .....	350
Excitation Voltage – MAX .....	15 VDC
Insulation Resistance-Megohm .....	5000

**MECHANICAL**

Calibration .....	Compression
Safe Overload-% CAP:	
2.5-10 lbf / 10-50 N .....	±1000
100 N .....	±500
Cable length-ft .....	5
Deflection @RO-inch .....	0.005 (0.13mm)

\*See appendix for more technical information

## DIMENSIONS

See Drawing	CAPACITY	
	U.S. (lbf)	Metric (N)
	2.5, 5, 10	*5, 10, 20, 50, 100
	inch	mm
①	1.01	25.7
②	2.38	60.5
③	0.25	6.4
④	0.97	24.6
⑤	0.14	3.6
⑥	0.75	19.1
⑦	0.17	4.3
⑧	0.13	3.3
⑨	0.25	6.4
⑩	0.50	12.7
⑪	1.31	*33.3
⑫	0.50	12.7

# Model MBI Fatigue Rated Mini Beam Overload Protected Load Cell

Why the Interface model MBI Fatigue Rated Mini Beam Overload Protected Load Cell is the best in class:

- Proprietary Interface temperature compensated strain gages
- Performance to .03%
- Low height – 1 in
- .0008%/°F temp. effect on output
- 10X overload protection
- Eccentric load compensated



## SPECIFICATIONS

### ACCURACY – (MAX ERROR)

Nonlinearity-% FS	±0.03
Hysteresis-% FS	±0.02
Nonrepeatability-% RO	±0.01
Creep, in 20 min-%	±0.025
Eccentric load sensitivity-%/in	0.02

### TEMPERATURE

Compensated Range-°F	70 to 170
Operating Range-°F	-40 to 175
Effect on Output-%/°F – MAX	±0.0008
Effect on Zero-% RO/°F – MAX	±0.002

### ELECTRICAL

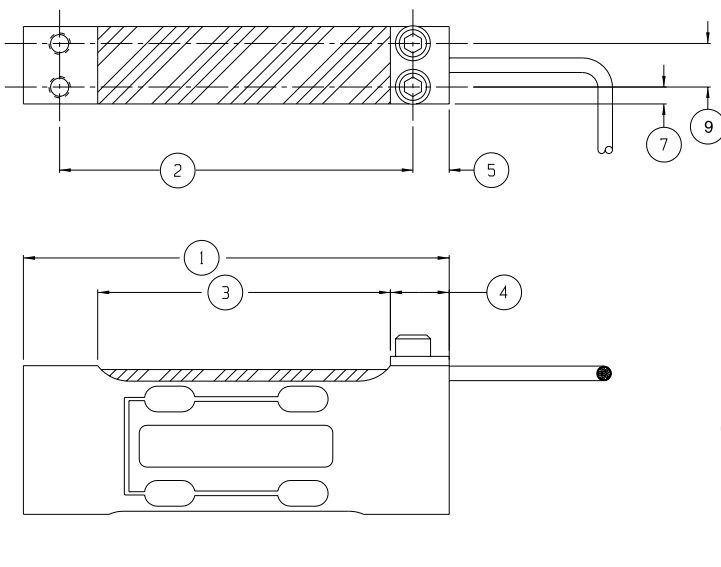
Rated Output-mV/V (Nominal)	2
Zero Balance-% RO	±1.0%
Bridge Resistance-Ohm (Nominal)	350
Excitation Voltage – MAX	15 VDC
Insulation Resistance-Megohm	5000

### MECHANICAL

Calibration	Compression
Safe Overload-% CAP	1000
Cable length-ft	5

## STANDARD CONFIGURATION

5 ft Integral Cable (MBI-nn)



## DIMENSIONS

See Drawing	CAPACITY	
	U.S. (lbf)	Metric (N)
	2, 5, 10	10, 20, 50
①	2.750	69.90
②	2.281	57.94
③	1.890	48.00
④	0.380	9.70
⑤	0.234	5.94
⑥	1.160	29.50
⑦	0.110	2.79
⑧	0.510	13.00
⑨	0.281	7.14
⑩	0.500	12.70

# Model SSB Sealed Beam Load Cell

Why the Interface model SSB Sealed Beam Load Cell is the best in class:

- Proprietary Interface temperature compensated strain gages
- .01% nonrepeatability
- Environmentally sealed
- .0008%/°F temp. effect on output
- Compact size

## STANDARD CONFIGURATION

10 ft Integral Cable (SSB-AJ-nn)  
<or> 10 ft Integral Cable & Standardized Output (SSB-AP-nn)

## OPTIONS\*

Extra Cable Length  
Standardized Output

## ACCESSORIES\*

Instrumentation  
Load Button

\*See appendix for more technical information



## SPECIFICATIONS

### ACCURACY – (MAX ERROR)

Nonlinearity-% FS .....±0.03  
Hysteresis-% FS .....±0.02  
Nonrepeatability-% RO .....±0.01  
Creep, in 20 min-% .....±0.025

### TEMPERATURE

Compensated Range-°F .....0 to 150  
Compensated Range-°C .....-15 to 65  
Operating Range-°F .....-65 to 200  
Operating Range-°C .....-55 to 90  
Effect on Output-%/°F – MAX .....±0.0008  
Effect on Zero-% RO/°F – MAX .....±0.0015

### ELECTRICAL

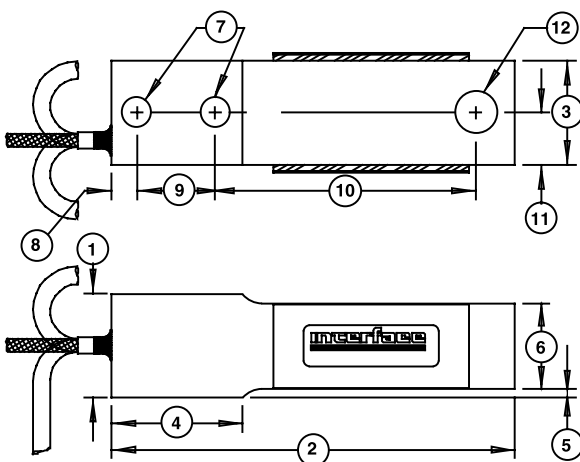
Rated Output-mV/V (Nominal) .....3.0  
Zero Balance-% RO .....±1.0  
Bridge Resistance-Ohm (Nominal) ....350  
Excitation Voltage – MAX .....15 VDC  
Insulation Resistance-Megohm .....5000

### MECHANICAL

Calibration .....Compression  
Safe Overload-% CAP .....±150  
Cable length-ft .....10

### Natural Frequency/Deflection:

lbf	Deflection (inches)	Nat. Freq. (Hertz)
50	.004	2130
100	.004	2400
250	.005	3000
500	.010	2220
1000	.013	1970

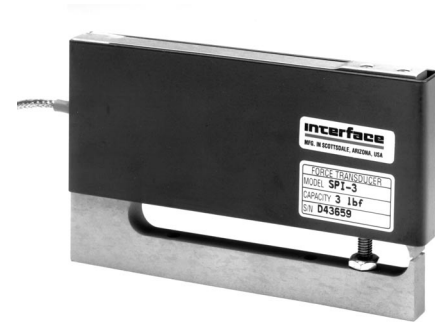


## DIMENSIONS

See Drawing	CAPACITY (lbf)									
	50		100		250		500		1000	
	inch	mm	inch	mm	inch	mm	inch	mm	inch	mm
①	0.98	24.9	0.98	24.9	0.98	24.9	1.00	25.4	1.50	38.1
②	2.38	60.5	2.38	60.5	2.38	60.5	3.88	98.6	5.00	127.0
③	0.50	12.7	0.50	12.7	0.50	12.7	1.00	25.4	1.00	25.4
④	0.97	24.6	0.97	24.6	0.97	24.6	1.25	31.8	1.75	44.5
⑤	0.11	2.80	0.11	2.80	0.11	2.80	0.09	2.30	0.10	2.50
⑥	0.82	20.8	0.82	20.8	0.82	20.8	0.82	20.8	1.36	34.5
⑦	0.17	4.30	0.17	4.30	0.17	4.30	0.28	7.10	0.41	10.3
⑧	0.25	6.40	0.25	6.40	0.25	6.40	0.25	6.40	0.38	9.70
⑨	0.50	12.7	0.50	12.7	0.50	12.7	0.75	19.1	1.00	25.4
⑩	1.31	33.3	1.31	33.3	1.31	33.3	2.50	63.5	3.25	82.6
⑪	0.25	6.40	0.25	6.40	0.25	6.40	0.50	12.7	0.50	12.7
⑫	0.17	4.30	0.17	4.30	0.17	4.30	0.40	10.2	0.40	10.2

# Model SPI Platform Scale Load Cell

Capacities 3-15 lbf



Why the Interface model SPI Platform Scale Load Cell is the best in class:

- Proprietary Interface temperature compensated strain gages
- .01% nonrepeatability
- 400% compression overload protection
- .0008%/°F temp. effect on output
- Eccentric load compensated

### STANDARD CONFIGURATION

5 ft Integral Cable (SPI-nn)

### OPTIONS\*

- Tension & Compression
- Overload Protection
- Extra Cable Length
- Standardized Output

### ACCESSORIES\*

Instrumentation

\*See appendix for more technical information

### SPECIFICATIONS

#### ACCURACY – (MAX ERROR)

Nonlinearity-% FS	±0.02
Hysteresis-% FS	±0.02
Nonrepeatability-% RO	±0.01
Creep, in 20 min-%	±0.025
Eccentric load sensitivity-%/in	0.012

#### TEMPERATURE

Compensated Range-°F	15 to 115
Compensated Range-°C	-10 to 45
Operating Range-°F	-65 to 200
Operating Range-°C	-55 to 90
Effect on Output-%/°F – MAX	±0.0008
Effect on Zero-% RO/°F – MAX	±0.0015

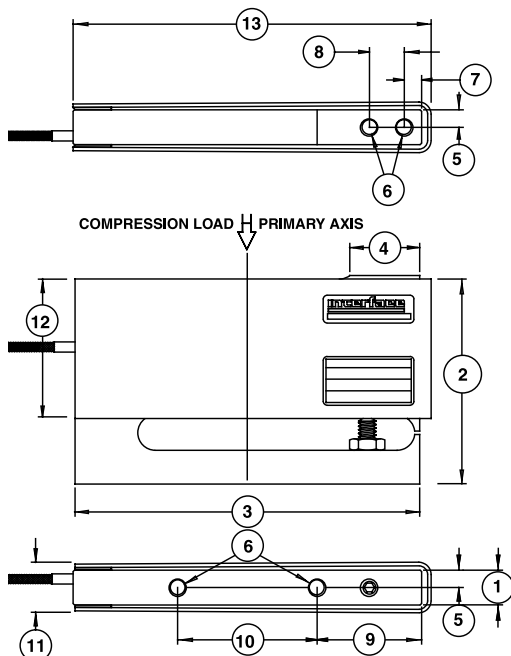
#### ELECTRICAL

Rated Output-mV/V (Nominal)	3.0
Zero Balance-% RO	±5.0
Bridge Resistance-Ohm (Nominal)	350
Excitation Voltage – MAX	15 VDC
Insulation Resistance-Megohm	5000

#### MECHANICAL

Calibration	Compression
Safe Overload-% CAP	400
Cable length-ft	5
Deflection @ RO-inch	to .015
Natural Frequency/Deflection:	

lbf	Deflection (inches)	Nat. Freq. (hertz)
3	.015	130
7.5	.009	220
15	.009	220



### DIMENSIONS

See Drawing	CAPACITY (lbf)					
	3		7.5		15	
	inch	mm	inch	mm	inch	mm
①	0.38	9.60	0.50	12.7	1.00	25.4
②	2.99	75.9	2.99	75.9	2.99	75.9
③	5.00	127	5.00	127	5.00	127
④	1.00	25.4	1.00	25.4	1.00	25.4
⑤	0.19	4.80	0.25	6.40	0.5	12.7
⑥	10-32 UNF-2B		1/4-28 UNF-2B		1/4-28 UNF-2B	
⑥	0.50 in deep		0.56 in deep		0.56 in deep	
⑦	0.25	6.40	0.25	6.40	0.25	6.40
⑧	0.50	12.7	0.50	12.7	0.50	12.7
⑨	1.50	38.1	1.50	38.1	1.50	38.1
⑩	2.00	50.8	2.00	50.8	2.00	50.8
⑪	0.62	15.7	0.75	19.0	1.25	31.8
⑫	2.00	50.8	2.00	50.8	2.00	50.8
⑬	5.13	130.3	5.13	130.3	5.13	130.3

LOAD



# Model SPI Platform Scale Load Cell Capacities 25-150 lbf



Why the Interface model SPI Platform Scale Load Cell is the best in class:

- Proprietary Interface temperature compensated strain gages
- .01% nonrepeatability
- Safe overload to 200%
- .0008%/°F temp. effect on output
- Eccentric load compensated

## STANDARD CONFIGURATION

5 ft Integral Cable (SPI-nn)

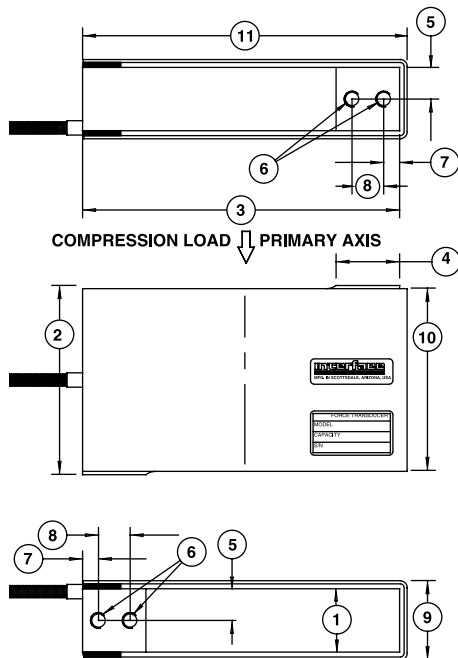
## OPTIONS\*

Extra Cable Length  
Standardized Output

## ACCESSORIES\*

Instrumentation

\*See appendix for more technical information



## SPECIFICATIONS

### ACCURACY – (MAX ERROR)

Nonlinearity–% FS	±0.02
Hysteresis–% FS	±0.02
Nonrepeatability–% RO	±0.01
Creep, in 20 min–%	±0.025
Eccentric load sensitivity–%/inch	0.002

### TEMPERATURE

Compensated Range–°F	15 to 115
Compensated Range–°C	-10 to 45
Operating Range–°F	-65 to 200
Operating Range–°C	-55 to 90
Effect on Output–%/°F – MAX	±0.0008
Effect on Zero–% RO/°F – MAX	±0.0015

### ELECTRICAL

Rated Output–mV/V (Nominal)	3.0
Zero Balance–% RO	±5.0
Bridge Resistance–Ohm (Nominal)	350
Excitation Voltage – MAX	15 VDC
Insulation Resistance–Megohm	5000

### MECHANICAL

Calibration	Compression
Safe Overload–% CAP	200
Cable length–ft	5
Deflection @ RO–inch	to .008
Natural Frequency/Deflection:	

lbf	Deflection (inches)	Nat. Freq. (hertz)
25	.008	240
50	.008	310
100	.007	470
150	.005	580

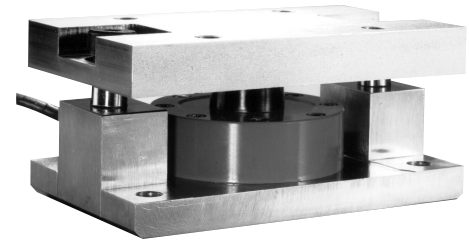
## DIMENSIONS

See Drawing	CAPACITY (lbf)			
	25, 50		100, 150	
	inch	mm	inch	mm
①	1.00	25.4	1.00	25.4
②	3.00	76.2	3.00	76.2
③	5.00	127	6.00	152.4
④	1.00	25.4	1.50	38.1
⑤	0.50	12.7	0.50	12.7
⑥	1/4-28 UNF-2B		1/4-28 UNF-2B	
⑥	0.56 in deep		0.56 in deep	
⑦	0.25	6.40	0.25	6.40
⑧	0.50	12.7	1.00	25.4
⑨	1.25	31.8	1.25	31.8
⑩	2.88	73.0	2.88	73.0
⑪	5.12	130	6.12	155.4

# Model A4200 & A4600 Weighcheck Load Cell

Why the Interface model A4200 and A4600 Weighcheck Load Cells are the best in class:

- Capacity ranges from 2.5K to 50K
- High output – 4 mV/V
- Self-centering in all directions
- High safe side load – to 400%
- Standardized output -  $\pm 0.1\%$
- Zinc plated (A4200) or stainless steel (A4600)
- Factory assembled for easy field installation
- Static/dynamic/in-motion capabilities
- Low height—4.0" for 2.5K, 5K & 10K;  
5.0" for 25K & 50K



## SPECIFICATIONS

### ACCURACY – (MAX ERROR)

Static Error Band—% FS	$\pm 0.05$
Nonlinearity—% FS	$\pm 0.05$
Hysteresis—% FS	$\pm 0.03$
Nonrepeatability—% RO	$\pm 0.02$
Creep, in 20 min—%	$\pm 0.025$

### TEMPERATURE

Compensated Range—°F	15 to 115
Compensated Range—°C	-10 to 45
Operating Range—°F	-65 to 200
Operating Range—°C	-55 to 90
Effect on Output—%/°F – MAX	$\pm 0.0008$
Effect on Zero—%/°F – MAX	$\pm 0.0008$

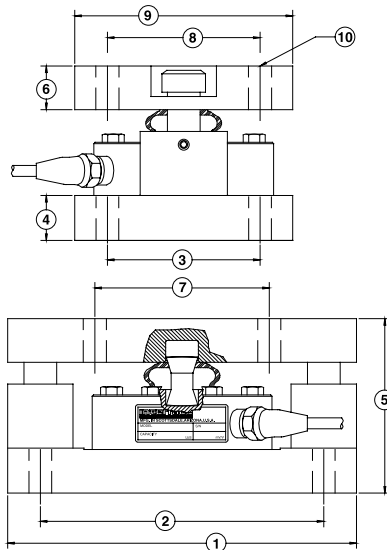
### ELECTRICAL

Rated Output—mV/V	4.000 $\pm 0.1\%$
(2.5K)	2.000 mV/V $\pm 0.1\%$
Zero Balance—% RO	$\pm 1.0$
Bridge Resistance—Ohms	350
Excitation Voltage – MAX	20 VDC
Insulation Resistance – Megohm	5000

### MECHANICAL

Calibration	Compression
Safe Overload—% CAP	150
Cable length—ft	30

Mount Model	Material	Range	Safe Side Load (lb) (% Range)
M4200-1	Alloy	5K	20K 400
M4200-1	Alloy	10K	20K 200
M4200-2	Alloy	25K	50K 200
M4200-2	Alloy	50K	50K 100
M4600-1	Stainless	5K	10K 200
M4600-1	Stainless	10K	10K 100
M4600-2	Stainless	25K	25K 100
M4600-2	Stainless	50K	25K 50



## OPTIONS\*

Zinc Plated (A4200)  
Stainless Steel (A4600)  
Special Cable Length

\*See appendix for more technical info.

## ACCESSORIES

9300	SGA
9390	Junction Box
UMC600	

## DIMENSIONS

See Drawing	MODEL			
	A4211 or A4611		A4221, A4621	
	CAPACITY (lbf)			
	2.5K, 5K, 10K		25K, 50K	
	inch	mm	inch	mm
①	8.00	203.2	10.00	254.0
②	6.50	165.1	7.75	196.9
③	3.50	88.9	4.50	114.3
④	1.00	25.4	1.25	31.8
⑤	4.00	101.6	5.00	127.0
⑥	1.00	25.4	1.25	31.8
⑦	4.00	101.6	5.00	127.0
⑧	3.50	88.9	4.50	114.3
⑨	5.00	127.0	6.00	152.4
⑩	0.52	13.2	0.78	19.8

# Model 2100 High Capacity Column Load Cell (U.S. & Metric)



LOAD

Why the Interface model 2100 High Capacity Column Load Cell is the best in class:

- Capacities to 1000K lbf or 4450 kN
- Performance to  $\pm 0.15\%$  FS
- Compact size
- Metric and English models

## OPTIONS\*

Compression-Only available. Ask factory for specifications and dimensions.

- Multiple Bridge
- Standardized Output
- ASTM E74 Calibration
- Special Thread Size
- Handles

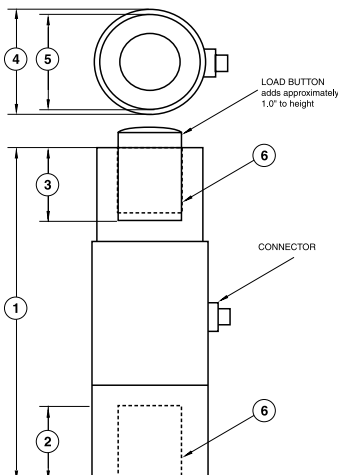
## ACCESSORIES\*

- Mating Connector
- Cable Assembly

\*Please consult factory for additional information

## SPECIFICATIONS

PARAMETERS	Cal Grade
<b>ACCURACY</b>	
Nonlinearity - %FS	$\pm 0.15$
Hysteresis - %FS	$\pm 0.05$
Nonrepeatability - %RO	$\pm 0.03$
Creep in 20 min - %	$\pm 0.05$
<b>TEMPERATURE</b>	
Compensated Range-°F	32 to 132
Operating Range-°F	-30 to 200
Effect on Zero-%RO/°F	0.003
Effect on Output-%/°F	0.003
<b>ELECTRICAL</b>	
Rated Output - mV/V (Nominal)	2.0
Excitation - V AC/DC - Nominal	10
Excitation - V AC/DC - Maximum	15
Bridge Resistance-Ohm (Nominal)	350
Zero Balance - %RO	$\pm 1.0$
Insulation Resistance - Megohm	> 5000
<b>MECHANICAL</b>	
Safe Overload-%CAP	150
Connector	MS3102A-14S-5P



## DIMENSIONS

See Drawing	MODEL 2160											
	CAPACITY (lbf/kN)											
	300K	1335 kN	400K	1780 kN	500K	2225 kN	600K	2670 kN	700K	3115 kN	1000K	4450 kN
	inch	mm	inch	mm	inch	mm	inch	mm	inch	mm	inch	mm
①	16.50	419.1	19.00	482.6	21.26	540.0	23.25	590.6	25.50	647.7	27.80	706.1
②	3.75	95.3	4.00	101.6	4.50	114.3	5.00	127.0	5.50	139.7	6.50	165.1
③	3.75	95.5	4.00	101.6	4.50	114.3	5.00	127.0	5.50	139.7	6.50	165.1
④	5.50	139.7	5.50	139.7	6.00	152.4	7.00	177.8	7.50	190.5	9.50	241.3
⑤	5.00	127.0	5.00	127.0	5.50	139.7	6.50	165.1	7.00	177.8	9.00	228.6
⑥	3 1/2-12	M76x2	3 1/2-12	M90x2	4-12	M100x2	4 1/2-8	M100x2	5-8	M125x4	6-8	M125x4

# Model T1 Torque Coupling Rotary Torque Transducer

Why the Interface model T1 Torque Coupling Rotary Torque Transducer is the best in class:

- Capacities from 50 to 1K Nm (442 to 8,850 lb-in)
- Shortest installed length
- Integrated double-flex disc coupling
- Hollow
- Bearingless non-contact design
- $\pm 15$  bit resolution
- 10 kHz sample rate
- $\pm 5$  VDC output



T1 Torque Coupling Rotary Torque Transducer

## OPTIONS

Enhanced Accuracy - 0.05%  
High RPM  
Speed Measurement - 30 Pulse +5V TTL  
Keyway Side 1 (Reduced max diam dA)  
 $\pm 10$  VDC Output  
RS485

## SPECIFICATIONS

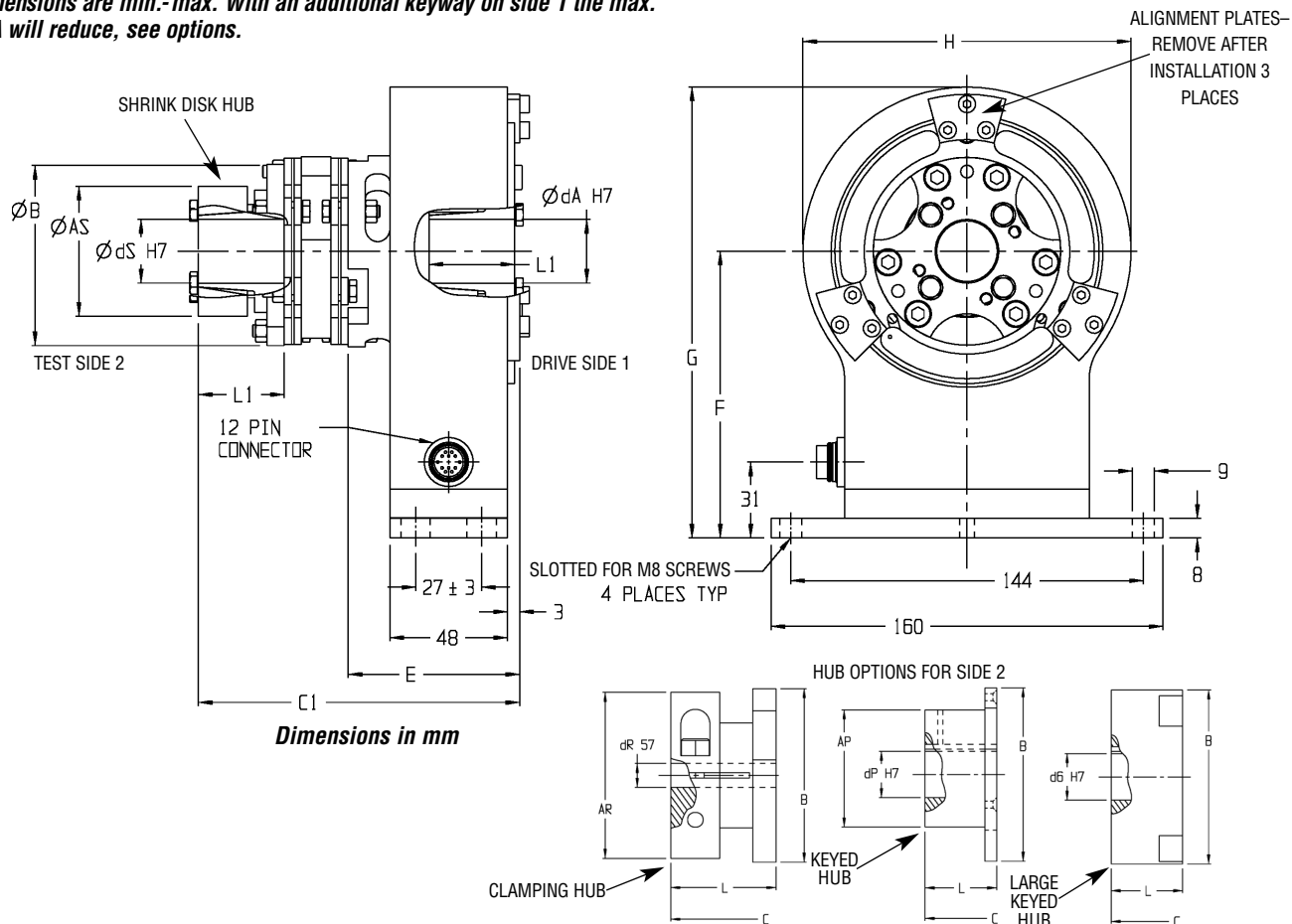
ACCURACY – (MAX ERROR)	Standard	Enhanced
Combined Error–% FS	$\pm 0.15$	$\pm 0.05$
Nonrepeatability–% FS	$\pm 0.02$	$\pm 0.005$
<b>TEMPERATURE</b>		
Effect on Zero–% RO/°C	$\pm 0.02$	$\pm 0.008$
Effect on Output–%/°C	$\pm 0.01$	$\pm 0.005$
Rated Range–°C	+5 to +45	
Operating Range–°C	0 to +60	
<b>ELECTRICAL</b>		
Output–VDC	$\pm 5$	
Bandwidth, Hz	3 kHz-3dB	
Sample Rate	10 kHz	
Calibration Signal–% FS	100	
Supply Voltage–VDC	12 to 18	
Supply Current–mA	<100	
Electrical Connection	12-pin	
<b>MECHANICAL</b>		
Safe Overload–% RO	200	
Cyclic Load Rating–% RO	$\pm 70$ peak	
Ultimate Overload–% RO	300	
Max Speed–rpm	13.6K-See Table	

T1 Torque Coupling Rotary Torque Transducer - Capacities 50 to 1K Nm

**DIMENSIONS**

Size (mm)																	
	AS	AR	AP	B	C	C1	dA*	dS*	dR*	dP*	dG*	E	F	G	H	L	L1
16	53	73	50	77	134.2	129.2	14-26	14-26	25-35	16-32	30-45	64	117	184	134	40	35
25	64	84	60	89	139.4	134.4	20-36	20-36	30-40	20-40	35-55	68	122.5	195	145	45	40
40	74	97	70	104	153.8	143.8	25-45	24-45	30-45	25-50	45-65	68	130.5	211	161	55	45
64	84	115	80	123	170.2	155.2	30-34	30-45	35-55	30-55	55-5	68	140	230	180	65	50
100	104	135	100	143	181	161	35-55	35-55	40-68	35-70	65-95	68	150	250	200	75	55

\*Dimensions are min.-max. With an additional keyway on side 1 the max. *dA* will reduce, see options.



Dimensions in mm

SIZE	Nominal Torque		Max. Revolution		*Max. Axial Load	*Axial Displcmnt Max. (mm)	*Angular Displcmnt Max. (°)	*Radial Displcmnt Max. (mm)	Springrate (Nm/rad)	Moment of Inertia (kg m <sup>2</sup> )	
	Nm	lb-in	Standard	Extended						Side 1	Side
16 (E)	50	443	6,800	13,600	150	0.25	0.05	6.3E+04	2.1E-03	1.0E-03	
	100	885									
	150	1.33K									
25 (F)	150	1.33K	5,900	11,800	190	0.25	0.05	1.3E+05	4.0E-03	1.8E-03	
	200	1.77K									
	250	2.21K									
40 (G)	200	1.77K	5,000	10,000	250	0.3	0.06	1.5E+05	6.4E-03	3.7E-03	
	300	2.66K									
	400	3.54K									
64 (H)	400	3.54K	4,300	8,500	450	0.3	0.06	3.6E+05	9.3E-03	8.5E-03	
	500	4.43K									
	600	5.31K									
100 (J)	600	5.31K	3,700	7,300	600	0.45	0.07	5.5E+05	1.9E-02	1.6E-02	
	750	6.64K									
	1K	8.85K									

\*Single values may not reach the maximum values simultaneously. Moments of inertia apply to clamping hub at largest bore.

# Model T2 Precision Rotary Torque Transducer

Why the Interface model T2 Precision Rotary Torque Transducer is the best in class:

- Capacities from 0.1 to 20K Nm (0.88 to 177K lb-in)
- $\pm 5$  VDC output
- Digital electronics
- Stainless steel shaft
- 12 to 28 VDC supply
- Contactless
- 10 kHz sample rate



T2 Precision Rotary Torque Transducer

## OPTIONS

Speed & Angle Measurement - 360 Pulse TTL, 2-Tracks 90° Offset, Available on capacities up to 1,000 Nm only  
 Speed Output - 60 Pulse TTL, 1-Track, Available on capacities 2,000 Nm & above  
 $\pm 10$  V Torque Output  
 RS485  
 High RPM  
 Keyed Shafts  
 SAE Sized Shafts

## SPECIFICATIONS

### ACCURACY – (MAX ERROR)

Combined Error-% FS ..... $\pm 0.1$   
 Nonrepeatability-% ..... $\pm 0.02$

### TEMPERATURE

Effect on Zero-% RO/ $^{\circ}$ C ..... $\pm 0.02$   
 Effect on Output-%/ $^{\circ}$ C ..... $\pm 0.01$   
 Rated Range- $^{\circ}$ C .....+5 to +45  
 Operating Range- $^{\circ}$ C .....0 to +60

### ELECTRICAL

Output-VDC ..... $\pm 5$   
 Bandwidth, Hz .....3 kHz-3dB  
 Calibration Signal-% RO .....100  
 Supply Voltage-VDC .....12 to 28  
 Supply Current-mA .....60  
 Electrical Connection .....8 or 12-pin

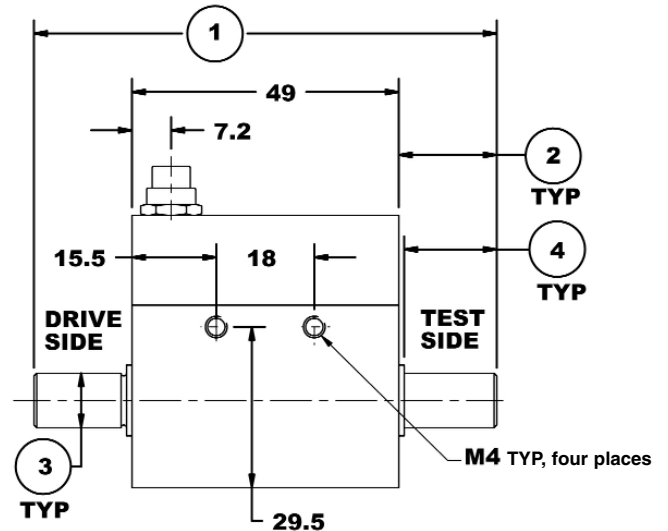
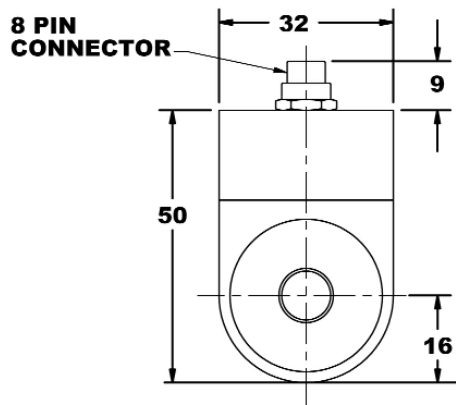
### MECHANICAL

Safe Overload-% RO .....200  
 Cyclic Load Rating-% RO ..... $\pm 70$  peak  
 Max Speed - rpm .....Varies with capacity, see table  
 Shaft.....Stainless steel  
 Housing .....Aluminum

T2 Precision Rotary Torque Transducer - Capacities 0.1 to 15 Nm

**DIMENSIONS**

Nominal Torque				
Capacity (Nm)	0.1, 0.2, 0.5, 1, 2, 5		10, 15	
Equivalent (lb-in)	0.88, 1.77, 4.43, 8.85, 17.7, 44.3		88.5, 133	
	inch	mm	inch	mm
①	3.35	85	3.35	85
②	0.71	18	0.71	18
③	0.3148/ 0.3144	8g6	0.3935/ 0.3931	10g6
④	0.67	17	0.67	17

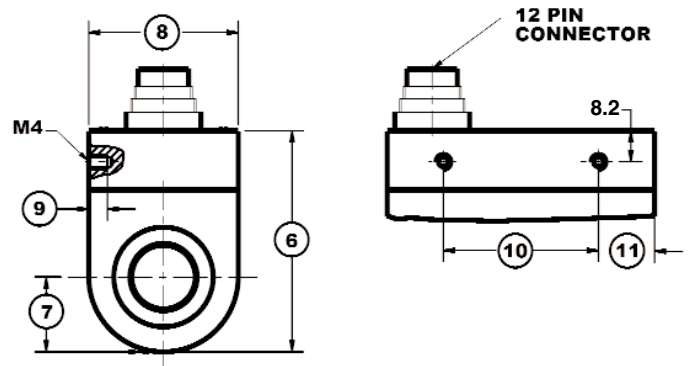
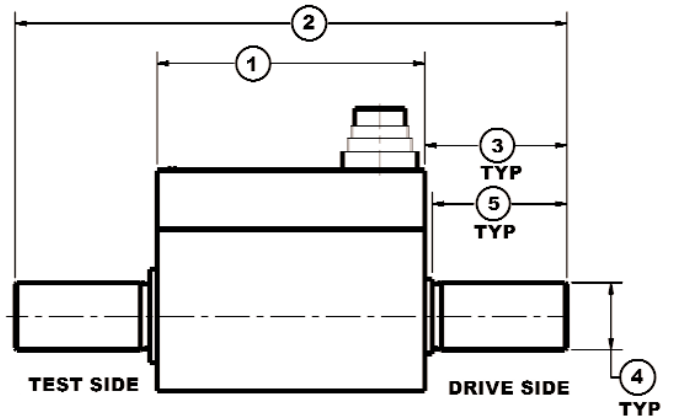


Dimensions in mm

T2 Precision Rotary Torque Transducer - Capacities 20 to 500 Nm

**DIMENSIONS**

Nominal Torque						
Capacity (Nm)	20, 30		50, 100		200, 500	
Equivalent (lb-in)	177, 265		443, 885		1.77K, 4.43K	
	inch	mm	inch	mm	inch	mm
①	2.81	71.5	2.81	71.5	2.85	72.5
②	4.39	111.5	5.81	147.5	6.28	159.5
③	0.79	20	1.50	38	1.71	43.5
④	0.7084/ 0.7080	18 h6	0.7084/ 0.7080	18 h6	1.2595/ 1.2589	32 h6
⑤	0.71	18	1.42	36	1.50	38
⑥	2.32	59	2.32	59	2.99	76
⑦	0.79	20	0.79	20	0.79	20
⑧	1.57	40	1.57	40	2.28	58
⑨	0.20	5	0.20	5	0.24	6
⑩	1.63	41.5	1.63	41.5	1.16	29.5
⑪	0.59	15	0.59	15	0.87	22



**T2 Precision Rotary Torque Transducer -**  
Capacities 1,000 to 20,000 Nm

**DIMENSIONS**

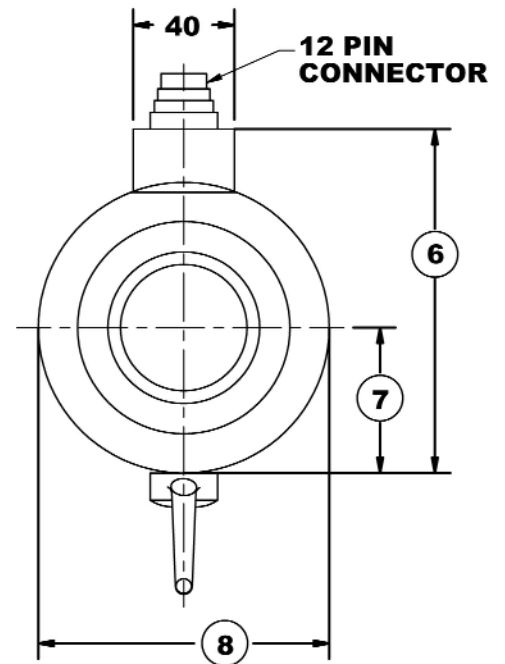
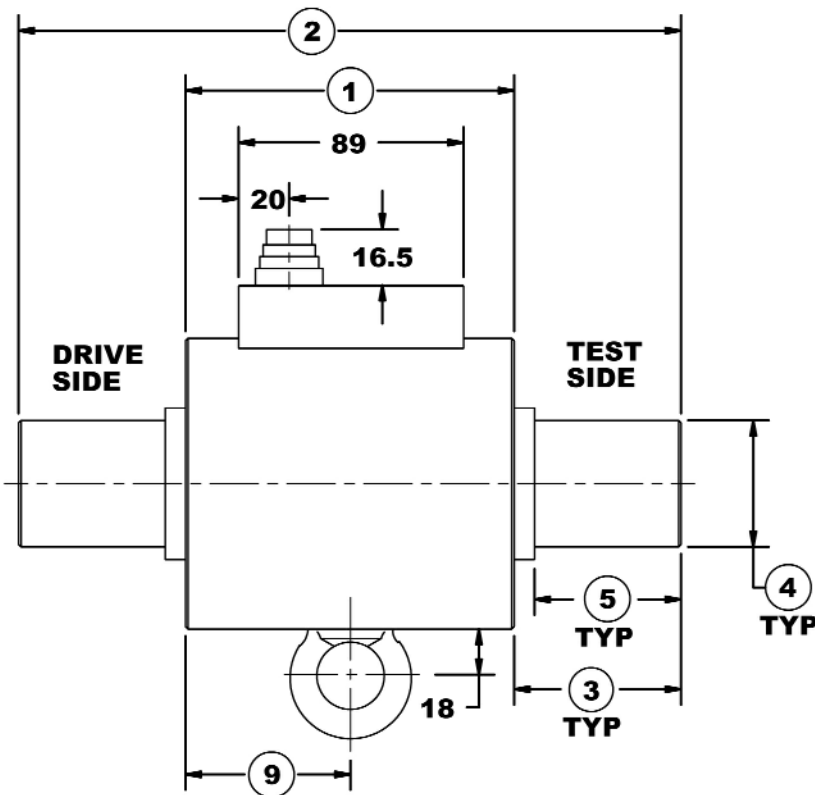
Nominal Torque						
Capacity (Nm)	1K		2K, 5K		10K, 20K	
Equivalent (lb-in)	8.85K		17K, 44.3K		85.5K, 177K	
	inch	mm	inch	mm	inch	mm
①	5.12	130	5.31	135	6.70	170
②	10.31	262	14.84	377	18.50	470
③	2.60	66	4.76	121	5.51	140
④	1.9685/ 1.9675	50 h7	2.7559/ 2.7547	70 h7	4.3307/ 4.3293	110 h7
⑤	2.28	58	4.33	110	4.72	120
⑥	5.35	136	6.34	161	9.17	233
⑦	2.26	57.5	2.74	69.5	4.09	104
⑧	4.53	115	5.47	139	8.19	208
⑨	2.58	65.5	2.66	67.5	3.74	95



T2 Precision Rotary Torque Transducer

TORQUE

Dimensions in mm





T2 PRECISION ROTARY TORQUE TRANSDUCER PERFORMANCE PARAMETERS

CAPACITY (Nm)	MAX RPM		SPRINGRATE (Nm/rad)	MOMENT OF INERTIA, J (Kgxm <sup>2</sup> )		MAX THRUST LOAD (N)
	Standard	Special		Drive Side	Test Side	
0.1	10,000	15,000	1.0	1.9x10 <sup>-6</sup>	2.8x10 <sup>-7</sup>	15
0.2	10,000	15,000	1.0	1.9x10 <sup>-6</sup>	2.8x10 <sup>-7</sup>	20
0.5	10,000	15,000	9.9	1.9x10 <sup>-6</sup>	2.8x10 <sup>-7</sup>	30
1	10,000	15,000	9.9	1.9x10 <sup>-6</sup>	2.8x10 <sup>-7</sup>	40
2	10,000	15,000	3.6x10 <sup>2</sup>	1.9x10 <sup>-6</sup>	2.9x10 <sup>-7</sup>	50
5	10,000	15,000	6.5x10 <sup>2</sup>	1.9x10 <sup>-6</sup>	3.0x10 <sup>-7</sup>	50
10	10,000	15,000	8.5x10 <sup>2</sup>	2.1x10 <sup>-6</sup>	3.9x10 <sup>-7</sup>	50
15	10,000	15,000	8.5x10 <sup>2</sup>	2.1x10 <sup>-6</sup>	3.9x10 <sup>-7</sup>	100
20	8,000	15,000	4.5x10 <sup>3</sup>	1.2x10 <sup>-5</sup>	9.9x10 <sup>-6</sup>	300
30	8,000	15,000	4.5x10 <sup>3</sup>	1.2x10 <sup>-5</sup>	9.9x10 <sup>-6</sup>	1,000
50	6,000	15,000	8.5x10 <sup>3</sup>	1.3x10 <sup>-5</sup>	1.2x10 <sup>-5</sup>	1,600
100	6,000	12,000	8.5x10 <sup>3</sup>	1.3x10 <sup>-5</sup>	1.2x10 <sup>-5</sup>	2,600
200	6,000	12,000	6.7x10 <sup>4</sup>	1.0x10 <sup>-4</sup>	9.0x10 <sup>-5</sup>	3,200
500	5,000	10,000	7.8x10 <sup>4</sup>	1.0x10 <sup>-4</sup>	9.2x10 <sup>-5</sup>	7,500
1,000	4,000	7,000	3.1x10 <sup>5</sup>	1.6x10 <sup>-3</sup>	1.1x10 <sup>-3</sup>	10,000
2,000	3,500	5,500	7.2x10 <sup>5</sup>	5.3x10 <sup>-3</sup>	4.3x10 <sup>-3</sup>	18,000
5,000	3,500	5,500	8.0x10 <sup>5</sup>	5.4x10 <sup>-3</sup>	4.3x10 <sup>-3</sup>	32,000
10,000	3,000	5,000	1.2x10 <sup>6</sup>	4.1x10 <sup>-2</sup>	3.9x10 <sup>-2</sup>	125,000
20,000	3,000	5,000	2.1x10 <sup>6</sup>	4.1x10 <sup>-2</sup>	4.3x10 <sup>-2</sup>	200,000

TORQUE

ELECTRICAL CONNECTION

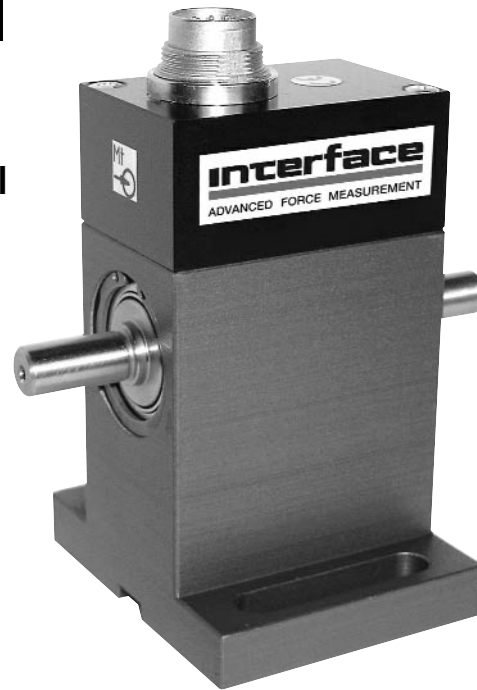
8-PIN T2 ELECTRICAL CONNECTION		
Pin	Function	Description
1	Supply (+)	12-28 VDC
2	Supply (GND)	0 VDC
3	Signal (+)	±5 VDC
4	Signal (GND)	0 VDC
5	Cal. Control	L < 2.0 / H > 3.5 V
6	Option Angle A	TTL
7	Option Angle B	TTL
8	NC	-

12-PIN T2 ELECTRICAL CONNECTION			12-PIN T2 RS485 OPTION	
Pin	Function	Description	Function	Description
A	NC	-	NC	-
B	Option Angle B	TTL	Option Angle B	TTL
C	Signal (+)	±5 VDC	NC	-
D	Signal (GND)	0 VDC	NC	-
E	Supply (GND)	0 VDC	Supply (GND)	0 VDC
F	Supply (+)	12-28 V	Supply (+)	12-28 VDC
G	Option Angle A	TTL	Option Angle A	TTL
H	NC	-	NC	-
J	NC	-	RS485 Option	RS485 (B)
K	Cal. Control	L < 2.0 V / H > 3.5 V	NC	-
L	NC	-	RS485 Option	RS485 (A)
M	Housing		Housing	

# Model T3 Precision-Pedestal Rotary Torque Transducer

Why the Interface model T3 Precision-Pedestal Rotary Torque Transducer is the best in class:

- Capacities from 0.1 to 20K Nm (0.88 to 177K lb-in)
- Integral mounting base
- $\pm 5$  VDC output
- Digital electronics
- Stainless steel shaft
- 12 to 28 VDC supply
- Contactless
- 10 kHz sample rate



T3 Precision-Pedestal Rotary Torque Transducer

## OPTIONS

Speed & Angle Measurement - 360 Pulse TTL, 2-Tracks 90° Offset, Available on capacities up to 1,000 Nm only  
 Speed Output - 60 Pulse TTL, 1-Track, Available on capacities 2,000 Nm & above  
 $\pm 10$  V Torque Output  
 RS485  
 High RPM  
 Keyed Shafts  
 SAE Sized Shafts

## SPECIFICATIONS

### ACCURACY – (MAX ERROR)

Combined Error-% FS ..... $\pm 0.1$   
 Nonrepeatability-% ..... $\pm 0.02$

### TEMPERATURE

Effect on Zero-% RO/ $^{\circ}$ C ..... $\pm 0.02$   
 Effect on Output-%/ $^{\circ}$ C ..... $\pm 0.01$   
 Rated Range- $^{\circ}$ C .....+5 to +45  
 Operating Range- $^{\circ}$ C .....0 to +60

### ELECTRICAL

Output-VDC ..... $\pm 5$   
 Bandwidth, Hz .....3 kHz-3dB  
 Calibration Signal-% RO .....100  
 Supply Voltage-VDC .....12 to 28  
 Supply Current-mA .....60  
 Electrical Connection .....12-pin

### MECHANICAL

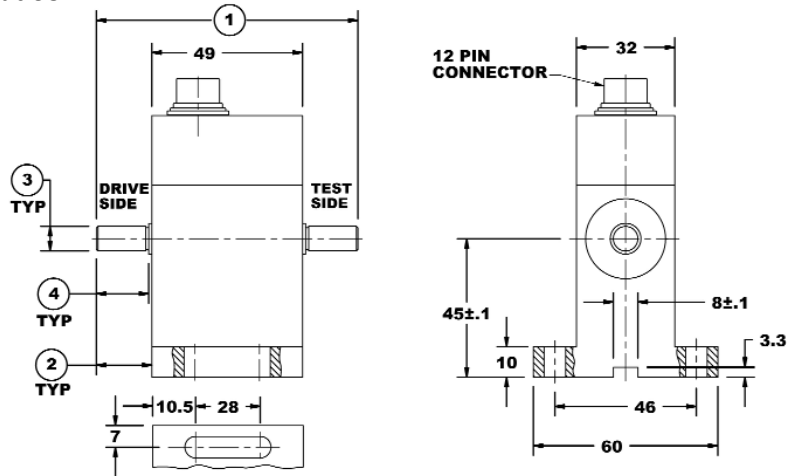
Safe Overload-% RO .....200  
 Cyclic Load Rating-% RO ..... $\pm 70$  peak  
 Max Speed - rpm .....Varies with capacity, see table  
 Shaft.....Stainless steel  
 Housing .....Aluminum

**Model T3 Precision-Pedestal Rotary Torque Transducer -**

Capacities 0.1 to 1 Nm

**DIMENSIONS**

Nominal Torque				
Capacity (Nm)	0.1, 0.2		0.5, 1	
Equivalent (lb-in)	0.88, 1.77		4.43, 8.85	
	inch	mm	inch	mm
①	3.35	85	3.35	85
②	0.71	18	0.71	18
③	0.3148/ 0.3144	8g6	0.3148/ 0.3144	8g6
④	0.67	17	0.67	17

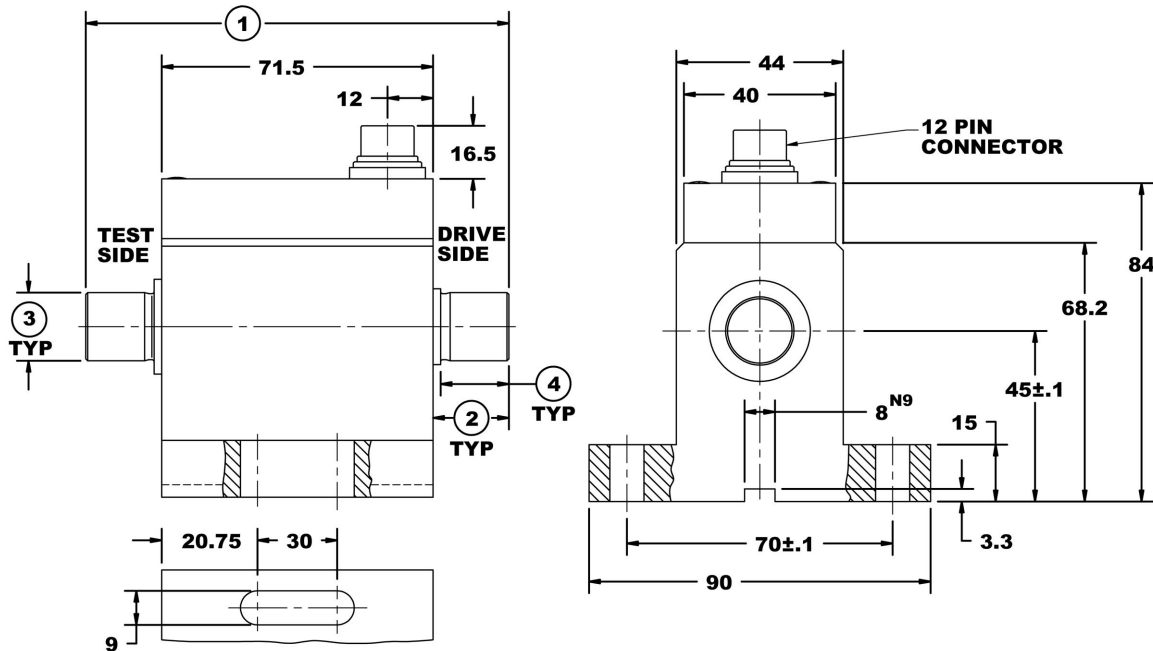


Dimensions in mm

**Model T3 Precision-Pedestal Rotary Torque Transducer - Capacities 2 to 100 Nm**

**DIMENSIONS**

Nominal Torque								
Capacity (Nm)	2, 5		10, 15		20, 30		50, 100	
Equivalent (lb-in)	17.7, 44.3		88.5, 133		177, 265		443, 885	
	inch	mm	inch	mm	inch	mm	inch	mm
①	4.23	107.5	4.23	107.5	4.39	111.5	5.81	147.5
②	0.71	18	0.71	18	0.79	20	1.50	38
③	0.3148/ 0.3144	8g6	0.3935/ 0.3931	10g6	0.7087/ 0.7082	18 h6	0.7087/ 0.7082	18 h6
④	0.67	17	0.67	17	0.71	18	1.42	36



Dimensions in mm

# Model T3 Precision-Pedestal Rotary Torque Transducer

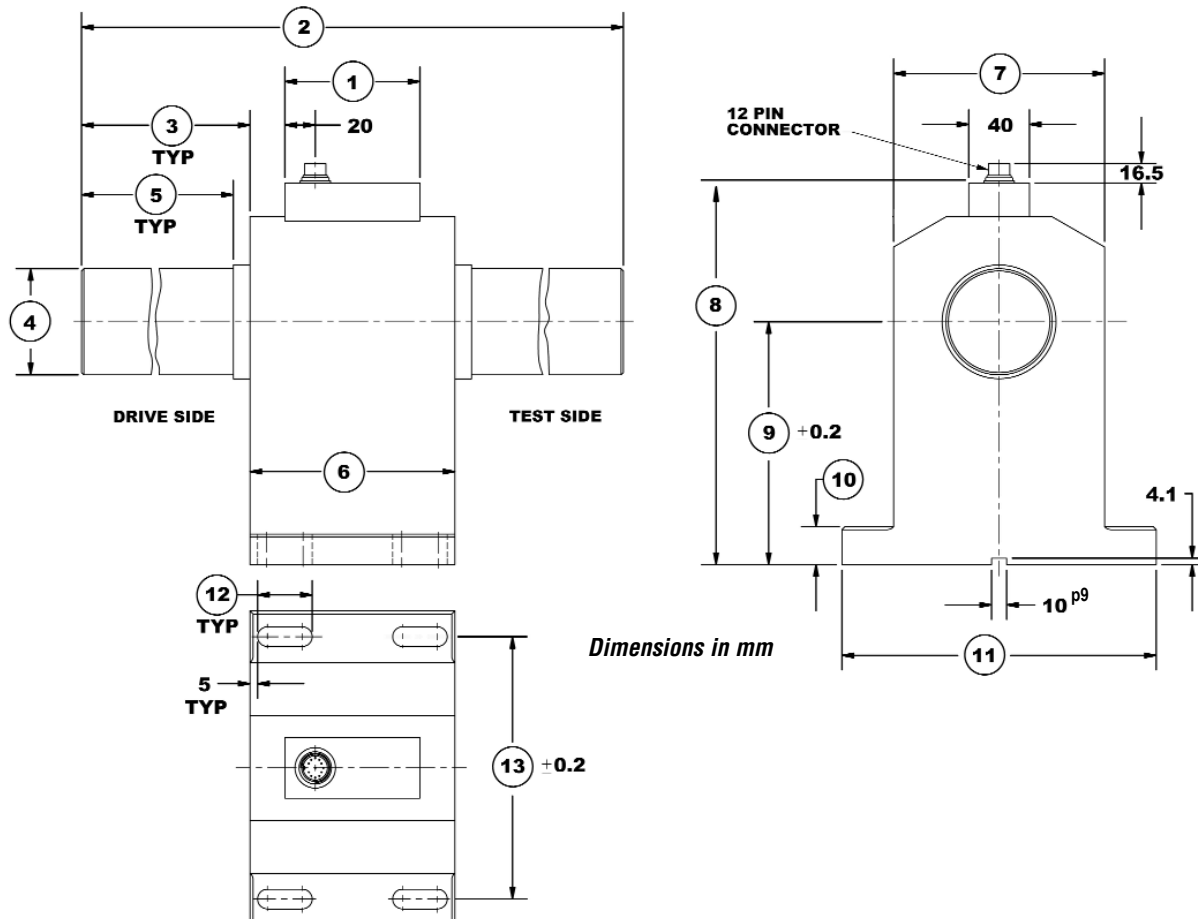
Model T3 Precision-Pedestal Rotary Torque Transducer - Capacities 200 to 20,000 Nm

## DIMENSIONS

Capacity (Nm) Equivalent (lb-in)	Nominal Torque							
	200, 500		1K		2K, 5K		10K, 20K	
	1.77K, 4.43K		8.85K		17K, 44.3K		85.5K, 177K	
	inch	mm	inch	mm	inch	mm	inch	mm
①	3.50	89	3.50	89	3.50	89	3.50	89
②	8.54	217	10.31	262	14.84	377	18.50	470
③	1.71	43.5	2.60	66	4.76	121	5.51	140
④	1.2595/ 1.2598	32 h6	1.9685/ 1.9675	50 h7	2.7559/ 2.7547	70 h7	4.3307/ 4.3293	110 h7
⑤	1.50	38	2.28	58	4.33	110	4.72	120
⑥	5.12	130	5.12	130	5.31	135	7.48	190
⑦	4.53	115	4.63	115	5.47	139	8.27	210
⑧	7.50	190.4	7.50	190.4	9.90	251.5	12.52	318
⑨	4.41	112	4.41	112	6.30	160	8.46	215
⑩	0.79	20	0.79	20	0.98	25	1.57	40
⑪	6.89	175	6.89	175	8.15	207	11.81	300
⑫	1.18	30	1.18	30	1.42	36	1.77	45
⑬	5.71	145	5.71	145	6.81	173	10.24	260



T3 Precision-Pedestal  
Rotary Torque Transducer



**T3 PRECISION-PEDESTAL ROTARY TORQUE TRANSDUCER PERFORMANCE PARAMETERS**

CAPACITY (Nm)	MAX RPM		SPRINGRATE (Nm/rad)	MOMENT OF INERTIA, J (Kgxm <sup>2</sup> )		MAX THRUST LOAD (N)
	Standard	Special		Drive Side	Test Side	
0.03	10,000	15,000	5.8x10 <sup>-1</sup>	1.6x10 <sup>-6</sup>	1.7x10 <sup>-7</sup>	10
0.05	10,000	15,000	5.8x10 <sup>-1</sup>	1.6x10 <sup>-6</sup>	1.7x10 <sup>-7</sup>	10
0.1	10,000	15,000	1.0	2.0x10 <sup>-6</sup>	2.8x10 <sup>-7</sup>	15
0.2	10,000	15,000	1.0	2.0x10 <sup>-6</sup>	2.8x10 <sup>-7</sup>	15
0.5	10,000	15,000	9.9	2.0x10 <sup>-6</sup>	2.8x10 <sup>-7</sup>	30
1	10,000	15,000	9.9	2.0x10 <sup>-6</sup>	2.8x10 <sup>-7</sup>	40
2	8,000	12,000	4.4x10 <sup>2</sup>	1.0x10 <sup>-5</sup>	8.1x10 <sup>-6</sup>	50
5	8,000	12,000	4.4x10 <sup>2</sup>	1.0x10 <sup>-5</sup>	8.1x10 <sup>-6</sup>	50
10	8,000	12,000	1.4x10 <sup>3</sup>	1.0x10 <sup>-5</sup>	8.2x10 <sup>-6</sup>	50
15	8,000	12,000	1.4x10 <sup>3</sup>	1.0x10 <sup>-5</sup>	8.2x10 <sup>-6</sup>	100
20	8,000	12,000	4.5x10 <sup>3</sup>	1.2x10 <sup>-5</sup>	9.9x10 <sup>-6</sup>	300
30	8,000	12,000	4.8x10 <sup>3</sup>	1.3x10 <sup>-5</sup>	9.9x10 <sup>-6</sup>	1,000
50	6,000	12,000	6.1x10 <sup>3</sup>	1.3x10 <sup>-5</sup>	1.1x10 <sup>-5</sup>	1,600
100	6,000	12,000	9.7x10 <sup>3</sup>	1.4x10 <sup>-5</sup>	1.2x10 <sup>-5</sup>	2,600
200	4,000	7,000	9.2x10 <sup>4</sup>	1.3x10 <sup>-3</sup>	8.0x10 <sup>-4</sup>	3,200
500	4,000	7,000	9.2x10 <sup>4</sup>	1.3x10 <sup>-3</sup>	8.0x10 <sup>-4</sup>	7,500
1,000	4,000	7,000	2.8x10 <sup>5</sup>	1.7x10 <sup>-3</sup>	1.2x10 <sup>-3</sup>	10,000
2,000	3,500	5,500	7.2x10 <sup>5</sup>	5.3x10 <sup>-3</sup>	4.3x10 <sup>-3</sup>	18,000
5,000	3,500	5,500	8.0x10 <sup>5</sup>	5.4x10 <sup>-3</sup>	4.3x10 <sup>-3</sup>	32,000
10,000	3,000	3,500	3.1x10 <sup>6</sup>	4.1x10 <sup>-2</sup>	3.6x10 <sup>-2</sup>	125,000
20,000	3,000	3,500	3.7x10 <sup>6</sup>	4.1x10 <sup>-2</sup>	3.7x10 <sup>-2</sup>	200,000

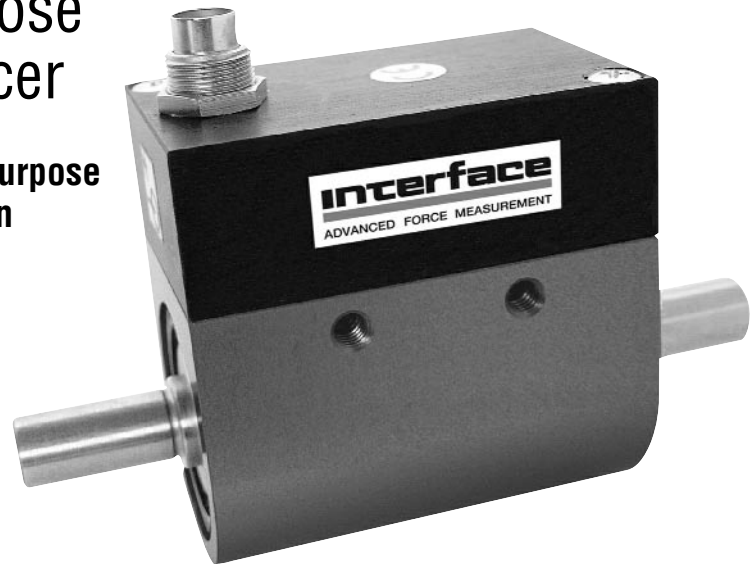
**ELECTRICAL CONNECTION**

Pin	12-PIN T3		12-PIN T3 RS485 OPTION	
	Function	Description	Function	Description
A	NC	-	NC	-
B	Option Angle B	TTL	Option Angle B	TTL
C	Signal (+)	±5 VDC	NC	-
D	Signal (GND)	0 VDC	NC	-
E	Supply (GND)	0 VDC	Supply (GND)	0 VDC
F	Supply (+)	12-28 VDC	Supply (+)	12-28 VDC
G	Option Angle A	TTL	Option Angle A	TTL
H	NC	-	NC	-
J	NC	-	RS485 Option	RS485 (B)
K	Cal. Control	L < 2.0 / H > 3.5 V	NC	-
L	NC	-	RS485 Option	RS485 (A)
M	Housing		Housing	

# Model T4 General Purpose Rotary Torque Transducer

Why the Interface model T4 General Purpose Rotary Torque Transducer is the best in class:

- $\pm 5$  VDC output
- Digital electronics
- Stainless steel shaft
- 12 to 28 VDC supply
- Contactless
- 10 kHz sample rate
- Capacities from 0.1 to 1K Nm (0.88 to 8.85K lb-in)



T4 General Purpose Rotary Torque Transducer

## OPTIONS

Speed & Angle Measurement - 360 Pulse TTL, 2-Tracks 90° Offset, Available on capacities up to 1,000 Nm only  
 Speed Output - 60 Pulse TTL, 1-Track, Available on capacities 2,000 Nm & above  
 $\pm 10$  V Torque Output  
 RS485  
 High RPM  
 Keyed Shafts  
 SAE Sized Shafts

## SPECIFICATIONS

### ACCURACY – (MAX ERROR)

Combined Error–% FS ..... $\pm 0.2$   
 Nonrepeatability–% ..... $\pm 0.04$

### TEMPERATURE

Effect on Zero–% RO/°C ..... $\pm 0.03$   
 Effect on Output–%/°C ..... $\pm 0.015$   
 Rated Range–°C .....+5 to +45  
 Operating Range–°C .....0 to +60

### ELECTRICAL

Output–VDC ..... $\pm 5$   
 Bandwidth, Hz .....3 kHz-3dB  
 Calibration Signal–% RO .....100  
 Supply Voltage–VDC .....12 to 28  
 Supply Current–mA .....60  
 Electrical Connection .....8 or 12-pin

### MECHANICAL

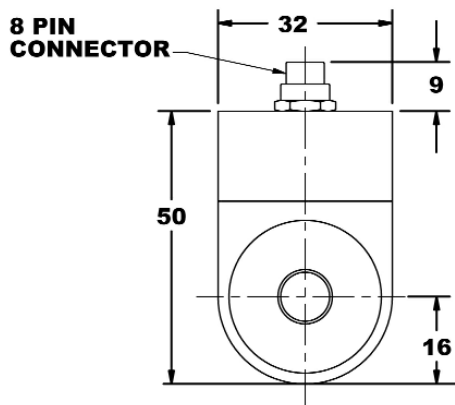
Safe Overload–% RO .....200  
 Cyclic Load Rating–% RO ..... $\pm 70$  peak  
 Max Speed - rpm .....Varies with capacity, see table  
 Shaft.....Stainless steel  
 Housing .....Aluminum

**T4 General Purpose Rotary Torque Transducer -**

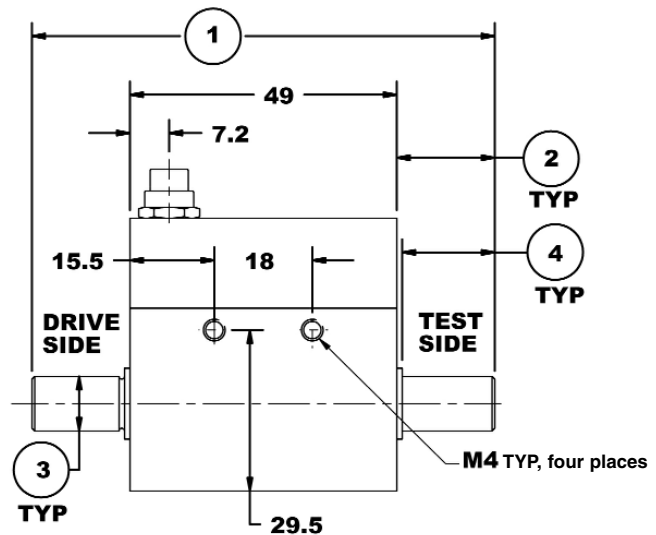
Capacities 0.1 to 15 Nm

**DIMENSIONS**

Nominal Torque				
Capacity (Nm)	0.1, 0.2, 0.5, 1, 2, 5		10, 15	
Equivalent (lb-in)	0.88, 1.77, 4.43, 8.85, 17.7, 44.3		88.5, 133	
	inch	mm	inch	mm
①	3.35	85	3.35	85
②	0.71	18	0.71	18
③	0.3148/ 0.3144	8g6	0.3935/ 0.3931	10g6
④	0.67	17	0.67	17



Dimensions in mm

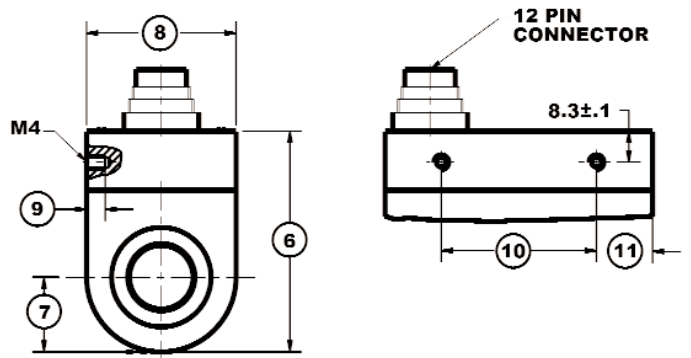
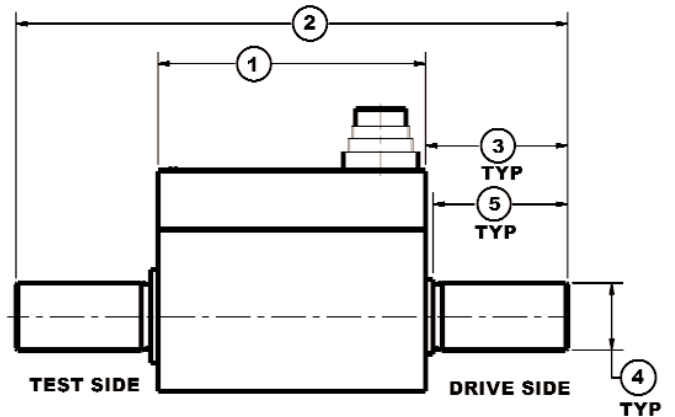


**T4 General Purpose Rotary Torque Transducer -**

Capacities 20 to 500 Nm

**DIMENSIONS**

Nominal Torque						
Capacity (Nm)	20, 30		50, 100		200, 500	
Equivalent (lb-in)	177, 265		443, 885		1.77K, 4.43K	
	inch	mm	inch	mm	inch	mm
①	2.81	71.5	2.81	71.5	2.85	72.5
②	4.39	111.5	5.81	147.5	6.28	159.5
③	0.79	20	1.50	38	1.71	43.5
④	0.7087/ 0.7082	18 h6	0.7087/ 0.7082	18 h6	1.2595/ 1.2589	32 h6
⑤	0.71	18	1.42	36	1.50	38
⑥	2.32	59	2.32	59	2.99	76
⑦	0.79	20	0.79	20	0.79	20
⑧	1.57	40	1.57	40	2.28	58
⑨	0.20	5	0.20	5	0.24	6
⑩	1.63	41.5	1.63	41.5	1.16	29.5
⑪	0.59	15	0.59	15	0.87	22



# Model T4 General Purpose Rotary Torque Transducer

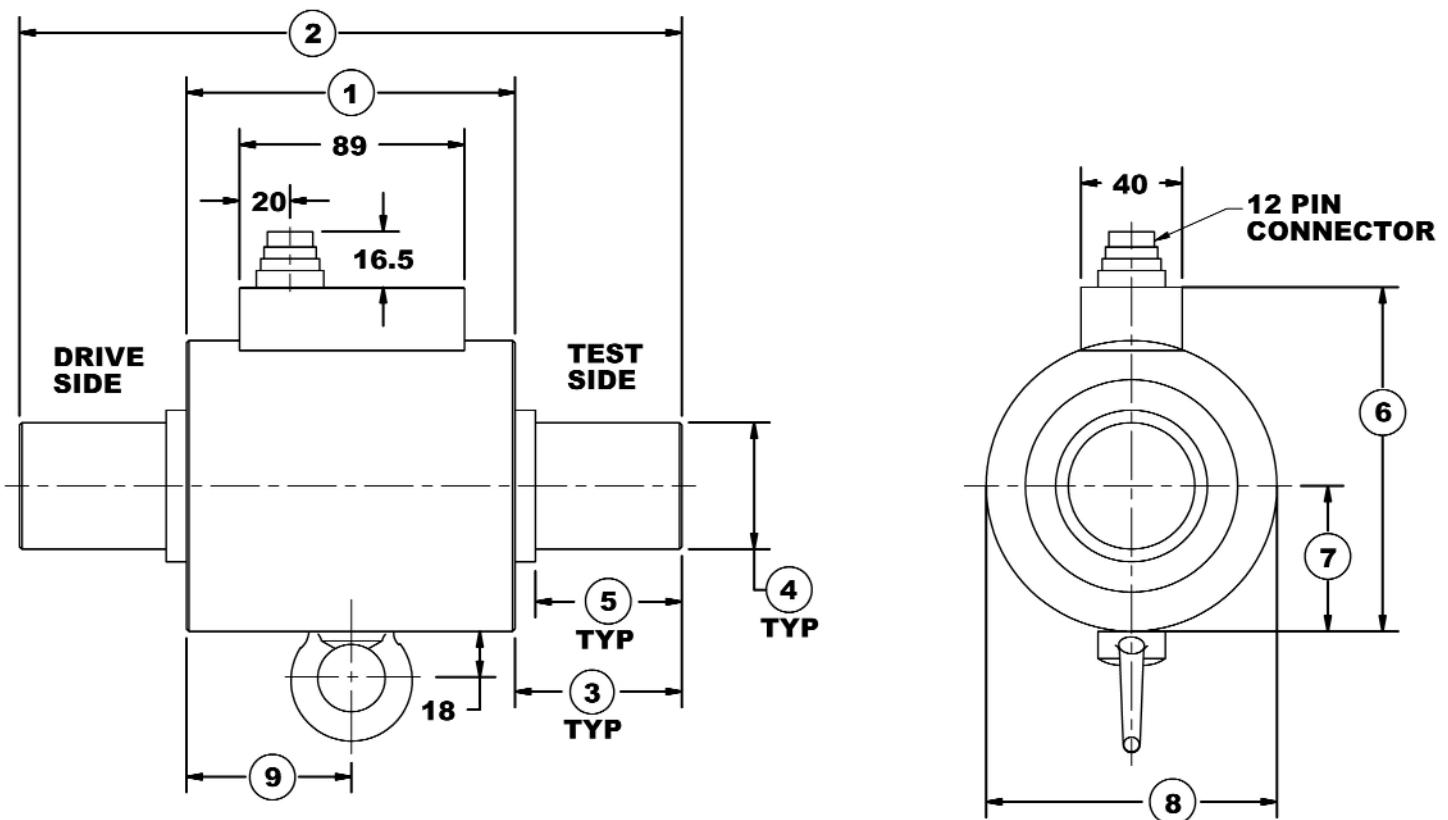
**T4 General Purpose Rotary Torque Transducer -**  
1,000 Nm Capacity

## DIMENSIONS

Nominal Torque		
Capacity (Nm)	1K	
Equivalent (lb-in)	8.85K	
	inch	mm
①	5.12	130
②	10.31	262
③	2.60	66
④	1.9685/ 1.9675	50 h7
⑤	2.28	58
⑥	5.35	136
⑦	2.26	57.5
⑧	4.53	115
⑨	2.58	65.5



*T4 General Purpose Rotary Torque Transducer*



*Dimensions in mm*



**T4 GENERAL PURPOSE ROTARY TORQUE TRANSDUCER PERFORMANCE PARAMETERS**

CAPACITY (Nm)	MAX RPM		SPRINGRATE (Nm/rad)	MOMENT OF INERTIA, J (Kgxm <sup>2</sup> )		MAX THRUST LOAD (N)
	Standard	Special		Drive Side	Test Side	
0.1	10,000	15,000	1.0	1.9x10 <sup>-6</sup>	2.8x10 <sup>-7</sup>	15
0.2	10,000	15,000	1.0	1.9x10 <sup>-6</sup>	2.8x10 <sup>-7</sup>	20
0.5	10,000	15,000	9.9	1.9x10 <sup>-6</sup>	2.8x10 <sup>-7</sup>	30
1	10,000	15,000	9.9	1.9x10 <sup>-6</sup>	2.8x10 <sup>-7</sup>	40
2	10,000	15,000	3.6x10 <sup>2</sup>	1.9x10 <sup>-6</sup>	2.9x10 <sup>-7</sup>	50
5	10,000	15,000	6.5x10 <sup>2</sup>	1.9x10 <sup>-6</sup>	3.0x10 <sup>-7</sup>	50
10	10,000	15,000	8.5x10 <sup>2</sup>	2.1x10 <sup>-6</sup>	3.9x10 <sup>-7</sup>	50
15	10,000	15,000	8.5x10 <sup>2</sup>	2.1x10 <sup>-6</sup>	3.9x10 <sup>-7</sup>	100
20	8,000	15,000	4.5x10 <sup>3</sup>	1.2x10 <sup>-5</sup>	9.9x10 <sup>-6</sup>	300
30	8,000	15,000	4.5x10 <sup>3</sup>	1.2x10 <sup>-5</sup>	9.9x10 <sup>-6</sup>	1,000
50	6,000	15,000	8.5x10 <sup>3</sup>	1.3x10 <sup>-5</sup>	1.2x10 <sup>-5</sup>	1,600
100	6,000	12,000	8.5x10 <sup>3</sup>	1.3x10 <sup>-5</sup>	1.2x10 <sup>-5</sup>	2,600
200	6,000	12,000	6.7x10 <sup>4</sup>	1.0x10 <sup>-4</sup>	9.0x10 <sup>-5</sup>	3,200
500	5,000	10,000	7.8x10 <sup>4</sup>	1.0x10 <sup>-4</sup>	9.2x10 <sup>-5</sup>	7,500
1,000	4,000	7,000	3.1x10 <sup>5</sup>	1.6x10 <sup>-3</sup>	1.1x10 <sup>-3</sup>	10,000

TORQUE

**ELECTRICAL CONNECTION**

8-PIN T4 ELECTRICAL CONNECTION		
Pin	Function	Description
1	Supply (+)	12-28 VDC
2	Supply (GND)	0 VDC
3	Signal (+)	±5 VDC
4	Signal (GND)	0 VDC
5	Cal. Control	L < 2.0 / H > 3.5 V
6	Option Angle A	TTL
7	Option Angle B	TTL
8	NC	-

12-PIN T4 ELECTRICAL CONNECTION			12-PIN T4 RS485 OPTION	
Pin	Function	Description	Function	Description
A	NC	-	NC	-
B	Option Angle B	TTL	Option Angle B	TTL
C	Signal (+)	±5 VDC	NC	-
D	Signal (GND)	0 VDC	NC	-
E	Supply (GND)	0 VDC	Supply (GND)	0 VDC
F	Supply (+)	12-28 VDC	Supply (+)	12-28 VDC
G	Option Angle A	TTL	Option Angle A	TTL
H	NC	-	NC	-
J	NC	-	RS485 Option	RS485 (B)
K	Cal. Control	L < 2.0 V / H > 3.5 V	NC	-
L	NC	-	RS485 Option	RS485 (A)
M	Housing		Housing	

# Model T5 General Purpose-Pedestal Rotary Torque Transducer

Why the Interface model T5 General Purpose-Pedestal Rotary Torque Transducer is the best in class:

- Integral mounting base
- $\pm 5$  VDC output
- Digital electronics
- Stainless steel shaft
- 12 to 28 VDC supply
- Contactless
- 10 kHz sample rate
- Capacities from 0.1 Nm to 1K Nm (0.85 to 8.85K lb-in)



*T5 General Purpose-Pedestal Rotary Torque Transducer*

## OPTIONS

Speed & Angle Measurement - 360 Pulse TTL, 2-Tracks 90° Offset, Available on capacities up to 1,000 Nm only  
 Speed Output - 60 Pulse TTL, 1-Track, Available on capacities 2,000 Nm & above  
 $\pm 10$  V torque output  
 RS485  
 High RPM  
 Keyed Shafts  
 SAE Sized Shafts

## SPECIFICATIONS

### ACCURACY – (MAX ERROR)

Combined Error-% FS ..... $\pm 0.2$   
 Nonrepeatability-% ..... $\pm 0.04$

### TEMPERATURE

Effect on Zero-% RO/ $^{\circ}$ C ..... $\pm 0.03$   
 Effect on Output-%/ $^{\circ}$ C ..... $\pm 0.015$   
 Rated Range- $^{\circ}$ C .....+5 to +45  
 Operating Range- $^{\circ}$ C .....0 to +60

### ELECTRICAL

Output-VDC ..... $\pm 5$   
 Bandwidth, Hz .....3 kHz-3dB  
 Calibration Signal-% RO .....100  
 Supply Voltage-VDC .....12 to 28  
 Supply Current-mA .....60  
 Electrical Connection .....12-pin

### MECHANICAL

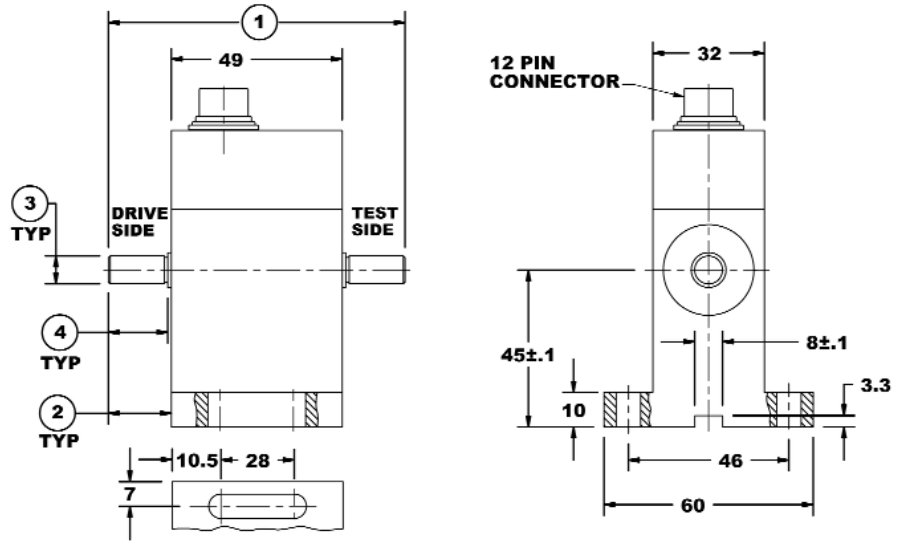
Safe Overload-% RO .....200  
 Cyclic Load Rating-% RO ..... $\pm 70$  peak  
 Max Speed - rpm .....Varies with capacity, see table

Shaft.....Stainless steel  
 Housing .....Aluminum

**Model T5 General Purpose-Pedestal Rotary Torque Transducer - Capacities 0.1 to 1 Nm**

**DIMENSIONS**

Nominal Torque				
Capacity (Nm)	0.1, 0.2		0.5, 1	
Equivalent (lb-in)	0.85, 1.77		4.43, 8.85	
	inch	mm	inch	mm
①	3.35	85	3.35	85
②	0.71	18	3.86	98
③	0.3148/ 0.3144	8g6	0.3148/ 0.3144	8g6
④	0.67	17	0.67	17

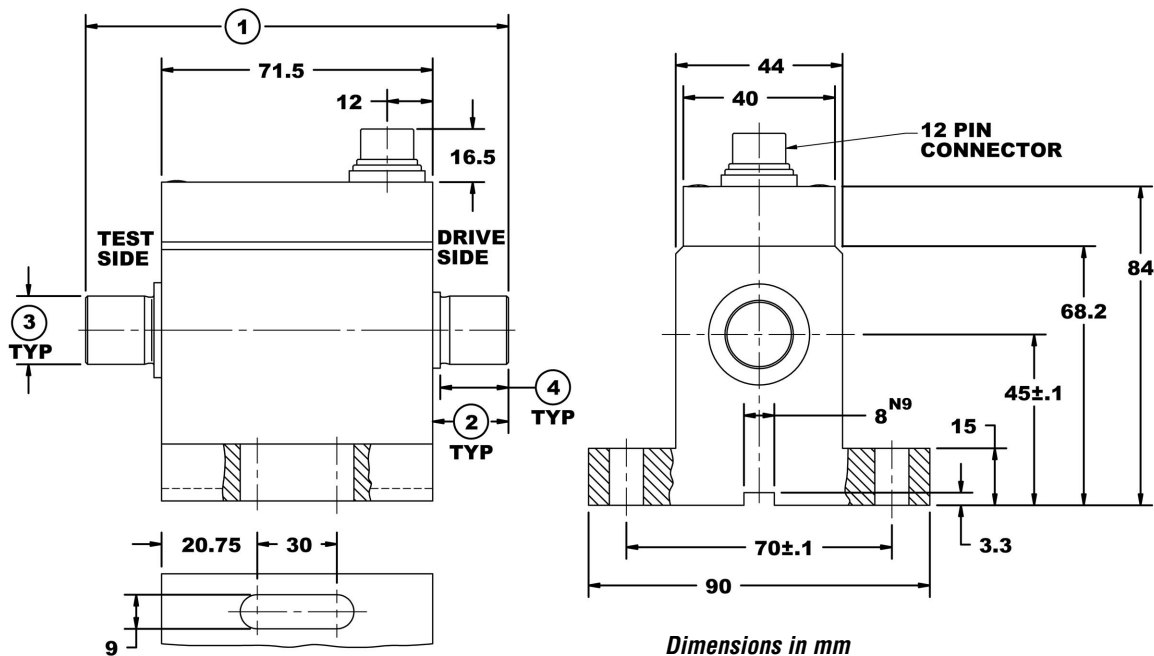


Dimensions in mm

**Model T5 General Purpose-Pedestal Rotary Torque Transducer - Capacities 2 to 100 Nm**

**DIMENSIONS**

Nominal Torque								
Capacity (Nm)	2, 5		10, 15		20, 30		50, 100	
Equivalent (lb-in)	17.7, 44.3		88.5, 133		177, 265		443, 885	
	inch	mm	inch	mm	inch	mm	inch	mm
①	4.23	107.5	4.23	107.5	4.39	111.5	5.81	147.5
②	0.71	18	0.71	18	0.79	20	1.50	38
③	0.3148/ 0.3144	8g6	0.3935/ 0.3931	10g6	0.7087/ 0.7082	18 h6	0.7087/ 0.7082	18 h6
④	0.67	17	0.67	17	0.71	18	1.42	36



Dimensions in mm

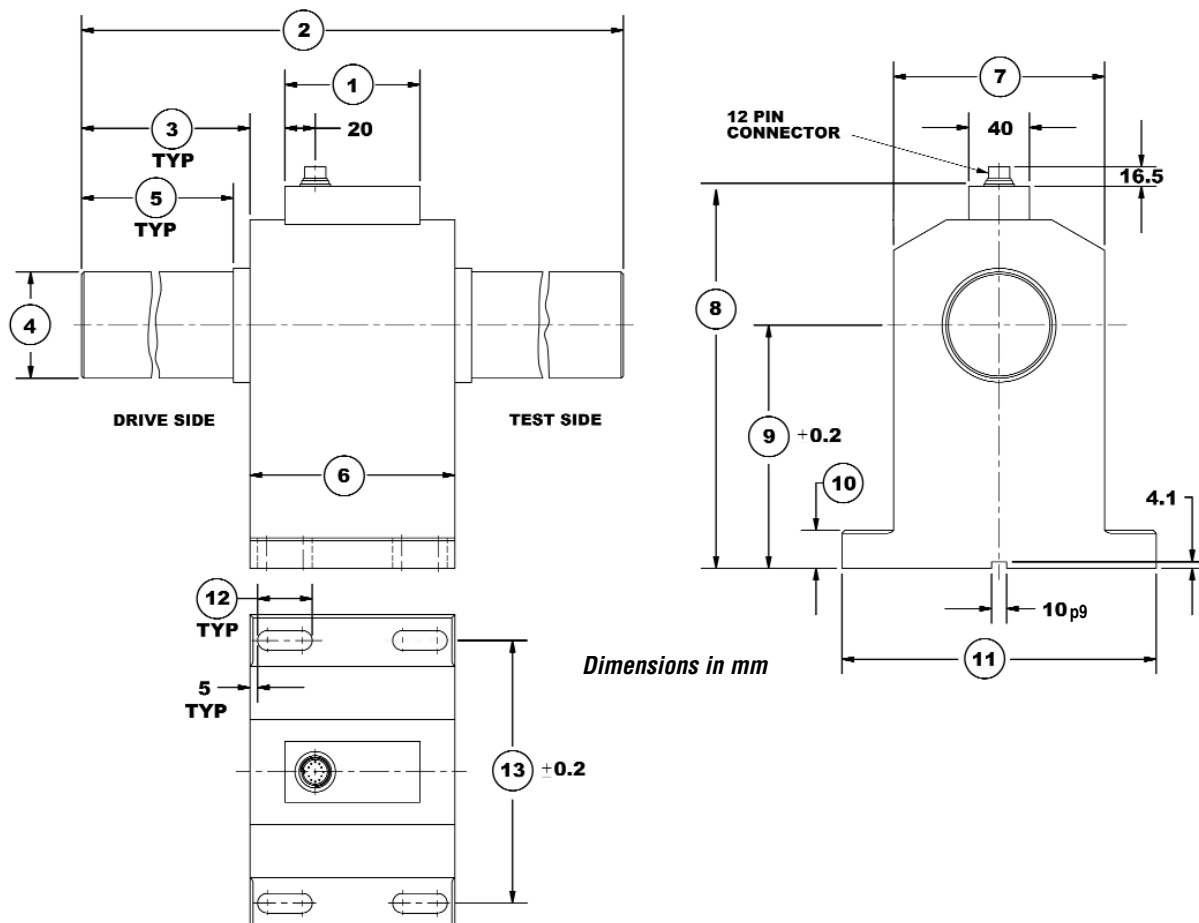
**Model T5 General Purpose-Pedestal Rotary Torque Transducer -**  
Capacities 200 to 1,000 Nm

**DIMENSIONS**

Nominal Torque				
Capacity (Nm)	200, 500		1K	
Equivalent (lb-in)	1.77K, 4.43K		8.85K	
	inch	mm	inch	mm
①	3.50	89	3.50	89
②	8.54	217	10.31	262
③	1.71	43.5	2.60	66
④	1.2595/ 1.2598	32 h6	1.9685/ 1.9675	50 h7
⑤	1.50	38	2.28	58
⑥	5.12	130	5.12	130
⑦	4.53	115	4.63	115
⑧	7.50	190.4	7.50	190.4
⑨	4.41	112	4.41	112
⑩	0.79	20	0.79	20
⑪	6.89	175	6.89	175
⑫	1.18	30	1.18	30
⑬	5.71	145	5.71	145



*T5 General Purpose-Pedestal  
Rotary Torque Transducer*



TORQUE

**T5 GENERAL PURPOSE-PEDESTAL ROTARY TORQUE TRANSDUCER PERFORMANCE PARAMETERS**

CAPACITY (Nm)	MAX RPM		SPRINGRATE (Nm/rad)	MOMENT OF INERTIA, J (Kgxm <sup>2</sup> )		MAX THRUST LOAD (N)
	Standard	Special		Drive Side	Test Side	
0.1	10,000	15,000	1.0	2.0x10 <sup>-6</sup>	2.8x10 <sup>-7</sup>	15
0.2	10,000	15,000	1.0	2.0x10 <sup>-6</sup>	2.8x10 <sup>-7</sup>	15
0.5	10,000	15,000	9.9	2.0x10 <sup>-6</sup>	2.8x10 <sup>-7</sup>	30
1	10,000	15,000	9.9	2.0x10 <sup>-6</sup>	2.8x10 <sup>-7</sup>	40
2	8,000	12,000	4.4x10 <sup>2</sup>	1.0x10 <sup>-5</sup>	8.1x10 <sup>-6</sup>	50
5	8,000	12,000	4.4x10 <sup>2</sup>	1.0x10 <sup>-5</sup>	8.1x10 <sup>-6</sup>	50
10	8,000	12,000	1.4x10 <sup>3</sup>	1.0x10 <sup>-5</sup>	8.2x10 <sup>-6</sup>	50
15	8,000	12,000	1.4x10 <sup>3</sup>	1.0x10 <sup>-5</sup>	8.2x10 <sup>-6</sup>	100
20	8,000	12,000	4.5x10 <sup>3</sup>	1.2x10 <sup>-5</sup>	9.9x10 <sup>-6</sup>	300
30	8,000	12,000	4.8x10 <sup>3</sup>	1.3x10 <sup>-5</sup>	9.9x10 <sup>-6</sup>	1,000
50	6,000	12,000	6.1x10 <sup>3</sup>	1.3x10 <sup>-5</sup>	1.1x10 <sup>-5</sup>	1,600
100	6,000	12,000	9.7x10 <sup>3</sup>	1.4x10 <sup>-5</sup>	1.2x10 <sup>-5</sup>	2,600
200	4,000	7,000	9.2x10 <sup>4</sup>	1.3x10 <sup>-3</sup>	8.0x10 <sup>-4</sup>	3,200
500	4,000	7,000	9.2x10 <sup>4</sup>	1.3x10 <sup>-3</sup>	8.0x10 <sup>-4</sup>	7,500
1,000	4,000	7,000	2.8x10 <sup>5</sup>	1.7x10 <sup>-3</sup>	1.2x10 <sup>-3</sup>	10,000

**ELECTRICAL CONNECTION**

Pin	12-PIN T5		12-PIN T5 RS485 OPTION	
	Function	Description	Function	Description
A	NC	-	NC	-
B	Option Angle B	TTL	Option Angle B	TTL
C	Signal (+)	±5 VDC	NC	-
D	Signal (GND)	0 VDC	NC	-
E	Supply (GND)	0 VDC	Supply (GND)	0 VDC
F	Supply (+)	12-28 VDC	Supply (+)	12-28 VDC
G	Option Angle A	TTL	Option Angle A	TTL
H	NC	-	NC	-
J	NC	-	RS485 Option	RS485 (B)
K	Cal. Control	L < 2.0 / H > 3.5 V	NC	-
L	NC	-	RS485 Option	RS485 (A)
M	Housing		Housing	

# Model T6 Dual Range Rotary Torque Transducer

Why the Interface model T6 Dual Range Rotary Torque Transducer is the best in class:

- Dual range capacities - 10:1 ratio  
(5/0.5 to 20K/2K Nm)  
(44.3/4.43 to 177K to 17.7K lb-in)
- $\pm 5$  VDC output
- Stainless steel shaft
- 5 kHz sample rate
- 12 to 28 VDC supply
- Digital electronics
- Contactless



T6 Dual Range Rotary Torque Transducer

## OPTIONS

Speed & Angle Measurement - 360 Pulse TTL,  
2-Tracks 90° Offset, Available on capacities up to  
1,000 Nm only  
Speed Output - 60 Pulse TTL, 1-Track, Available on  
capacities 2,000 Nm & above  
 $\pm 10$  V Torque Output  
RS485  
High Speed to 12,000 RPM  
Keyed Shafts  
SAE Sized Shafts

## SPECIFICATIONS

### ACCURACY – (MAX ERROR)

Combined Error—% FS ..... $\pm 0.1$   
Nonrepeatability—% ..... $\pm 0.02$

### TEMPERATURE

Effect on Zero—% RO/°C ..... $\pm 0.02$   
Effect on Output—%/°C ..... $\pm 0.01$   
Rated Range—°C .....+5 to +45  
Operating Range—°C .....0 to +60

### ELECTRICAL

Output—VDC ..... $\pm 5$   
Bandwidth, Hz .....3 kHz-3dB  
Calibration Signal—% RO .....100  
Speed Output - puls/rev. ....60  
Supply Voltage—VDC .....12 to 28  
Supply Current—mA .....60  
Electrical Connection .....12-pin

### MECHANICAL

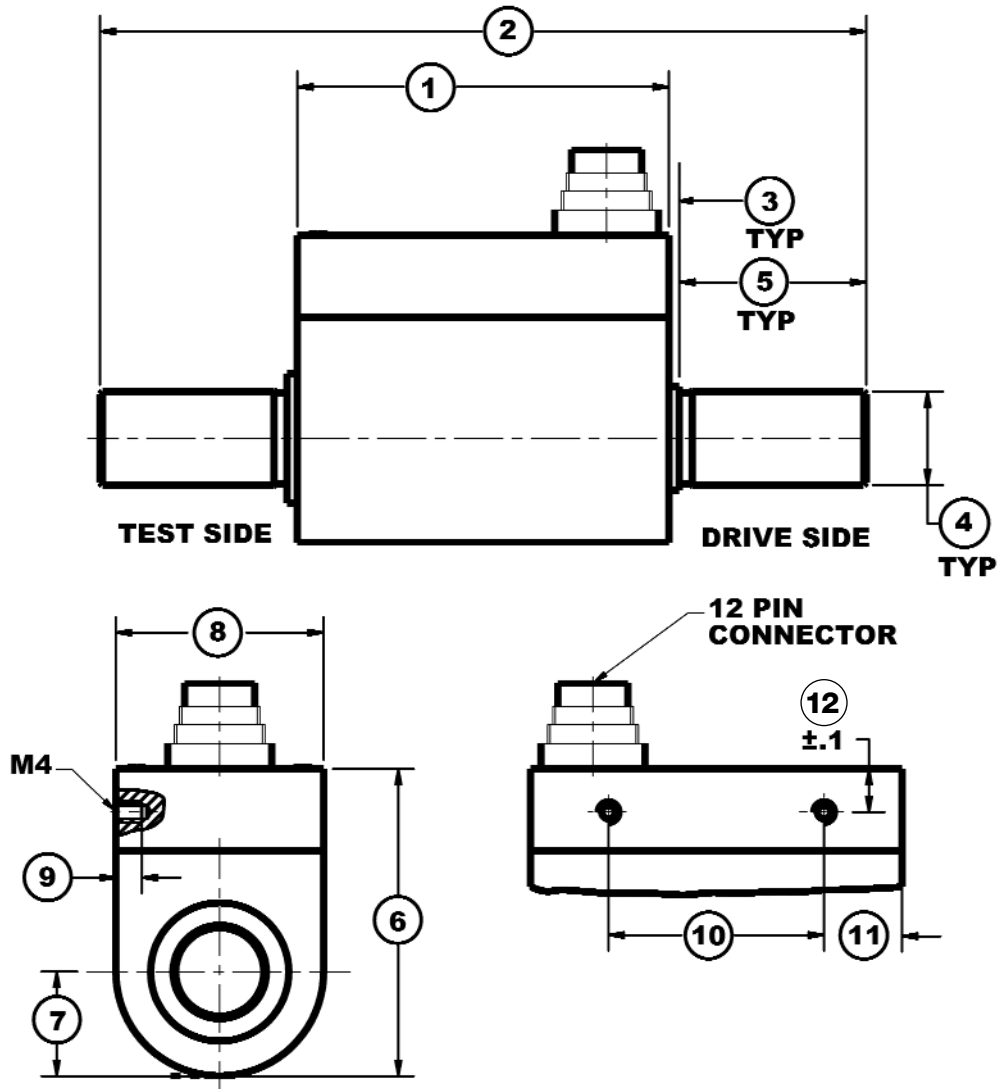
Safe Overload—% RO .....200  
Cyclic Load Rating—% RO ..... $\pm 70$  peak  
Max Speed - rpm .....Varies with  
capacity,  
see table  
Shaft.....Stainless steel  
Housing .....Aluminum

**Model T6 Dual Range Rotary Torque Transducer-**

Capacities 5/0.5 to 500/50 Nm

**DIMENSIONS**

Nominal Dual Range Torque (Range 1/Range 2)								
Capacity (Nm)	5/0.5		10/1, 20/2, 30/3		50/5, 100/10		200/20, 300/30, 500/50	
Equivalent (lb-in)	44.3/4.43		88.5/8.85, 177/17.7, 265/26.5		443/44.3, 885/88.5		177K/177, 27K/267, 4.43K/443	
	inch	mm	inch	mm	inch	mm	inch	mm
①	2.81	71.5	2.81	71.5	2.81	71.5	3.17	80.5
②	4.31	109.5	4.39	111.5	5.81	147.5	6.28	159.5
③	0.08	2	0.08	2	0.08	2	0.06	1.5
④	0.31	8g6	0.71	18 h6	0.71	18 h6	1.26	32 h6
⑤	0.67	17	0.71	18	1.42	36	1.50	38
⑥	2.70	68.5	2.70	68.5	2.70	68.5	3.41	86.5
⑦	0.79	20	0.79	20	0.79	20	1.20	30.5
⑧	1.57	40	1.57	40	1.57	40	2.40	61
⑨	0.20	5	0.20	5	0.20	5	0.20	5
⑩	1.63	41.5	1.63	41.5	1.63	41.5	1.16	29.5
⑪	0.59	15	0.59	15	0.59	15	1.02	26
⑫	0.69	17.5	0.69	17.5	0.69	17.5	0.69	17



TORQUE

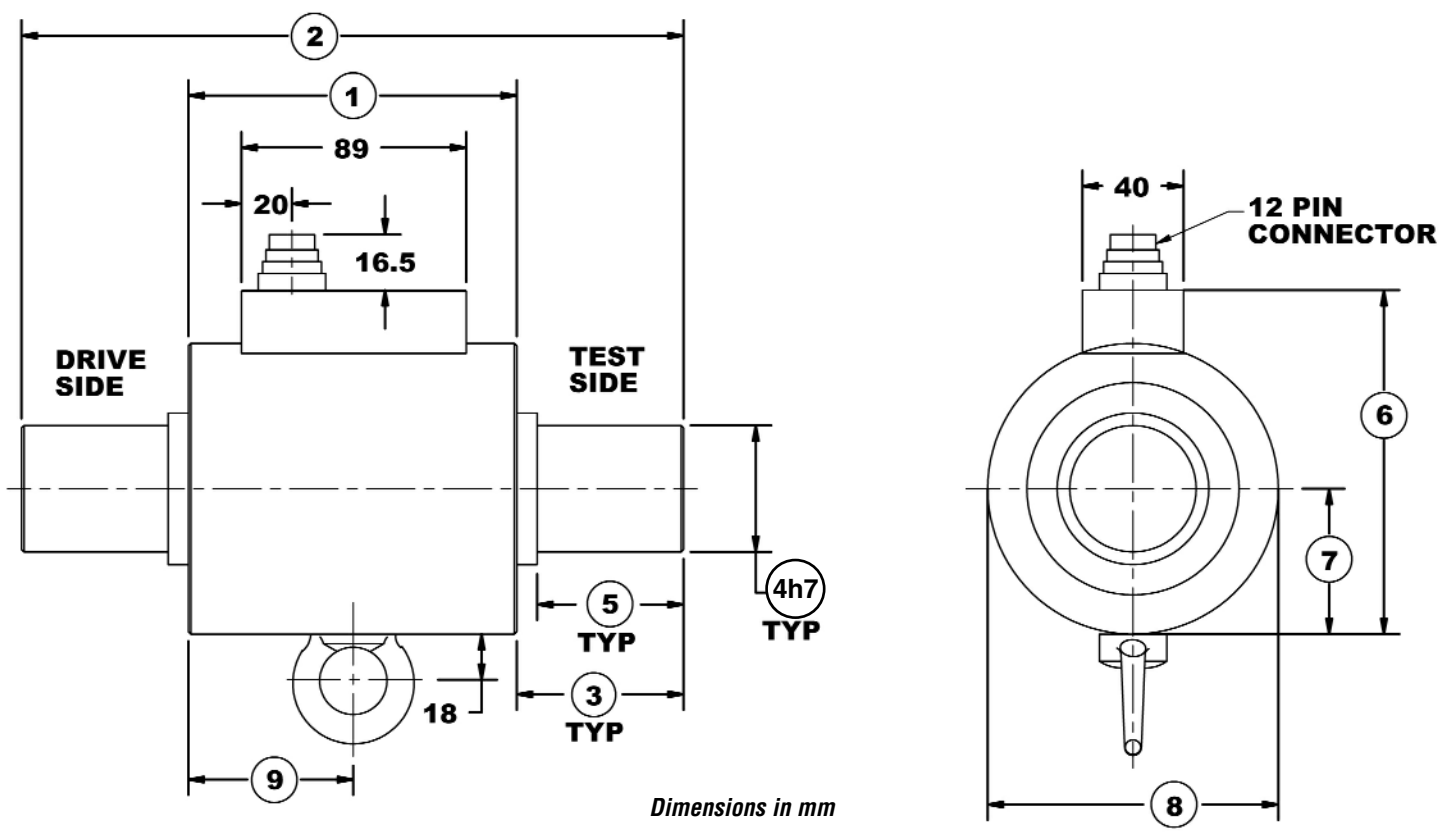
# Model T6 Dual Range Rotary Torque Transducer

**Model T6 Dual Range Rotary Torque Transducer-**  
Capacities 1K/100 to 20K/2K Nm

TORQUE

## DIMENSIONS

Nominal Dual Range Torque (Range 1/Range 2)						
Capacity (Nm)	1K/100		2K/200, 5K/500		10K/1K, 20K/2K	
Equivalent (lb-in)	8.85K/885		17.7K/1.77K, 44.3K/4.43K		88.5K/8.85K, 177K/17K	
	inch	mm	inch	mm	inch	mm
①	5.12	130	5.31	135	7.48	190
②	10.31	262	14.84	377	18.50	470
③	2.60	66	4.76	121	5.51	140
④	1.97	50	2.76	70	4.33	110
⑤	2.28	58	4.33	110	4.72	120
⑥	5.35	136	6.34	161	9.17	233
⑦	2.26	57.5	2.74	69.5	4.09	104
⑧	4.53	115	5.47	139	8.27	210
⑨	2.58	65.5	2.66	67.5	3.74	95
⑩	0.71	18	0.71	18	0.71	18
⑪	3.50	89	3.50	89	3.50	89



Dimensions in mm



**T6 DUAL RANGE ROTARY TORQUE TRANSDUCER PERFORMANCE PARAMETERS**

CAPACITY (Nm) (Range 1/ Range 2)	MAX RPM		SPRINGRATE (Nm/rad)	MOMENT OF INERTIA, J (Kgxm <sup>2</sup> )		MAX THRUST LOAD (N)
	Standard	Special		Drive Side	Test Side	
10/1	8,000	15,000	8.3x10 <sup>2</sup>	1.1x10 <sup>-5</sup>	9.8x10 <sup>-6</sup>	50
20/2	8,000	15,000	8.3x10 <sup>3</sup>	1.1x10 <sup>-5</sup>	9.8x10 <sup>-6</sup>	300
30/3	6,000	15,000	8.3x10 <sup>3</sup>	1.1x10 <sup>-5</sup>	9.8x10 <sup>-6</sup>	1,000
50/5	6,000	15,000	5.4x10 <sup>3</sup>	1.3x10 <sup>-5</sup>	1.1x10 <sup>-5</sup>	1,600
100/10	6,000	12,000	5.4x10 <sup>3</sup>	1.3x10 <sup>-5</sup>	1.1x10 <sup>-5</sup>	2,600
200/20	6,000	12,000	3.4x10 <sup>4</sup>	1.1x10 <sup>-4</sup>	8.4x10 <sup>-5</sup>	3,200
500/50	5,000	10,000	3.4x10 <sup>4</sup>	1.1x10 <sup>-4</sup>	8.4x10 <sup>-5</sup>	7,500
1,000/100	4,000	7,000	2.0x10 <sup>5</sup>	1.6x10 <sup>-3</sup>	1.1x10 <sup>-3</sup>	10,000
2,000/200	3,500	5,500	5.1x10 <sup>5</sup>	5.3x10 <sup>-3</sup>	4.2x10 <sup>-3</sup>	18,000
5,000/500	3,500	5,500	7.2x10 <sup>5</sup>	5.3x10 <sup>-3</sup>	4.3x10 <sup>-3</sup>	32,000
10,000/1,000	3,000	5,000	3.1x10 <sup>6</sup>	4.1x10 <sup>-2</sup>	3.6x10 <sup>-2</sup>	125,000
20,000/2,000	3,000	5,000	3.7x10 <sup>6</sup>	4.1x10 <sup>-2</sup>	3.7x10 <sup>-2</sup>	200,000

**ELECTRICAL CONNECTION**

12-PIN T6 DUAL RANGE		
Pin	Function	Description
A	NC	-
B	Option Angle B	TTL
C	Signal (+)	±5 VDC
D	Signal (GND)	0 VDC
E	Supply (GND)	0 VDC
F	Supply (+)	12-28 VDC
G	Option Angle A	TTL
H	Signal 2 (+)	±5 VDC
J	NC	-
K	Cal. Control	L < 2.0 / H > 3.5 V
L	NC	-
M	Shield	Transducer Housing



*T6 Dual Range  
Rotary Torque Transducer*

# Model T7 Dual Range-Pedestal Rotary Torque Transducer

Why the Interface model T7 Dual Range-Pedestal Rotary Torque Transducer is the best in class:

- Integral mounting base
- Dual range capacities - 10:1 ratio (5/0.5 to 20K/2K Nm) (44.3/4.43 to 177K to 17.7K lb-in)
- $\pm 5$  VDC output
- Stainless steel shaft
- 5 kHz sample rate
- 12 to 28 VDC supply
- Digital electronics
- Contactless



T7 Dual Range-Pedestal Rotary Torque Transducer

## OPTIONS

- Speed & Angle Measurement - 360 Pulse TTL, 2-Tracks 90° Offset, Available on capacities up to 1,000 Nm only
- Speed Output - 60 Pulse TTL, 1-Track, Available on capacities 2,000 Nm & above
- $\pm 10$  V Torque Output
- RS485
- High Speed to 12,000 RPM
- Keyed Shafts
- SAE Sized Shafts

## SPECIFICATIONS

**ACCURACY – (MAX ERROR)**

Combined Error-% FS ..... $\pm 0.1$   
 Nonrepeatability-% ..... $\pm 0.02$

**TEMPERATURE**

Effect on Zero-% RO/ $^{\circ}$ C ..... $\pm 0.02$   
 Effect on Output-%/ $^{\circ}$ C ..... $\pm 0.01$   
 Rated Range- $^{\circ}$ C .....+5 to +45  
 Operating Range- $^{\circ}$ C .....0 to +60

**ELECTRICAL**

Output-VDC ..... $\pm 5$   
 Bandwidth, Hz .....3 kHz-3dB  
 Calibration Signal-% RO .....100  
 Speed Output - puls/rev. ....60  
 Supply Voltage-VDC .....12 to 28  
 Supply Current-mA .....60  
 Electrical Connection .....12-pin

**MECHANICAL**

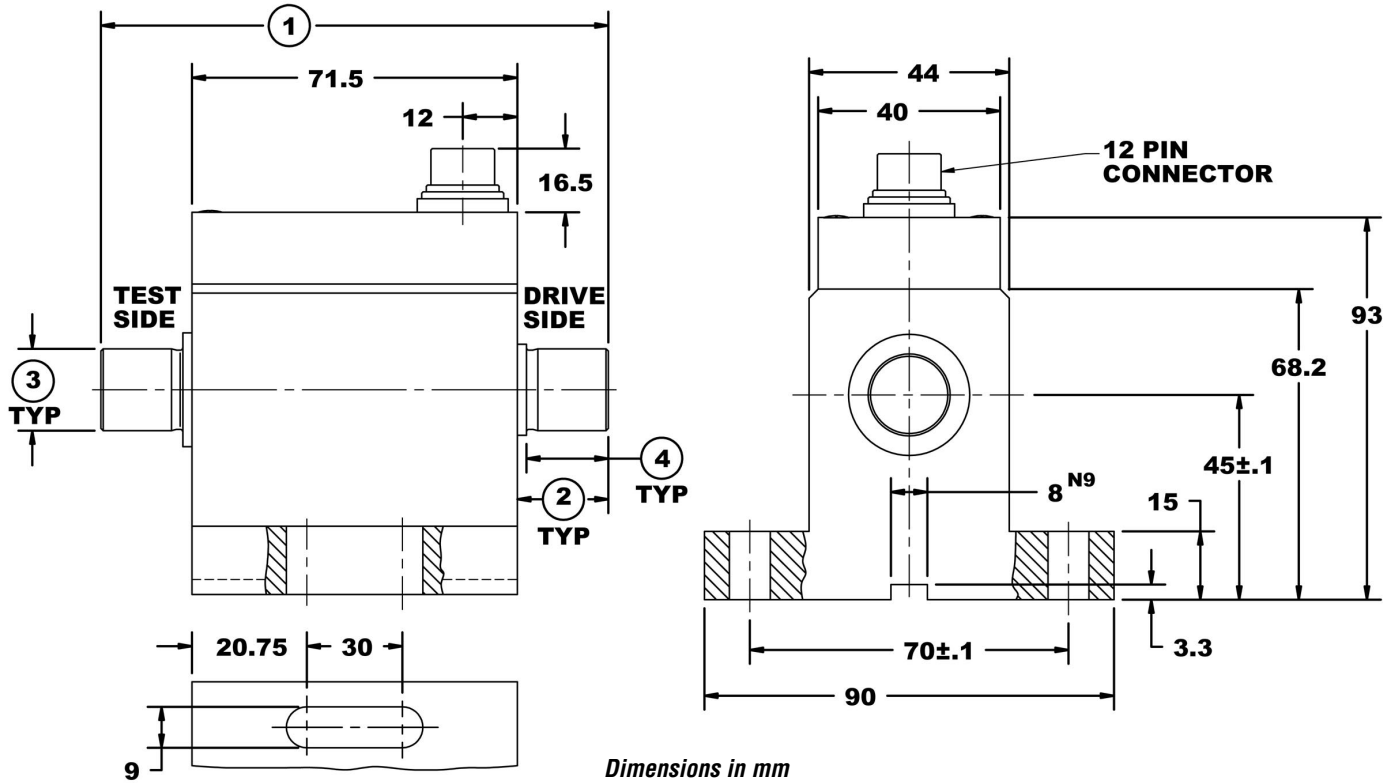
Safe Overload-% RO .....200  
 Cyclic Load Rating-% RO ..... $\pm 70$  peak  
 Max Speed - rpm .....Varies with capacity, see table

Shaft.....Stainless steel  
 Housing .....Aluminum

**Model T7 Dual Range-Pedestal Rotary Torque Transducer -**  
 Capacities 5/0.5 to 50/5 Nm

**DIMENSIONS**

Nominal Dual Range Torque (Range 1/Range 2)								
Capacity (Nm)	5/0.5		10/1		20/2, 30/3		50/5, 100/10	
Equivalent (lb-in)	44.3/4.43		88.5/8.85		177/17.7, 265/26.5		443/44.3, 885/88.5	
	inch	mm	inch	mm	inch	mm	inch	mm
①	4.23	107.5	4.23	107.5	4.39	111.5	5.81	147.5
②	0.71	18	0.71	18	0.79	20	1.50	38
③	0.3148/ 0.3144	8g6	0.3935/ 0.3931	10g6	0.7087/ 0.7082	18g6	0.7087/ 0.7082	18g6
④	0.67	17	0.67	17	0.71	18	1.42	36



TORQUE

## Model T7 Dual Range-Pedestal Rotary Torque Transducer -

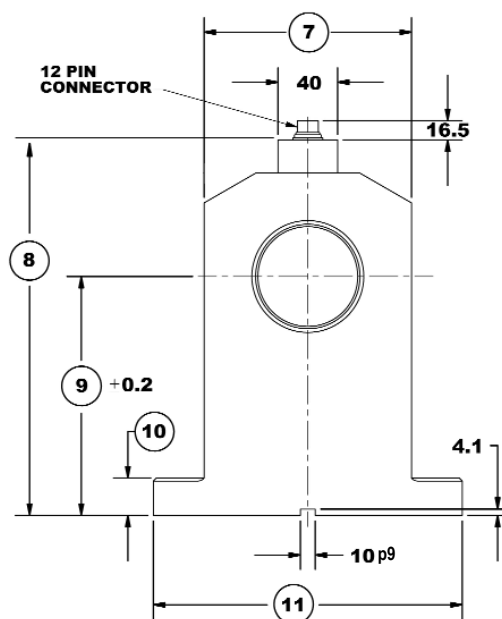
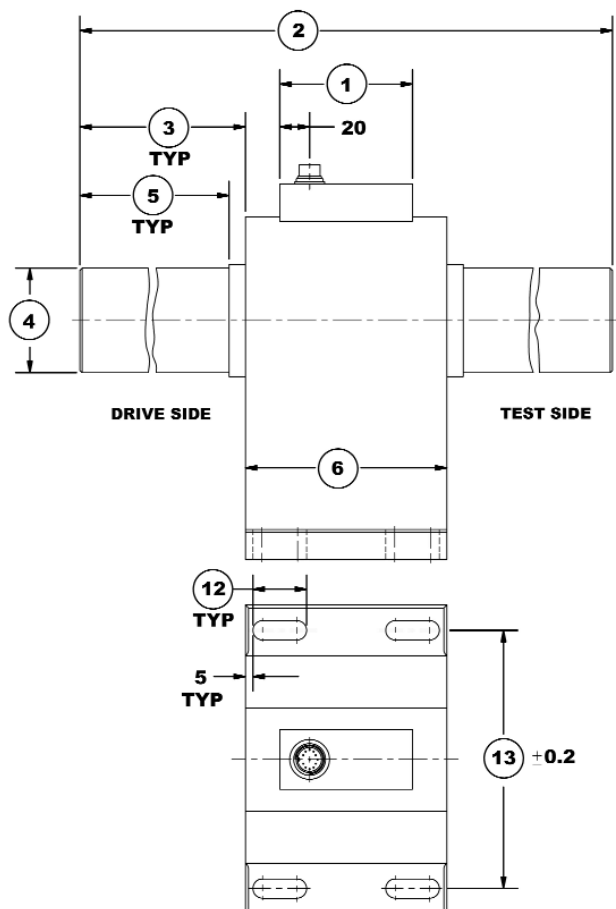
Capacities 5/0.5 to 50/5 Nm

### DIMENSIONS

Nominal Dual Range Torque (Range 1/Range 2)								
Capacity (Nm)	200/20, 300/30, 500/50		1K/100		2K/200, 5K/500		10K/1K	
Equivalent (lb-in)	1.77K/177, 2.65K/265, 4.43K/443		8.85K/885		17.7K/1.77K, 44.3K/4.43K		88.5K/8.85K	
	inch	mm	inch	mm	inch	mm	inch	mm
①	3.50	89	3.50	89	3.50	89	3.50	89
②	8.54	217	10.31	262	14.84	377	18.50	470
③	1.71	43.5	2.60	66	4.76	121	5.51	140
④	1.2595/ 1.2598	32 h6	1.9685/ 1.9675	50 h7	2.7559/ 2.7547	70 h7	4.3307/ 4.3293	110 h7
⑤	1.50	38	2.28	58	4.33	110	4.72	120
⑥	5.12	130	5.12	130	5.31	135	7.48	190
⑦	4.53	115	4.53	115	5.47	139	8.27	210
⑧	7.50	190.4	7.50	190.4	9.90	251.5	13.50	343
⑨	4.41	112	4.41	112	6.30	160	8.46	215
⑩	0.79	20	0.79	20	0.98	25	1.57	40
⑪	6.89	175	6.89	175	8.15	207	11.81	300
⑫	1.18	30	1.18	30	1.42	36	1.77	45
⑬	5.71	145	5.71	145	6.81	173	10.24	260



**T7 Dual Range-Pedestal  
Rotary Torque Transducer**



Dimensions in mm

**T7 DUAL RANGE-PEDESTAL ROTARY TORQUE TRANSDUCER PERFORMANCE PARAMETERS**

CAPACITY (Nm) (Range 1 / Range 2)	MAX RPM		SPRINGRATE (Nm/rad)	MOMENT OF INERTIA, J (Kgxm <sup>2</sup> )		MAX THRUST LOAD (N)
	Standard	Special		Drive Side	Test Side	
5/0.5	8,000	12,000	2.4x10 <sup>2</sup>	9.7x10 <sup>-6</sup>	7.9x10 <sup>-6</sup>	50
10/1	8,000	12,000	7.2x10 <sup>2</sup>	1.0x10 <sup>-5</sup>	7.9x10 <sup>-6</sup>	50
20/2	8,000	12,000	2.2x10 <sup>3</sup>	1.1x10 <sup>-5</sup>	9.9x10 <sup>-6</sup>	300
30/3	8,000	12,000	2.8x10 <sup>3</sup>	1.1x10 <sup>-5</sup>	9.9x10 <sup>-6</sup>	1,000
50/5	6,000	12,000	5.4x10 <sup>3</sup>	1.4x10 <sup>-5</sup>	1.1x10 <sup>-5</sup>	1,600
100/10	6,000	12,000	8.0x10 <sup>3</sup>	1.4x10 <sup>-5</sup>	1.2x10 <sup>-5</sup>	2,600
200/20	4,000	7,000	3.7x10 <sup>4</sup>	1.3x10 <sup>-3</sup>	8.0x10 <sup>-4</sup>	3,200
300/30	4,000	7,000	5.4x10 <sup>4</sup>	1.3x10 <sup>-3</sup>	8.0x10 <sup>-4</sup>	7,500
500/50	4,000	7,000	8.1x10 <sup>4</sup>	1.3x10 <sup>-3</sup>	8.0x10 <sup>-4</sup>	7,500
1,000/100	4,000	7,000	1.9x10 <sup>5</sup>	1.6x10 <sup>-3</sup>	1.1x10 <sup>-3</sup>	10,000
2,000/200	3,500	5,500	5.1x10 <sup>5</sup>	5.4x10 <sup>-3</sup>	4.2x10 <sup>-3</sup>	18,000
5,000/500	3,500	5,500	7.8x10 <sup>5</sup>	5.5x10 <sup>-3</sup>	4.3x10 <sup>-4</sup>	32,000
10,000/1,000	3,000	3,500	3.1x10 <sup>6</sup>	4.1x10 <sup>-2</sup>	3.6x10 <sup>-2</sup>	125,000

TORQUE

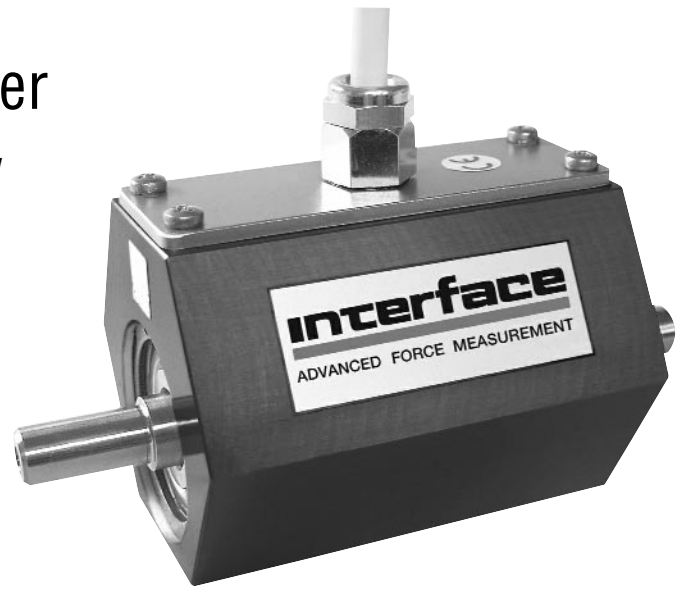
**ELECTRICAL CONNECTION**

12-PIN T7 DUAL RANGE		
Pin	Function	Description
A	NC	-
B	Option Angle B	TTL
C	Signal (+)	±5 VDC
D	Signal (GND)	0 VDC
E	Supply (GND)	0 VDC
F	Supply (+)	12-28 VDC
G	Option Angle A	TTL
H	Signal 2 (+)	±5 VDC
J	NC	-
K	Cal. Control	L < 2.0 / H > 3.5 V
L	NC	-
M	Shield	Transducer Housing

# Model T8 ECO Rotary Torque Transducer

Why the Interface model T8 ECO Rotary Torque Transducer is the best in class:

- Capacities from 0.2 to 200 Nm (1.77 to 1.77K lb-in)
- Stainless steel shaft
- $\pm 5$  VDC output
- 12-28 VDC supply
- Contactless



T8 ECO Rotary Torque Transducer

## SPECIFICATIONS

**ACCURACY – (MAX ERROR)**  
 Combined Error-% FS ..... $\pm 0.25$   
 Nonrepeatability-% ..... $\pm 0.05$

**TEMPERATURE**  
 Effect on Zero-% RO/ $^{\circ}$ C ..... $\pm 0.04$   
 Effect on Output-%/ $^{\circ}$ C ..... $\pm 0.02$   
 Rated Range- $^{\circ}$ C .....+5 to +45  
 Operating Range- $^{\circ}$ C .....0 to +60

**ELECTRICAL**  
 Output-VDC ..... $\pm 5$   
 Bandwidth, Hz .....1 kHz-3dB  
 Supply Voltage-VDC .....12 to 28  
 Supply Current-mA .....90  
 Electrical Connection .....Integral cable, 3-ft

**MECHANICAL**  
 Safe Overload-% RO .....180  
 Cyclic Load Rating-% RO ..... $\pm 70$  peak  
 Max Speed - rpm .....Varies with capacity, see table

Shaft.....Stainless steel  
 Housing .....Aluminum

T8 INTEGRAL CABLE WIRING CODE		
Function	Description	Color
Supply (+)	12 to 28 VDC	Brown
Supply (GND)	0 VDC	Green
Signal (+)	$\pm 5$ VDC	Yellow
Signal (GND)	0 VDC	White
Shield	Shield	Shield

## T8 ECO ROTARY TORQUE TRANSDUCER PERFORMANCE PARAMETERS

CAPACITY (Nm)	MAX RPM	SPRINGRATE (Nm/rad)	MOMENT OF INERTIA, J (Kgxm <sup>2</sup> )		MAX. THRUST LOAD (N)
			Drive Side	Test Side	
0.2	8,000	1.6	$1.6 \times 10^{-6}$	$1.0 \times 10^{-6}$	20
0.5	8,000	9.6	$1.6 \times 10^{-6}$	$1.0 \times 10^{-6}$	30
1	8,000	$3.6 \times 10^2$	$1.6 \times 10^{-6}$	$1.1 \times 10^{-6}$	40
2	8,000	$8.9 \times 10^2$	$1.6 \times 10^{-6}$	$1.1 \times 10^{-6}$	40
5	8,000	$8.9 \times 10^2$	$1.7 \times 10^{-6}$	$1.1 \times 10^{-6}$	50
10	8,000	$8.9 \times 10^2$	$1.7 \times 10^{-6}$	$1.1 \times 10^{-6}$	50
15	8,000	$8.4 \times 10^3$	$1.7 \times 10^{-6}$	$1.1 \times 10^{-6}$	50
20	6,000	$8.4 \times 10^3$	$4.2 \times 10^{-5}$	$2.1 \times 10^{-5}$	1,600
50	6,000	$8.4 \times 10^3$	$4.2 \times 10^{-5}$	$2.1 \times 10^{-5}$	1,600
100	6,000	$2.0 \times 10^4$	$4.7 \times 10^{-5}$	$2.7 \times 10^{-5}$	3,000
200	6,000	$2.0 \times 10^4$	$4.2 \times 10^{-5}$	$2.7 \times 10^{-5}$	3,000

## OPTIONS

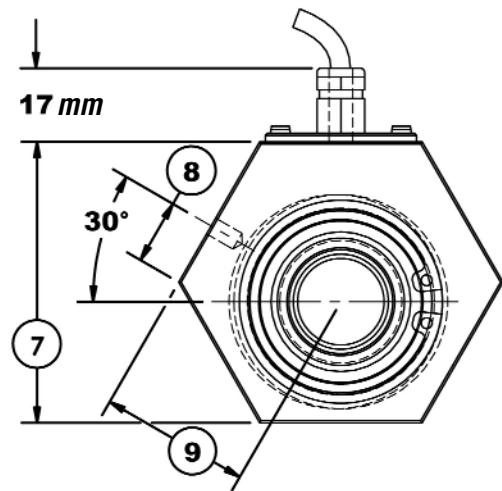
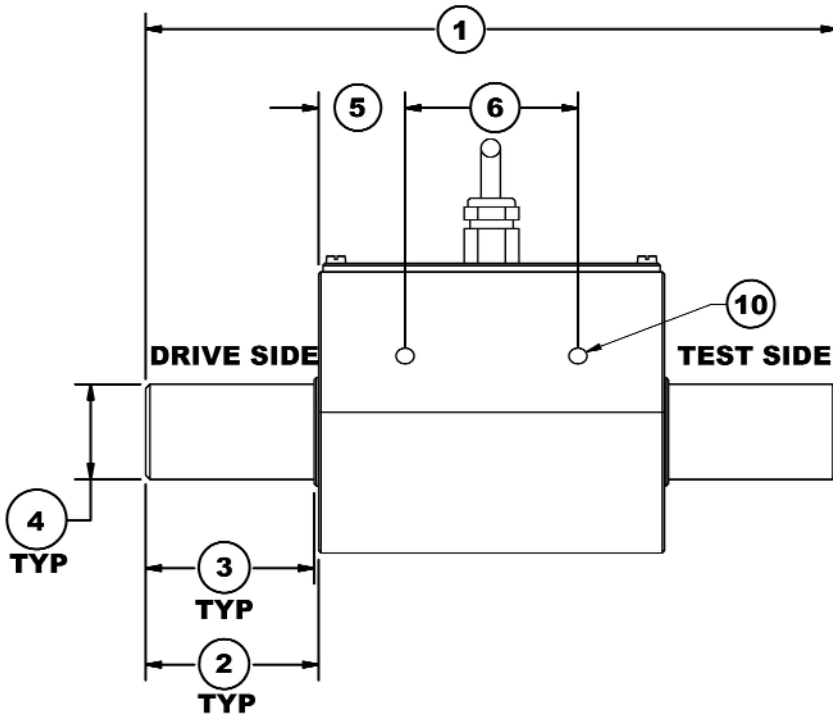
Extra Cable Length

T8 ECO Rotary Torque Transducer - Capacities 0.2 to 200 Nm

**DIMENSIONS**

Capacity (Nm)	Nominal Torque							
	0.2, 0.5, 1, 2		5, 10, 15		20, 50		100, 200	
	Equivalent (lb-in)		44.3, 88.5, 133		177, 443		885, 1.77K	
	inch	mm	inch	mm	inch	mm	inch	mm
①	3.94	100	3.94	100	5.51	140	6.30	160
②	0.69	17.5	0.69	17.5	1.18	30	1.57	40
③	0.67	17	0.67	17	1.14	29	1.53	39
④	0.3148/ 0.3144	8g6	0.3935/ 0.3931	10g6	0.7087/ 0.7082	18g6	0.8659/ 0.8654	22g6
⑤	0.59	15	0.59	15	0.79	20	0.79	20
⑥	1.38	35	1.38	35	1.57	40	1.57	40
⑦	1.81	46	1.81	46	2.56	65	2.56	65
⑧	0.31	8	0.31	8	0.59	15	0.59	15
⑨	1.02	26	1.02	26	1.37	34.8	1.37	34.8
⑩	M4	M4	M4	M4	M5	M5	M5	M5

TORQUE



# Model T11 Bearingless Rotary Torque Transducer

Why the Interface model T11 Bearingless Rotary Torque Transducer is the best in class:

- Capacities from 0.005 to 150 Nm (0.04 to 1,327 lb-in)
- Bearingless
- High speed - to 30K RPM
- ±5 VDC output
- Very low range
- Eliminates bearing friction effects
- 10 kHz sample rate
- 12-28 VDC supply



T11 Bearingless Torque Transducer

## OPTIONS

- +10 VDC Output
- Speed Output - 6 Pulse TTL, 1-Track
- Special Balancing for RPM to 40K

## SPECIFICATIONS

- ACCURACY – (MAX ERROR)**
- Combined Error-% FS .....±0.1
  - Nonrepeatability-% .....±0.02
- TEMPERATURE**
- Effect on Zero-% RO/°C .....±0.02
  - Effect on Output-%/°C .....±0.01
  - Rated Range-°C .....+5 to +45
  - Operating Range-°C .....+0 to +60
- ELECTRICAL**
- Output-VDC .....±5
  - Bandwidth, Hz .....3 kHz-3dB
  - Calibration Signal-% RO .....100
  - Supply Voltage-VDC .....12 to 28
  - Supply Current-mA .....60
  - Electrical Connection .....8-pin
- MECHANICAL**
- Safe Overload-% RO .....200
  - Cyclic Load Rating-% RO .....±70 peak
  - Max Speed - rpm .....30K - see table
  - Shaft.....Stainless steel
  - Housing .....Aluminum

## T11 BEARINGLESS TORQUE TRANSDUCER PERFORMANCE PARAMETERS

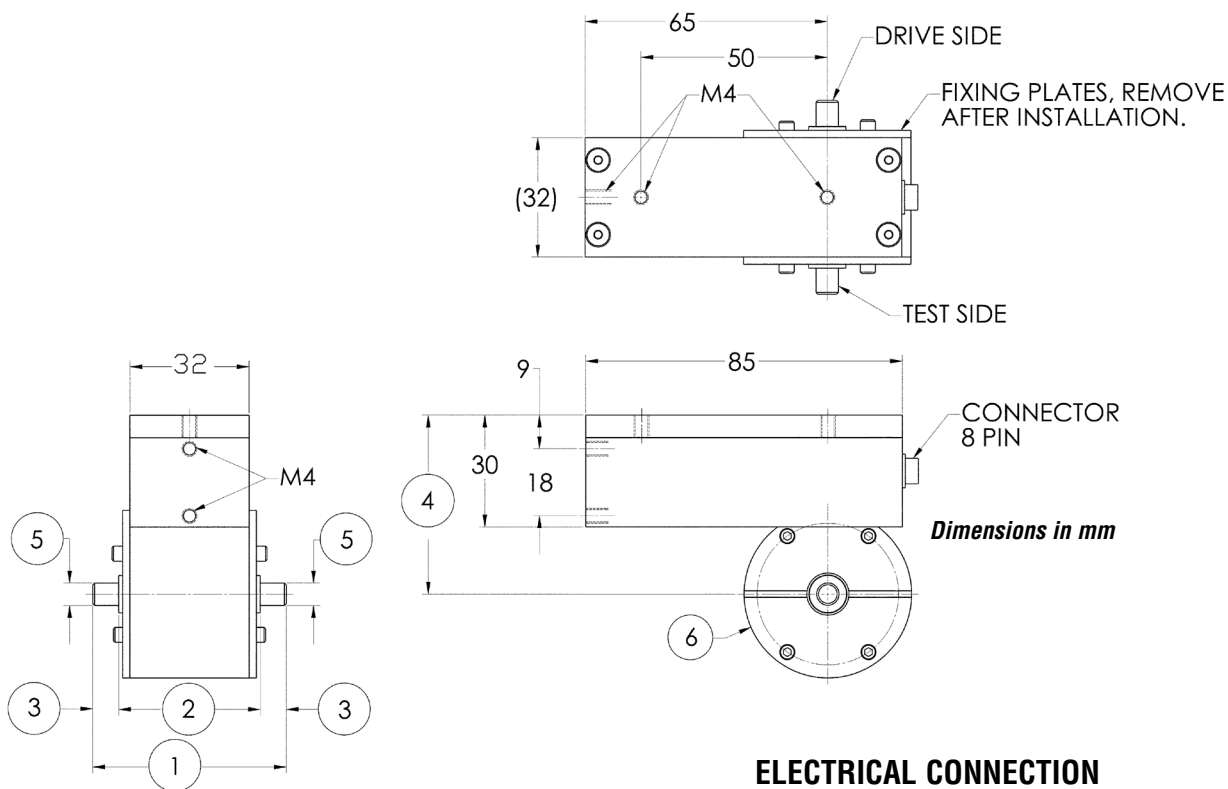
CAPACITY (Nm)	MAX RPM	SPRINGRATE (Nm/rad)	MOMENT OF INERTIA, J (Kgxm <sup>2</sup> )		MAX. THRUST LOAD (N)
			Drive Side	Test Side	
0.005	20,000	2.4x10 <sup>-1</sup>	7.5x10 <sup>-7</sup>	1.1x10 <sup>-8</sup>	3
0.01	20,000	4.7x10 <sup>-1</sup>	7.5x10 <sup>-7</sup>	1.1x10 <sup>-8</sup>	3
0.02	30,000	5.4x10 <sup>-1</sup>	7.6x10 <sup>-7</sup>	1.3x10 <sup>-8</sup>	10
0.05	30,000	5.4x10 <sup>-1</sup>	7.6x10 <sup>-7</sup>	1.3x10 <sup>-8</sup>	10
0.1	30,000	5.4x10 <sup>-1</sup>	7.6x10 <sup>-7</sup>	1.3x10 <sup>-8</sup>	15
0.2	30,000	5.4x10 <sup>-1</sup>	7.6x10 <sup>-7</sup>	1.3x10 <sup>-8</sup>	20
0.5	30,000	2.9	7.6x10 <sup>-7</sup>	1.3x10 <sup>-8</sup>	30
1	30,000	2.9	7.6x10 <sup>-7</sup>	1.3x10 <sup>-8</sup>	40
2	30,000	5.0x10 <sup>2</sup>	9.1x10 <sup>-7</sup>	8.3x10 <sup>-8</sup>	50
5	30,000	5.0x10 <sup>2</sup>	9.1x10 <sup>-7</sup>	8.3x10 <sup>-8</sup>	50
10	30,000	5.8x10 <sup>2</sup>	9.7x10 <sup>-7</sup>	1.5x10 <sup>-7</sup>	50
20	30,000	4.9x10 <sup>3</sup>	1.2x10 <sup>-5</sup>	3.6x10 <sup>-6</sup>	100
50	20,000	9.3x10 <sup>3</sup>	1.2x10 <sup>-5</sup>	3.9x10 <sup>-6</sup>	200
100	20,000	9.3x10 <sup>3</sup>	1.2x10 <sup>-5</sup>	3.9x10 <sup>-6</sup>	200
150	20,000	1.1x10 <sup>4</sup>	1.2x10 <sup>-5</sup>	4.2x10 <sup>-6</sup>	200



T11 Bearingless Torque Transducer - Capacities 0.005 to 150 Nm

**DIMENSIONS**

Nominal Torque										
Capacity (Nm)	0.005, 0.01		0.02, 0.05, 0.1, 0.2, 0.5, 1		2, 5		10		20, 50 100, 150	
Equivalent (lb-in)	0.04, 0.62		0.18, 0.44, 0.85, 1.77, 4.43, 8.85		17.7, 44.3		88.5		177, 443 885, 1.33K	
	inch	mm	inch	mm	inch	mm	inch	mm	inch	mm
①	1.89	48	2.05	52	2.68	68	2.68	68	4.80	122
②	1.50	38	1.50	38	1.50	38	1.50	38	1.97	50
③	0.20	5	0.28	7	0.59	15	0.59	15	1.42	36
④	1.89	48	1.89	48	1.89	48	1.89	48	2.09	53
⑤	0.1573/ 0.1570	4g6	0.2361/ 0.2357	6g6	0.3148/ 0.3144	8g6	0.3935/ 0.3931	10g6	0.7084/ 0.7080	18g6
⑥	1.77	45	1.77	45	1.77	45	1.77	45	2.34	59.5



**ELECTRICAL CONNECTION**

8-PIN T11 ELECTRICAL CONNECTION		
Pin	Function	Description
1	Supply (+)	12-28 VDC
2	Supply (GND)	0 VDC
3	Signal (+)	±5 VDC
4	Signal (GND)	0 VDC
5	Cal. Control	L < 2.0 / H > 3.5 V
6	Option Angle A	TTL
7	Option Angle B	TTL
8	NC	-

# Model T12 Square Drive Rotary Torque Transducer

Why the Interface model T12 Square Drive Rotary Torque Transducer is the best in class:

- Capacities from 0.10 to 5K Nm (0.88 to 44K lb-in)
- ±5 VDC output
- 12-28 VDC supply
- Contactless-no slip rings



T12 Square Drive Rotary Torque Transducer

## OPTIONS

Angle Measurement - 360 Pulse TTL,  
 2-Tracks 90° Offset, Available on capacities up to  
 1,000 Nm only  
 ±10 V Torque Output  
 Enhanced Accuracy - Combined Error ±0.1%.  
 RS485 Output (Requires enhanced accuracy)

## SPECIFICATIONS

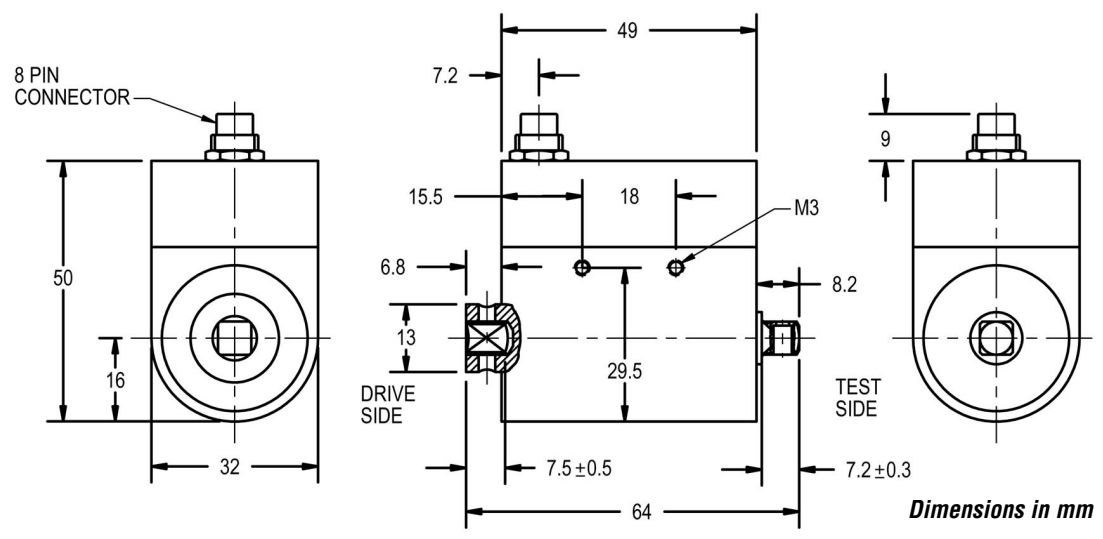
ACCURACY – (MAX ERROR)	Standard	Enhanced
Combined Error-% FS	±0.25	±0.1
Nonrepeatability-%	±0.05	±0.02
<b>TEMPERATURE</b>		
Effect on Zero-% RO/°C	±0.05	±0.02
Effect on Output-%/°C	±0.02	±0.01
Rated Range-°C	+5 to +45	+5 to +45
Operating Range-°C	0 to +60	0 to +60
<b>ELECTRICAL</b>		
Output-VDC	±5	±5
Bandwidth, Hz	1 kHz-3dB	3 kHz-3dB
Calibration Signal-% RO	100	100
Supply Voltage-VDC	12 to 28	12 to 28
Supply Current-mA	60	60
Electrical Connection	8 or 12-pin	8 or 12-pin
<b>MECHANICAL</b>		
Safe Overload-% RO	200	200
Cyclic Load Rating-% RO	±70 peak	±70 peak
Max Speed - rpm	See table	See table
Housing	Aluminum	Aluminum

**T12 Square Drive Torque Transducer -**  
 Capacities 0.1 to 20 Nm - 1/4" Drive

## DIMENSIONS

1/4" Drive - Nominal Torque									
Capacity (Nm)	0.1	0.2	0.5	1	2	5	10	15	20
Equivalent (lb-in)	0.85	1.77	4.43	8.85	17.7	44.3	88.5	133	177

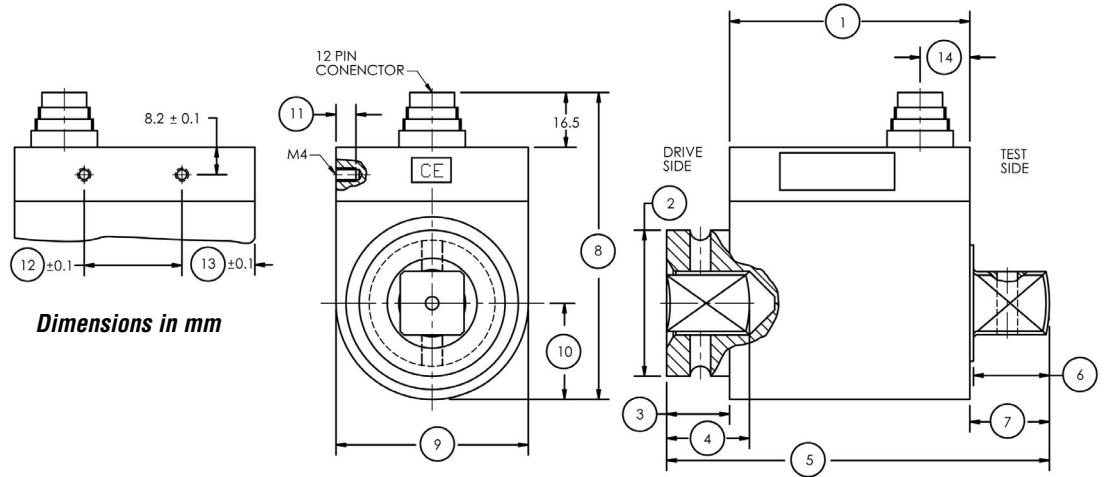
**See Drawing**



T12 Square Drive Torque Transducer - Capacities 35 to 1,000 Nm

**DIMENSIONS**

Nominal Torque								
Capacity (Nm)	35, 50, 63		100, 160, 200		300, 500		1K	
Equivalent (lb-in)	310, 442, 558		885, 1.41K, 1.77K		2.26K, 4.43K		8.85K	
Square	3/8"		1/2"		3/4"		1"	
	inch	mm	inch	mm	inch	mm	inch	mm
①	2.82	71.5	2.82	71.5	2.86	72.5	2.86	72.5
②	0.87	22	1.17	29.8	1.73	44	2.13	54
③	0.43	11	0.51	13	0.75	19	1.14	29
④	0.44	11.2	0.63	15.9	0.94	23.9	1.13	28.6
⑤	3.72	94.5	3.96	100.5	4.55	115.5	5.14	130.5
⑥	0.40	10.7	0.61	15.4	0.90	22.9	1.09	27.6
⑦	0.47	12	0.63	16	0.95	24	1.14	29
⑧	2.32	59	2.32	59	2.99	76	2.99	76
⑨	1.58	40	1.58	40	2.29	58	2.29	58
⑩	0.79	20	0.79	20	1.14	29	1.14	29
⑪	0.20	5	0.20	5	0.24	6	0.24	6
⑫	1.64	41.5	1.64	41.5	1.16	29.5	1.16	29.5
⑬	.591	15	.591	15	0.87	22	0.87	22
⑭	0.47	12	0.47	12	0.59	15	0.59	15

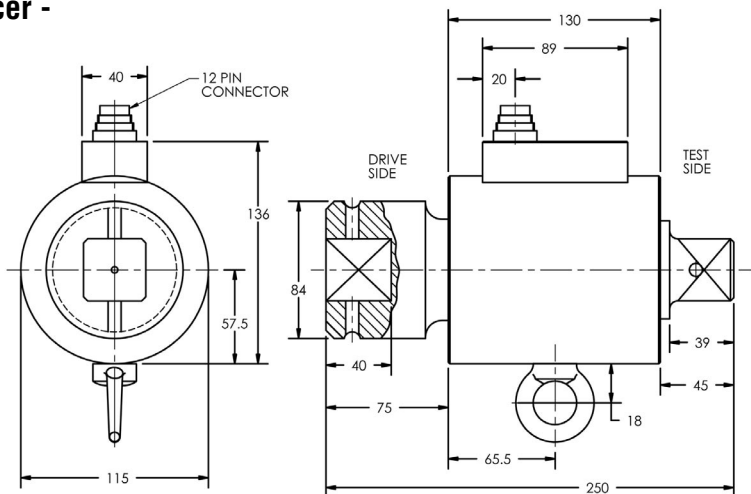


Dimensions in mm

T12 Square Drive Torque Transducer - Capacities 2K to 5K Nm - 1 1/2" Drive

**DIMENSIONS**

1 1/2" Drive - Nominal Torque		
Capacity (Nm)	2K	5K
Equivalent (lb-in)	17K	44.3K
<b>See Drawing</b>		



Dimensions in mm

# Model T12 Square Drive Rotary Torque Transducer

## T12 SQUARE DRIVE TORQUE TRANSDUCER PERFORMANCE PARAMETERS

CAPACITY (Nm)	SQUARE (INCH)	MAX RPM	SPRINGRATE (Nm/rad)	MOMENT OF INERTIA, J (Kgx <sup>m</sup> <sup>2</sup> )		MAX. THRUST LOAD (N)
				Drive Side	Test Side	
0.1	0.25	3,000	1.0	2.1x10 <sup>-6</sup>	2.3x10 <sup>-7</sup>	15
0.2	0.25	3,000	1.0	2.1x10 <sup>-6</sup>	2.3x10 <sup>-7</sup>	20
0.5	0.25	3,000	5.9	2.1x10 <sup>-6</sup>	2.3x10 <sup>-7</sup>	30
1	0.25	4,000	5.9	2.1x10 <sup>-6</sup>	2.3x10 <sup>-7</sup>	40
2	0.25	4,000	3.0x10 <sup>3</sup>	2.1x10 <sup>-6</sup>	2.4x10 <sup>-7</sup>	50
5	0.25	4,000	3.5x10 <sup>3</sup>	2.1x10 <sup>-6</sup>	2.4x10 <sup>-7</sup>	50
10	0.25	4,000	7.3x10 <sup>3</sup>	2.1x10 <sup>-6</sup>	2.7x10 <sup>-7</sup>	50
15	0.25	4,000	7.3x10 <sup>3</sup>	2.1x10 <sup>-6</sup>	2.7x10 <sup>-7</sup>	100
20	0.25	4,000	7.3x10 <sup>3</sup>	2.1x10 <sup>-6</sup>	2.7x10 <sup>-7</sup>	100
35	.375	3,000	8.6x10 <sup>3</sup>	9.8x10 <sup>-6</sup>	1.1x10 <sup>-5</sup>	1,300
50	.375	3,000	1.0x10 <sup>4</sup>	9.9x10 <sup>-6</sup>	1.1x10 <sup>-5</sup>	1,600
63	.375	3,000	1.1x10 <sup>4</sup>	1.0x10 <sup>-5</sup>	1.1x10 <sup>-5</sup>	1,900
100	0.50	2,500	1.2x10 <sup>4</sup>	1.6x10 <sup>-5</sup>	1.1x10 <sup>-5</sup>	2,600
160	0.50	2,500	1.5x10 <sup>4</sup>	1.6x10 <sup>-5</sup>	1.2x10 <sup>-5</sup>	3,200
200	0.50	2,500	1.5x10 <sup>4</sup>	1.6x10 <sup>-5</sup>	1.2x10 <sup>-5</sup>	3,200
300	0.75	2,500	8.8x10 <sup>4</sup>	9.8x10 <sup>-5</sup>	7.7x10 <sup>-5</sup>	5,500
500	0.75	2,500	8.8x10 <sup>4</sup>	9.8x10 <sup>-5</sup>	7.7x10 <sup>-5</sup>	7,500
1,000	1.00	1,500	1.3x10 <sup>5</sup>	2.1x10 <sup>-4</sup>	1.1x10 <sup>-4</sup>	10,000
2,000	1.50	1,000	2.1x10 <sup>5</sup>	3.5x10 <sup>-3</sup>	1.8x10 <sup>-3</sup>	18,000
3,000	1.50	1,000	2.3x10 <sup>5</sup>	3.5x10 <sup>-3</sup>	1.8x10 <sup>-3</sup>	22,500
5,000	1.50	1,000	2.7x10 <sup>5</sup>	3.5x10 <sup>-3</sup>	1.8x10 <sup>-3</sup>	32,000

## ELECTRICAL CONNECTION

8-PIN T12 ELECTRICAL CONNECTION		
Pin	Function	Description
1	Supply (+)	12-28 VDC
2	Supply (GND)	0 VDC
3	Signal (+)	±5 VDC
4	Signal (GND)	0 VDC
5	Cal. Control	L < 2.0 / H > 3.5 V
6	Option Angle A	TTL
7	Option Angle B	TTL
8	NC	-

12-PIN T12 ELECTRICAL CONNECTION			12-PIN T12 RS485 OPTION	
Pin	Function	Description	Function	Description
A	NC	-	NC	-
B	Option Angle B	TTL	Option Angle B	TTL
C	Signal (+)	±5 VDC	NC	-
D	Signal (GND)	0 VDC	NC	-
E	Supply (GND)	0 VDC	Supply (GND)	0 VDC
F	Supply (+)	12-28 V	Supply (+)	12-28 VDC
G	Option Angle A	TTL	Option Angle A	TTL
H	NC	-	NC	-
J	NC	-	RS485 Option	RS485 (B)
K	Cal. Control	L < 2.0 V / H > 3.5 V	NC	-
L	NC	-	RS485 Option	RS485 (A)
M	Housing		Housing	



T12 Square Drive Rotary Torque Transducer

# Model T14 Slip-Ring Rotary Torque Transducer

Why the Interface model T14 Slip-Ring Rotary Torque Transducer is the best in class:

- Capacities from 1 to 500 Nm (8.85 to 4.4K lb-in)
- Integrated speed and angle measurement option
- Both shaft ends with keyway



T14 Slip-Ring Torque Transducer

## SPECIFICATIONS

### ACCURACY – (MAX ERROR)

Combined Error-% FS .....±0.1  
 Nonrepeatability-% .....±0.05

### TEMPERATURE

Effect on Zero-% RO/°C .....±0.02  
 Effect on Output-%/°C .....±0.01  
 Rated Range-°C .....+5 to +50  
 Compensated Range-°C .....-10 to +60

### ELECTRICAL

Output-mV/V .....2.0  
 Bridge Resistance-Ohm .....350  
 Electrical Connection .....12-pin

### MECHANICAL

Safe Overload-% RO .....130  
 Cyclic Load Rating-% RO .....±70 peak  
 Shaft.....Stainless steel  
 Housing .....Aluminum

## OPTIONS

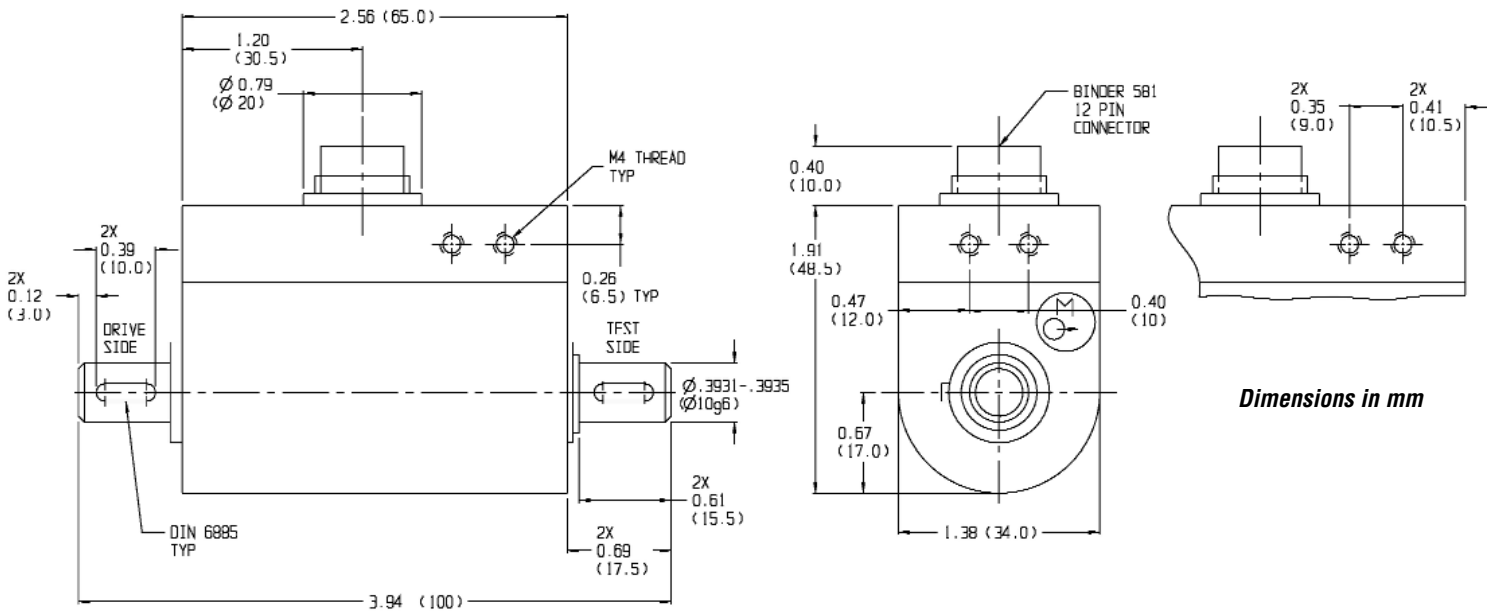
Speed & Angle Measurement - 360 Pulse TTL,  
 2-Tracks 90° Offset  
 Internal R-CAL, 100%

## T14 SLIP-RING TORQUE TRANSDUCER PERFORMANCE PARAMETERS

CAPACITY (Nm)	SENSITIVITY (mV/V)	CONTINUOUS MAX SPEED (min <sup>-1</sup> )	SPRINGRATE (Nm/rad)	MAXIMUM LATERAL LOAD (N)	MOMENT OF INERTIA, J (Kgxm <sup>2</sup> ) Drive Side	WEIGHT (Kg)
1	0.5	3,000	2.3x10 <sup>2</sup>	4	3.3x10 <sup>-6</sup>	0.5
2	0.5	3,000	2.3x10 <sup>2</sup>	5	3.3x10 <sup>-6</sup>	0.5
5	2	3,000	2.9x10 <sup>2</sup>	7	3.3x10 <sup>-6</sup>	0.5
10	2	3,000	5.6x10 <sup>2</sup>	7.5	1.1x10 <sup>-5</sup>	0.5
20	2	3,000	1.6x10 <sup>3</sup>	12	1.1x10 <sup>-5</sup>	0.6
50	2	3,000	4.1x10 <sup>3</sup>	28	1.1x10 <sup>-5</sup>	0.6
100	2	3,000	7.9x10 <sup>3</sup>	65	1.3x10 <sup>-5</sup>	0.6
200	2	3,000	2.8x10 <sup>4</sup>	80	1.0x10 <sup>-4</sup>	1.3
500	2	3,000	5.3x10 <sup>4</sup>	200	1.0x10 <sup>-4</sup>	1.3

Model T14 Slip-Ring Rotary Torque Transducer - Capacities 1 to 10 Nm (8.85 to 88.5 lb-in)

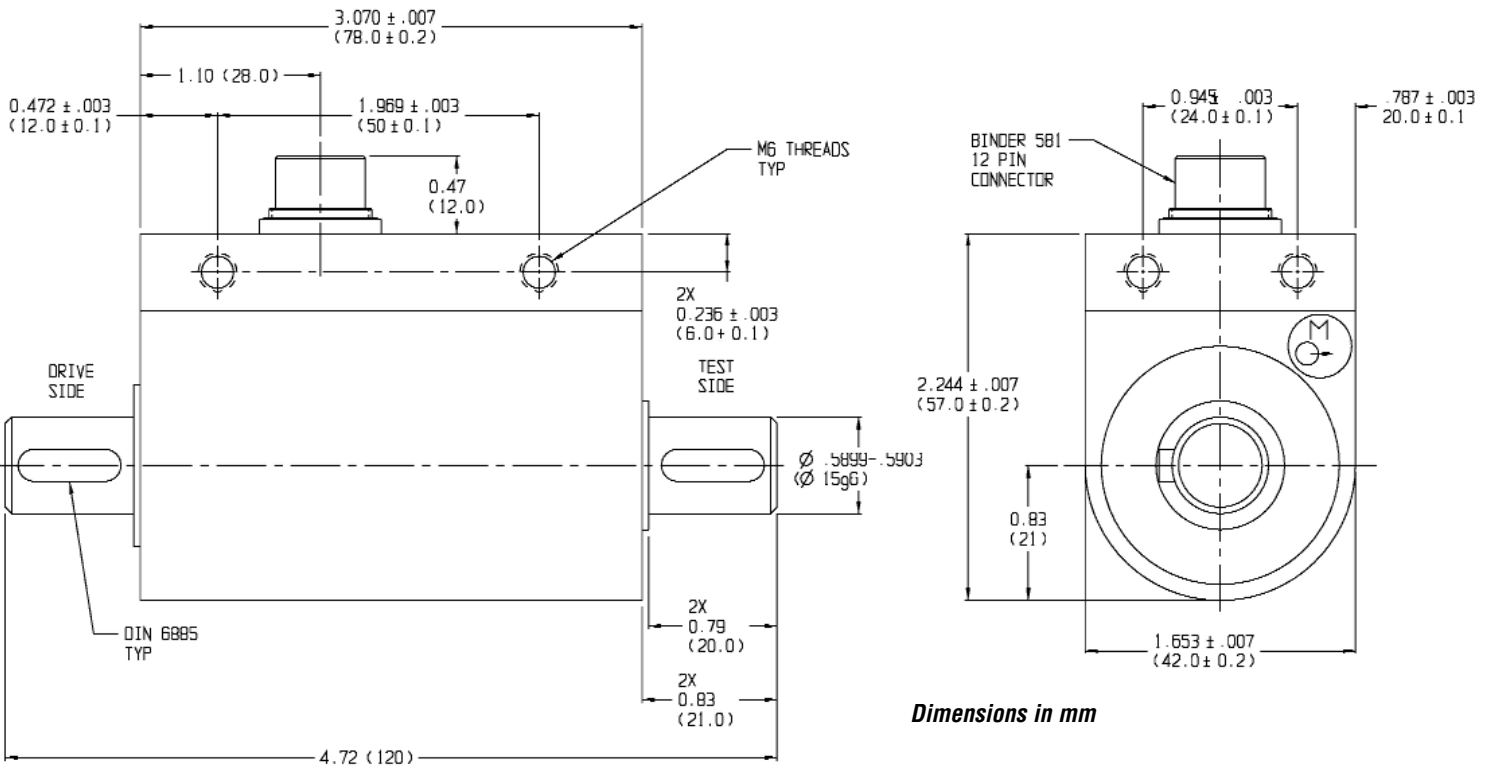
**DIMENSIONS**



TORQUE

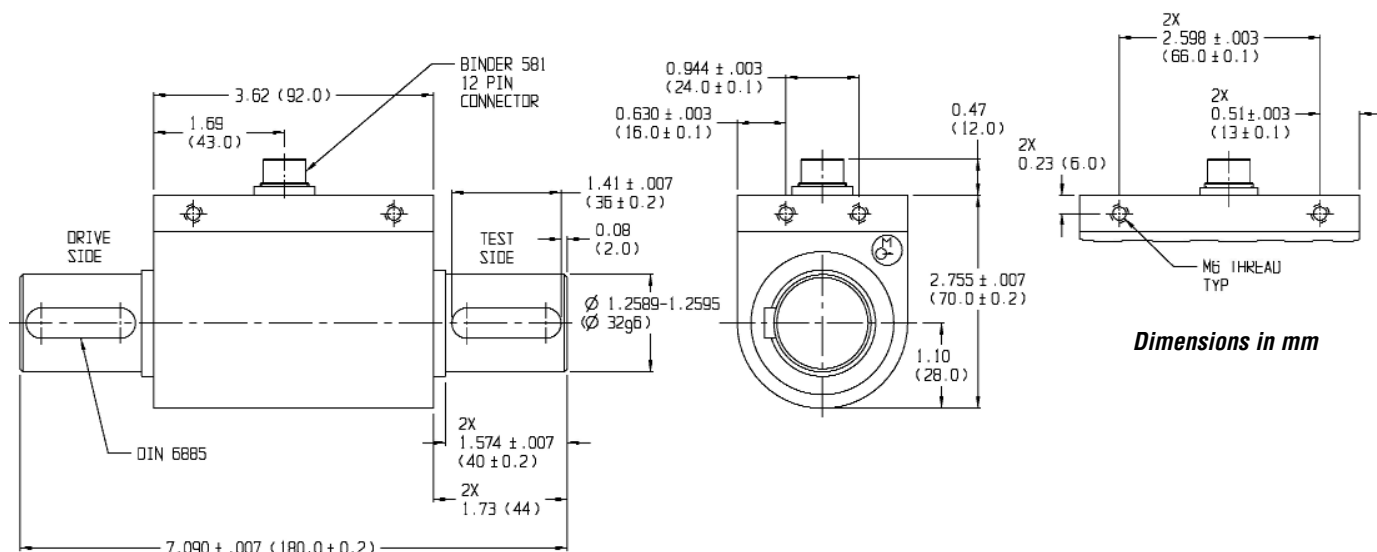
Model T14 Slip-Ring Rotary Torque Transducer - Capacities 20 to 50 Nm (177 to 443 lb-in)

**DIMENSIONS**



Model T14 Slip-Ring Rotary Torque Transducer - Capacities 200 to 500 Nm (1.77K to 4.4K lb-in)

**DIMENSIONS**



**ELECTRICAL CONNECTION**

12-PIN T14 SLIP-RING		
Pin	Function	Description
A	Excitation (GND)	0 V
B	Excitation (+)	2-12 V
C	Signal (+)	+ Output
D	Signal (-)	- Output
E	Excitation Angle	0 V
F	Excitation Angle	+5 V
G	Angle A	TTL
H	Angle B	TTL
J	Angle	0 V
K	R-CAL	Connect to Pin B
L	NC	-
M	Shield	



T14 Slip-Ring Torque Transducer

# Model T15 Hex Drive Rotary Torque Transducer

Why the Interface model T15 Hex Drive Rotary Torque Transducer is the best in class:

- Capacities from 0.2 to 20 Nm (1.77 to 177 lbf-in)
- Contactless - no slip rings
- High-level  $\pm 5V$  output
- 12-28V supply
- Angle measurement option
- Quick-Connect chuck



T15 Hex Drive Rotary Torque Transducer

## OPTIONS

Angle Measurement - 360 Pulse TTL, 2-Tracks 90° Offset  
 $\pm 10$  V Torque Output  
 Enhanced Accuracy - Combined Error  $\pm 0.1\%$   
 RS485 Output (Uses 12-pin connector, replaces  $\pm 5$  V)

## SPECIFICATIONS

ACCURACY – (MAX ERROR)	Standard	Enhanced
Combined Error-% FS	$\pm 0.25$	$\pm 0.1$
Nonrepeatability-%	$\pm 0.05$	$\pm 0.02$
<b>TEMPERATURE</b>		
Effect on Zero-% RO/ $^{\circ}C$	$\pm 0.05$	$\pm 0.02$
Effect on Output-%/ $^{\circ}C$	$\pm 0.02$	$\pm 0.01$
Rated Range- $^{\circ}C$	+5 to +45	+5 to +45
Operating Range- $^{\circ}C$	0 to +60	0 to +60
<b>ELECTRICAL</b>		
Output-VDC	$\pm 5$	$\pm 5$
Bandwidth, Hz	1 kHz-3dB	3 kHz-3dB
Calibration Signal-% RO	100	100
Supply Voltage-VDC	12 to 28	12 to 28
Supply Current-mA	60	60
Electrical Connection	8-pin	8-pin
<b>MECHANICAL</b>		
Safe Overload-% RO	200	200
Cyclic Load Rating-% RO	$\pm 70$ peak	$\pm 70$ peak
Max Speed - rpm	See table	See table
Housing	Aluminum	Aluminum



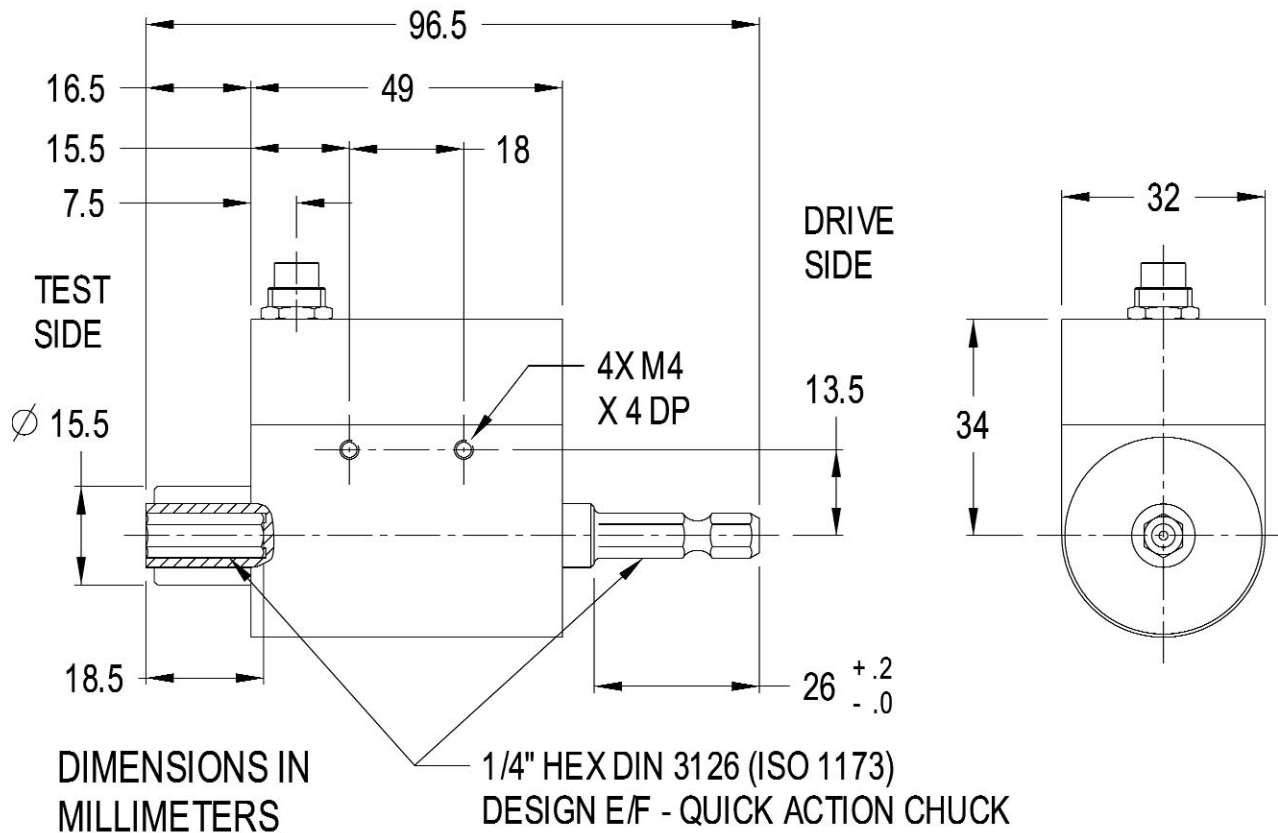
**T15 HEX DRIVE ROTARY TORQUE TRANSDUCER  
PERFORMANCE PARAMETERS**

CAPACITY (Nm)	HEXAGON (INCH)	MAX RPM	SPRINGRATE (Nm/rad)	MOMENT OF INERTIA (Kgxm <sup>2</sup> )		MAX. THRUST LOAD (N)
				Drive Side	Test Side	
0.1	0.25	3,000	1.0	2.5x10 <sup>-6</sup>	2.9x10 <sup>-7</sup>	15
0.2	0.25	3,000	1.0	2.5x10 <sup>-6</sup>	2.9x10 <sup>-7</sup>	20
0.5	0.25	3,000	5.8	2.5x10 <sup>-6</sup>	2.9x10 <sup>-7</sup>	30
1	0.25	4,000	2.3x10 <sup>2</sup>	2.6x10 <sup>-6</sup>	3.0x10 <sup>-7</sup>	40
2	0.25	4,000	2.9x10 <sup>2</sup>	2.6x10 <sup>-6</sup>	3.0x10 <sup>-7</sup>	50
5	0.25	4,000	4.6x10 <sup>2</sup>	2.6x10 <sup>-6</sup>	3.1x10 <sup>-7</sup>	50
10	0.25	4,000	5.2x10 <sup>2</sup>	2.6x10 <sup>-6</sup>	3.3x10 <sup>-7</sup>	50
15	0.25	4,000	5.2x10 <sup>2</sup>	2.6x10 <sup>-6</sup>	3.3x10 <sup>-7</sup>	100
20	0.25	4,000	5.2x10 <sup>2</sup>	2.6x10 <sup>-6</sup>	3.3x10 <sup>-7</sup>	100

**T15 Hex Drive Rotary Torque Transducer -  
Capacities 0.2 to 20 Nm**

**DIMENSIONS**

Nominal Torque							
Capacity (Nm)	0.2	0.5	1	2	5	10	20
Equivalent (lb-in)	1.77	4.43	8.85	17.7	44.3	88.5	177
See Drawing							



# Model T22 Pulley Rotary Torque Transducer

Why the Interface model T22 Pulley Rotary Torque Transducer is the best in class:

- Capacities from 20 to 5K Nm (177 to 44K lb-in)
- $\pm 5$  VDC output
- Digital electronics
- 10 kHz sample rate
- Contactless



T22 Pulley Rotary Torque Transducer

## OPTIONS

Speed & Angle Measurement - 360 Pulse TTL, 2-Tracks 90° Offset, Available on capacities up to 1,000 Nm only  
 Speed Output - 60 Pulse TTL, 1-Track, Available on capacities 2,000 Nm & above  
 $\pm 10$  V Torque Output  
 High Speed to 12,000 RPM

## SPECIFICATIONS

### ELECTRICAL CONNECTION

12-PIN T22 PULLEY		
Pin	Function	Description
A	NC	-
B	Option Angle B	TTL
C	Signal (+)	$\pm 5$ VDC
D	Signal (GND)	0 VDC
E	Supply (GND)	0 VDC
F	Supply (+)	12-28 VDC
G	Option Angle A	TTL
H	NC	-
J	NC	-
K	Cal. Control	$L < 2.0 / H > 3.5$ V
L	NC	-
M	Shield	Transducer Housing

**ACCURACY – (MAX ERROR)**  
 Combined Error-% FS ..... $\pm 0.1$   
 Nonrepeatability-% ..... $\pm 0.02$

**TEMPERATURE**  
 Effect on Zero-% RO/ $^{\circ}$ C ..... $\pm 0.02$   
 Effect on Output-%/ $^{\circ}$ C ..... $\pm 0.01$   
 Rated Range- $^{\circ}$ C .....+5 to +45  
 Operating Range- $^{\circ}$ C .....0 to +60

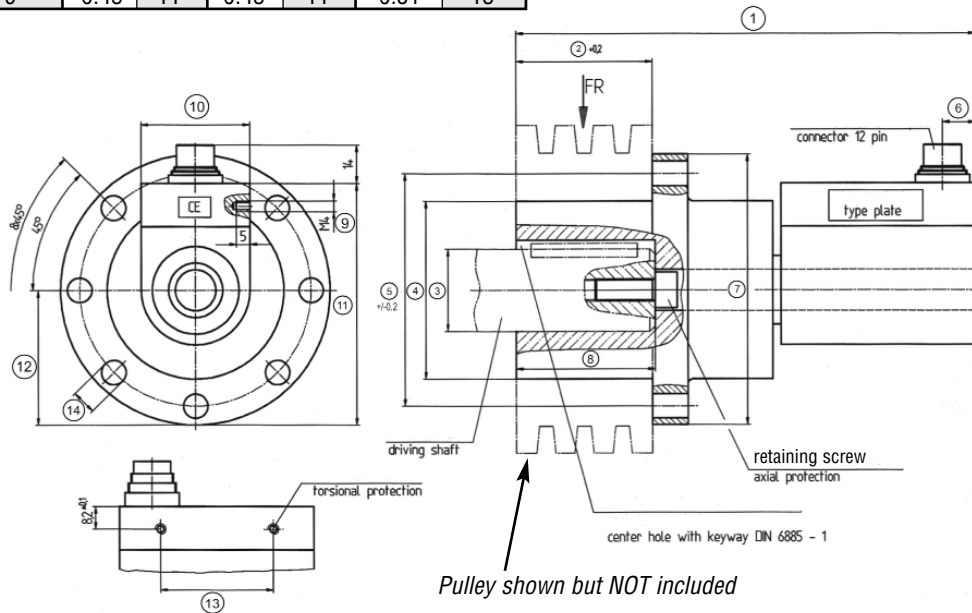
**ELECTRICAL**  
 Output-VDC ..... $\pm 5$   
 Bandwidth, Hz .....3 kHz-3dB  
 Calibration Signal-% RO .....100  
 Speed Output - puls/rev. ....60  
 Supply Voltage-VDC .....12 to 28  
 Supply Current-mA .....60  
 Electrical Connection .....12-pin

**MECHANICAL**  
 Safe Overload-% RO .....200  
 Cyclic Load Rating-% RO ..... $\pm 70$  peak  
 Max Speed - rpm .....Varies with capacity, see table  
 Housing .....Aluminum

Model T22 Pulley Rotary Torque Transducer-Capacities 20 to 5K Nm (177 to 44K lb-in)

**DIMENSIONS**

Nominal Range Torque								
Capacity (Nm)	20, 50, 100, 200		500		1000		2000, 5000	
Equivalent (lb-in)	177, 443, 885, 1,770		4,425		8,850		17,700, 44,254	
	inch	mm	inch	mm	inch	mm	inch	mm
①	6.63	168.5	8.96	227.5	8.96	227.5	11.32	287.5
②	1.97	50	2.36	60	2.36	60	4.43	110
③	0.59 1.18	15 H7/ 30 H7	157 2.17	40 H7/ 55 H7	1.97 2.17	50 H7/ 55 H7	2.36 3.35	60 H7/ 85 H7
④	2.56	65g6	5.51	140g6	5.51	140g6	6.69	170g6
⑤	3.35	85	6.22	158	6.22	158	7.68	195
⑥	0.47	12	0.59	15	0.59	15	0.59	15
⑦	3.90	99	6.93	176	6.93	176	8.66	220
⑧	2.01	51	3.15	80	3.15	80	5.12	130
⑨	M8	M8	M12	M12	M12	M12	M16	M16
⑩	1.57	40	2.28	58	2.28	58	2.28	58
⑪	3.48	88.5	5.31	135	5.31	135	6.18	157
⑫	1.95	49.5	3.43	88	3.43	88	4.33	110
⑬	1.63	41.5	1.16	29.5	1.16	29.5	1.16	29.5
⑭	0.35	9	0.43	11	0.43	11	0.51	13



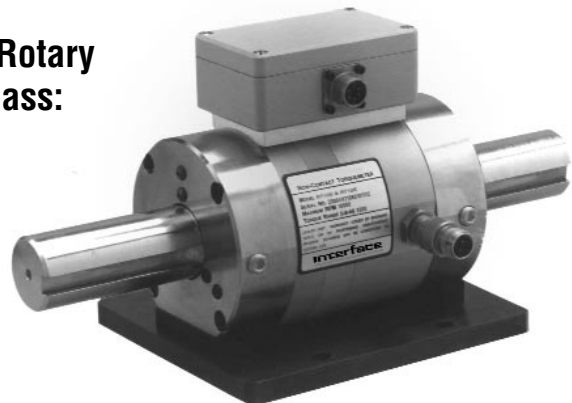
**T22 PULLEY TORQUE TRANSDUCER PERFORMANCE PARAMETERS**

CAPACITY (Nm)	MAX RPM		SPRINGRATE (Nm/rad)	MOMENT OF INERTIA, J (Kgxm <sup>2</sup> )		MAX RADIAL LOAD, FR (N)
	Standard	Special		Drive Side	Test Side	
20	6,000	12,000	1.3x10 <sup>4</sup>	1.6x10 <sup>-4</sup>	1.7x10 <sup>-3</sup>	11,000
50	6,000	12,000	2.6x10 <sup>4</sup>	1.6x10 <sup>-4</sup>	1.7x10 <sup>-3</sup>	11,000
100	6,000	12,000	5.3x10 <sup>4</sup>	1.6x10 <sup>-4</sup>	1.7x10 <sup>-3</sup>	11,000
200	6,000	12,000	1.1x10 <sup>5</sup>	1.6x10 <sup>-4</sup>	1.7x10 <sup>-3</sup>	11,000
500	5,000	10,000	3.1x10 <sup>5</sup>	2.4x10 <sup>-3</sup>	4.6x10 <sup>-2</sup>	37,000
1,000	5,000	10,000	6.7x10 <sup>5</sup>	2.4x10 <sup>-3</sup>	4.6x10 <sup>-2</sup>	37,000
2,000	3,000	5,000	9.4x10 <sup>5</sup>	1.8x10 <sup>-2</sup>	1.2x10 <sup>-1</sup>	48,000
5,000	3,000	5,000	2.5x10 <sup>6</sup>	1.8x10 <sup>-2</sup>	1.2x10 <sup>-1</sup>	48,000

# Model RT10E High Capacity Rotary Transformer Torque Transducer

Why the Interface model RT10E High Capacity Rotary Transformer Torque Transducer is the best in class:

- 4X overload rating
- Infinite fatigue life
- Hardened to EMI from adjustable speed drives
- Performance to 0.07%
- Bidirectional operation including stall
- Ferrite-free rotary transformer coupling
- Calibration & balance free of cable effects
- Unexcelled immunity to machinery magnetic fields
- 15-5 PH stainless shaft, splash proof & corrosion resistant
- mV/V output compatible with carrier amplifiers



## OPTIONS\*

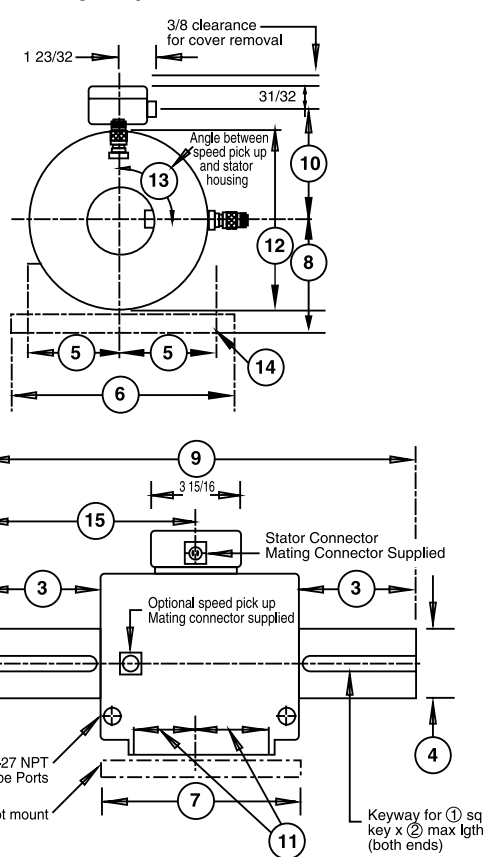
- On-board Signal Conditioning\*\*
- Digital Output-RS232\*\*
- Enhanced Performance
- Foot Mount (shown in photo)
- Standard & Zero Velocity Speed Pickups
- Flange Style Mount

## ACCESSORIES\*

- Interconnect Cables
- Digital Readout (9850) Page 155

\*Please call for additional information  
 \*\*Please consult factory for specifications

## DIMENSIONS (inch)



See Drawing	CAPACITY (lb-in)								
	25 to 100	250 to 500	500 to 1K	2K to 5K	10K to 20K	25K to 50K	100K to 250K	500K to 1M	1.5M to 2M
①	0.187	0.187	0.250	0.375	0.625	0.750	1.000	Note 3	Note 4
②	1.125	1.625	1.750	2.750	3.500	4.500	6.500	8.000	12
③	1.50	2.00	2.00	3.38	4.13	5.13	7.56	9.00	13.50
④	0.625	0.750	1.000	1.500	2.500	3.000	4.500	7.750	9.375
⑤	2.25	2.25	2.625	2.625	4.25	4.25	4.25	7.00	8.50
⑥	5.50	5.50	6.25	6.25	10.00	10.00	10.00	15.50	18.50
⑦	5.50	5.50	7.00	7.00	8.75	8.75	7.75	18.00	20.00
⑧	2.250	2.250	2.500	2.500	5.000	5.000	5.000	8.000	9.750
⑨	8.50	9.50	10.00	12.75	17.00	19.00	23.00	36.00	47.00
⑩	4.219	4.219	2.969	2.969	4.875	4.875	5.125	7.875	9.500
⑪	1.500	1.500	1.500	1.500	2.813	2.813	2.813	7.875	8.875
⑫	3.469	3.469	2.563	2.563	7.938	7.938	8.500	13.875	17
⑬	90°	90°	90°	90°	0°	0°	0°	0°	0°
⑭	.254	.304	.406	.609	Note 2	Note 2	Note 2	Note 2	Note 2
⑮	4.250	4.750	5	6.375	9.500	9.500	12.844	18	23.500

1. Tolerance on ④ diameter is +0.0000/-0.0005 for diameters ≤ 2.500 inch and +0.000/-0.001 for diameter ≥ 2.500 inch.
2. Slotted 0.531 inch wide by 1.125 inch long.
3. Dual rectangular keyways at each end are 2.000 inch wide by 1.500 inch high.
4. Dual rectangular keyways at each end are 2.500 inch wide by 1.750 inch high.

**SPECIFICATIONS**

PARAMETERS	MODEL	
	STANDARD	ENHANCED
<b>ACCURACY – (MAX ERROR)</b>		
Combined Error–%FS	±0.1	±0.07
Nonlinearity–%FS	±0.1	±0.05
Hysteresis–%FS	±0.1	±0.05
Nonrepeatability–%FS	±0.05	±0.02
Stability, 6 Months–%FS	±0.15	±0.10
Rotational Effect on Zero–%FS	±0.05	±0.02
<b>TEMPERATURE</b>		
Effect on Zero–%FS/°F	±0.002	±0.001
Span–%/°F	±0.002	±0.001
Compensated Range–°F	+75 to +175	
Usable Range–°F	-25 to +185	
Storage Range–°F	-65 to +225	
<b>ELECTRICAL</b>		
Fully bi-directional, dual output with common characteristics, as follows		
Clockwise (CW) Torque	+1.5 mV/V	
Counterclockwise (CCW) Torque	-1.5 mV/V	
Zero Balance	±1% of FS, nominal	
Excitation (MAX)	3-6 V rms, 3 khz ±10% sine wave only	
Readout	Strain gage carrier amplifier	

\*Specifications apply to mV/V models only. When selecting the **ON-BOARD SIGNAL CONDITIONING** or **DIGITAL OUTPUT** options please contact factory for specification details.

TORQUE RANGE		SPEED RATING	SHAFT* STIFFNESS	ROTATING INERTIA	MAX. WT.
[lb-in]	[Nm]	[rpm]	[lb-in/radian]	[oz-in sec <sup>2</sup> ]	[lbs]
25	2.82	0 to ±15,000	5,590	0.035	11
50	5.65	0 to ±15,000	11,700	0.035	11
100	11.3	0 to ±15,000	21,400	0.035	11
250	28.2	0 to ±15,000	50,200	0.036	12
500	56.5	0 to ±15,000	56,000	0.036	12
500	56.5	0 to ±10,000	154,000	0.11	23
1K	113	0 to ±10,000	214,000	0.11	23
2K	226	0 to ±10,000	421,000	0.16	26
5K	565	0 to ±10,000	593,000	0.16	26
10K	1,130	0 to ±8,000	1,800,000	2.3	105
20K	2,260	0 to ±8,000	2,700,000	2.4	105
25K	2,820	0 to ±6,000	5,700,000	2.8	115
50K	5,650	0 to ±6,000	7,100,000	3.0	115
100K	11,300	0 to ±3,600	29,000,000	11.0	150
250K	28,200	0 to ±3,600	36,000,000	11.7	150
500K	56,500	0 to ±1,800	125,000,000	207	780
1M	113,000	0 to ±1,800	142,000,000	218	800
1.5M	170,000	0 to ±1,200	221,000,000	567	1455
2M	226,000	0 to ±1,200	227,000,000	582	1475

\*Stiffness is conservatively rated and includes both the torsion section and shaft ends.

# Model RT12E High Capacity Rotary Transformer Torque Transducer

### Why the Interface model RT12E High Capacity Rotary Transformer Torque Transducer is the best in class:

- 2X overload rating
- Performance to 0.07%
- Bidirectional operation including stall
- Ferrite-free rotary transformer coupling
- Calibration & balance free of cable effects
- Unexcelled immunity to machinery magnetic fields
- 15-5 PH stainless shaft, splashproof & corrosion resistant
- mV/V output compatible with carrier amplifiers



### OPTIONS\*

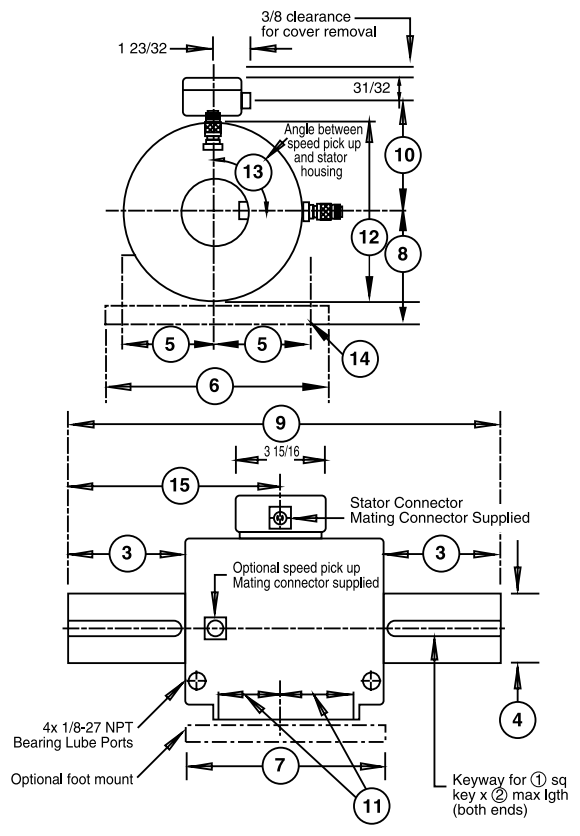
- On-board Signal Conditioning\*\*
- Digital Output-RS232\*\*
- Noise Hardening
- Enhanced Performance
- Foot Mount (shown in photo)
- Standard & Zero Velocity Speed Pickups
- Flange Style Mount

### ACCESSORIES\*

- Interconnect Cables
- Digital Readout (9850) Page 155

\*Please call for additional information  
 \*\*Please consult factory for specifications

### DIMENSIONS (inch)



See Drawing	CAPACITY (lb-in)								
	25 to 100	500 to 1K	1K to 2K	5K to 10K	20K to 40K	50K to 100K	200K to 375K	750K to 1.5M	3M to 4M
①	0.187	0.187	0.250	0.375	0.625	0.750	1.000	Note 3	Note 4
②	1.125	1.625	1.750	2.750	3.500	4.500	6.500	8.000	12
③	1.50	2.00	2.31	3.69	4.13	5.13	7.56	9.00	13.50
④	0.625	0.750	1.000	1.500	2.500	3.000	4.500	7.750	9.375
⑤	2.25	2.25	2.625	2.625	4.25	4.25	4.25	7.00	8.50
⑥	5.50	5.50	6.25	6.25	10.00	10.00	10.00	15.50	18.50
⑦	5.50	5.50	5.50	5.50	8.75	8.75	7.75	18.00	20.00
⑧	2.250	2.250	2.500	2.500	5.000	5.000	5.000	8.000	9.750
⑨	8.50	9.50	10.00	12.75	17.00	19.00	23.00	36.00	47.00
⑩	2.688	2.688	2.969	2.969	4.875	4.875	5.125	7.875	9.500
⑪	1.500	1.500	1.500	1.500	2.813	2.813	2.813	7.875	8.875
⑫	3.469	3.469	3.969	3.969	7.938	7.938	8.500	13.875	17
⑬	90°	90°	90°	90°	0°	0°	0°	0°	0°
⑭	.254	.304	.406	.609	Note 2	Note 2	Note 2	Note 2	Note 2
⑮	4.250	4.750	5	6.375	8.500	9.500	12.844	18	23.500

1. Tolerance on ④ diameter is +0.0000/-0.0005 for diameters ≤ 2.500 inch and +0.000/-0.001 for diameter ≥ 2.500 inch.
2. Slotted 0.531 inch wide by 1.125 inch long.
3. Dual rectangular keyways at each end are 2.000 inch wide by 1.500 inch high.
4. Dual rectangular keyways at each end are 2.500 inch wide by 1.750 inch high.

**SPECIFICATIONS**

PARAMETERS	MODEL	
	STANDARD	ENHANCED
<b>ACCURACY – (MAX ERROR)</b>		
Combined Error-%FS	±0.1	±0.07
Nonlinearity-%FS	±0.1	≤±0.05
Hysteresis-%FS	±0.1	±0.05
Nonrepeatability-%FS	±0.05	±0.02
Stability, 6 Months-%FS	±0.15	±0.10
Rotational Effect on Zero-%FS	±0.05	±0.02
<b>TEMPERATURE</b>		
Effect on Zero-%FS/°F	±0.002	0.001
Span-%/°F	±0.002	±0.001
Compensated Range-°F	+75 to +175	
Minimum Usable Range-°F	-25 to +185	
Storage Range-°F	-65 to +225	
<b>ELECTRICAL</b>		
Fully bi-directional, dual output with common characteristics, as follows		
Clockwise (CW) Torque	+1.5 mV/V	
Counterclockwise (CCW) Torque	-1.5 mV/V	
Zero Balance	±1% of FS, nominal	
Excitation (MAX)	3-6 V rms, 3 kHz ±10% sine wave only	
Readout	Strain gage carrier amplifier	

\*Specifications apply to mV/V models only. When selecting the **ON-BOARD SIGNAL CONDITIONING** or **DIGITAL OUTPUT** options please contact factory for specification details.

TORQUE RANGE		SPEED RATING	SHAFT* STIFFNESS	ROTATING INERTIA	MAX. WT.
[lb-in]	[Nm]	[rpm]	[lb-in/radian]	[oz.-in sec <sup>2</sup> ]	[lbs]
25	2.82	0 to ±15,000	2,150	0.034	6
50	5.65	0 to ±15,000	6,030	0.034	6
100	11.3	0 to ±15,000	14,700	0.034	6
200	22.6	0 to ±15,000	18,900	0.034	6
500	56.5	0 to ±15,000	57,900	0.035	7
1K	113	0 to ±15,000	70,100	0.035	7
1K	113	0 to ±8,500	197,100	0.15	11
2K	226	0 to ±8,500	260,000	0.15	11
5K	565	0 to ±8,500	580,000	0.19	14
10K	1,130	0 to ±8,500	605,000	0.19	14
20K	2,260	0 to ±8,000	1,800,000	2.3	105
40K	4,520	0 to ±8,000	2,700,000	2.4	105
50K	5,650	0 to ±6,000	5,700,000	2.8	115
100K	11,300	0 to ±6,000	7,100,000	3	115
200K	22,600	0 to ±3,600	29,000,000	11	150
375K	42,400	0 to ±3,600	38,000,000	11.7	150
750K	84,700	0 to ±1,800	115,000,000	205	775
1.5M	169,000	0 to ±1,800	136,000,000	212	790
3M	339,000	0 to ±1,200	221,000,000	567	1455
4M	452,000	0 to ±1,200	227,000,000	582	1475

\*Stiffness is conservatively rated and includes both the torsion section and shaft ends.

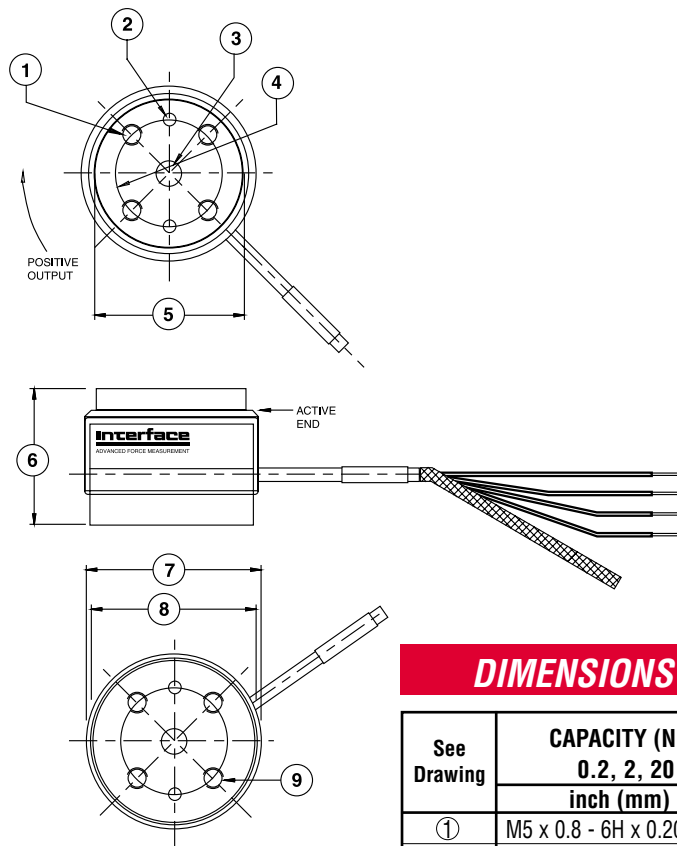
# Model MRT Miniature Reaction Torque Transducer

Why the Interface model MRT Miniature Reaction Torque Cell is the best in class:

- Proprietary Interface temperature compensated strain gages
- Low capacity - as low as 1.77 in-lb (0.2 Nm)
- Small size - 1.6 in OD x 1.25 in
- Excellent linearity & repeatability
- Low deflection - high torsional stiffness



TORQUE



## DIMENSIONS

See Drawing	CAPACITY (Nm)
	0.2, 2, 20
	inch (mm)
①	M5 x 0.8 - 6H x 0.20 Deep
②	.119 ±0.001 (3.02 ±0.03)
③	.237 thru (6.02)
④	.984 (24.99)
⑤	1.375 (34.95)
⑥	1.25 (31.8)
⑦	1.60 (40.6)
⑧	1.50 (38.1)
⑨	M5 x 0.8 - 6H x 0.20 Deep

## SPECIFICATIONS

Standard Capacities (Nm) .....0.2, 2, 20  
 Equivalent (in-lb) .....1.77, 17.7, 177

### ACCURACY – (MAX ERROR)

Nonlinearity-% FS .....±0.10  
 Hysteresis-% FS .....±0.10  
 Nonrepeatability-% RO .....±0.05  
 Creep, in 20 min-% .....±0.10

### TEMPERATURE

Compensated Range-°F .....15 to 115  
 Compensated Range-°C .....-10 to 45  
 Operating Range-°F .....-65 to 200  
 Operating Range-°C .....-55 to 90  
 Effect on Zero-% RO/100F° .....±0.20  
 Effect on Output-%/100F° .....±0.10

### ELECTRICAL

Rated Output-mV/V (Nominal) .....2.00 ±0.30  
 Zero Balance-% RO .....±1.0  
 Input Resistance-Ohms .....700 + 100/-7  
 Output Resistance-Ohms .....700 ±7  
 Insulation Resistance-Megohm .....>5000  
 Excitation, Nominal .....10 VDC  
 Excitation, Maximum .....20 VDC

### MECHANICAL

Overload:  
 -safe torsion-% CAP .....±150  
 -ultimate torsion-% CAP .....±400  
 -safe side load-N .....13, 110, 400  
 -lbf .....3, 25, 90  
 -safe overhung moment-% CAP .....100  
 -safe mounting torque-Nm .....0.3, 3, 9  
 -in-lb .....2.7, 27, 80  
 Deflection at capacity-radian .....0.007, 0.003, 0.003  
 Cable length-feet .....5



# Model MRT2 Miniature Overload Protected Reaction Torque Transducer

Why the Interface model MRT2 Miniature Overload Protected Reaction Torque Transducer is the best in class:

- Capacities from 0.2 to 50 Nm (1.77 to 443 lbf-in)
- Overload protected to 3X capacity (0.2 and 2 Nm only)
- Proprietary Interface temperature compensated strain gages
- Small size - 1.6 in OD X 1.25 in
- Low deflection - high torsional stiffness



TORQUE

## SPECIFICATIONS

	MRT2P	MRT2
Standard Capacities (Nm) .....	0.2 2	10 20 50
Equivalent (in-lb) .....	1.77 17.7	88.5 177 443

### ACCURACY - (MAX ERROR)

Nonlinearity-% FS .....	±0.10
Hysteresis-% FS .....	±0.10
Nonrepeatability-% RO .....	±0.05

### TEMPERATURE

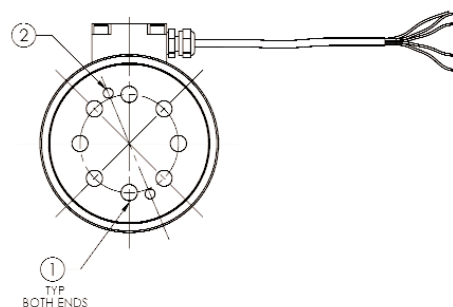
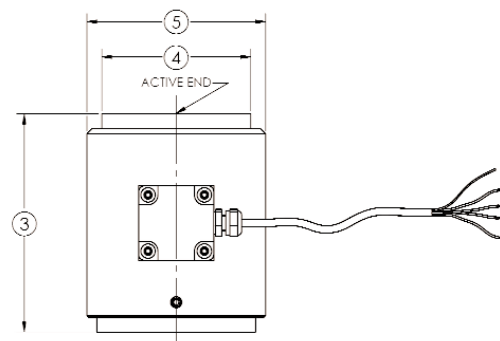
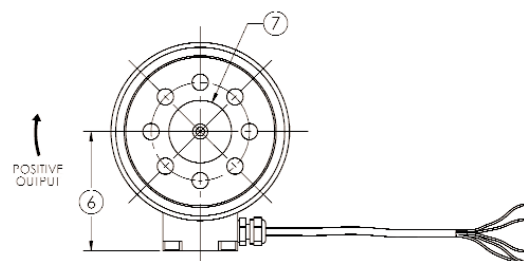
Effect on Zero-% /100F° .....	±0.20
Effect on Output-%RO/F° .....	±0.10
Operating Range-°F .....	-65 to 200
Compensated Range-°F .....	15 to 115

### ELECTRICAL

Output-mV/V .....	2.00 ±0.30
Excitation-VDC MAX .....	±1.0
Bridge Resistance-Ohms .....	700 ±7
Electrical Connection .....	5' Integral Cable

### MECHANICAL

	MRT2P	MRT2
Safe Torsion-% RO .....	300 300	150 150 150
Deflection at Capacity-rad .....	0.01 0.007	0.003 0.003 0.002
Overhung Moment-%CAP MAX .....	100 100	100 100 100
Shear-N MAX .....	13 110	333 400 900
Material .....	Aluminum	



## DIMENSIONS

See Drawing	CAPACITY (Nm) 0.2, 2, 10, 20, 50 inch (mm)
①	M5 x 0.8 - 6H x 0.32 Deep 8 PL EX SP on 1.240 B.C.
②	.125 +.0005/- .0000 2 PL EQ SP on 1.375 B.C.
③	2.75
④	1.875
⑤	2.25
⑥	1.50
⑦	.7874 +.0008/- .0000

# Model 5330 Hollow Flange Reaction Torque Transducer

Why the Interface model 5330 Reaction Torque Transducer is the best in class:

- High torsional stiffness
- Compact size
- Large thru-hole



## SPECIFICATIONS

**ACCURACY – (MAX ERROR)**  
 Nonlinearity-% FS .....±0.1  
 Hysteresis-% FS .....±0.25  
 Nonrepeatability-% .....±0.05

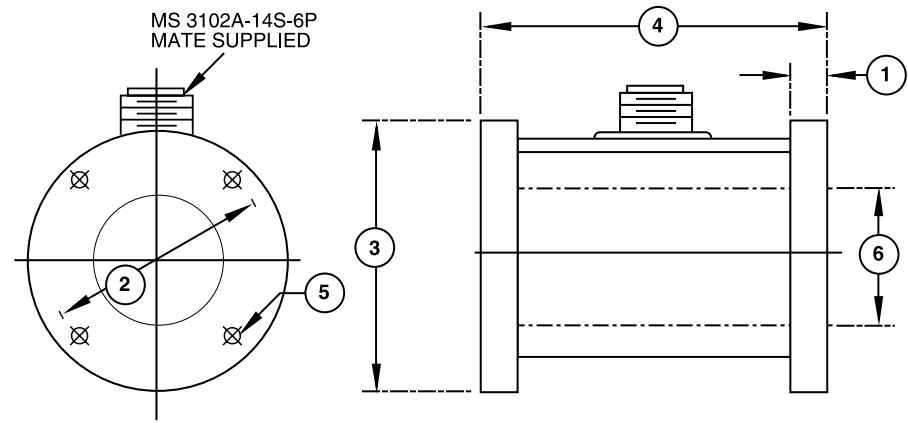
**TEMPERATURE**  
 Compensated Range-°F .....±75 to ±175  
 Compensated Range-°C .....+24 to +80  
 Operating Range-°F .....-65 to +225  
 Operating Range-°C .....-54 to +107  
 Effect on Output-%/°F-MAX .....±0.002  
 Effect on Zero-% RO/°F-MAX .....±0.002

**ELECTRICAL**  
 Rated Output-mV/V (Nominal) .....2.0  
 (5330-60 thru 6K .....1.0)  
 Bridge Resistance-Ohm (Nominal) ....350  
 (5330-3K thru 100K .....700)  
 Excitation Voltage-MAX .....10 VDC

**MECHANICAL**  
 Calibration .....CW & CCW  
 Safe Overload-% CAP .....200

## DIMENSIONS

See Drawing	MODEL 5330 HOLLOW FLANGE TYPE				
	CAPACITY (lb-in)				
	60, 120, 240	600, 1200	3K, 6K	10K, 20K	50K, 100K
	inch	inch	inch	inch	inch
①	0.3125	0.3125	0.3125	0.625	0.625
②	2	2.5	3.375	4.375	7.00
③	2.5	3.25	4	5	8.5
④	2.125	2.125	2.125	3.5	3.5
⑤	0.203 thru 2 places	0.39 thru 2 places	0.406 thru 4 places	3/8-24 UNF 6 places	0.63 thru 8 places
⑥	.875 thru	1.375 thru	2.375 thru	3.375 thru	3.375 thru



Model 5330

# Model 5350 & 5355 Solid Flange Reaction Torque Transducer

Why the Interface model 5350 & 5355 Reaction Torque Transducer are the best in class:

- Threaded mounting holes
- Compact size
- Optional  $\pm 10$  VDC output available on 100 oz-in and above



TORQUE

## DIMENSIONS

See Drawing	SOLID FLANGE TYPE					
	5350	5355				
	CAPACITY (oz-in) 10, 20, 50, 100, 200	CAPACITY (lb-in)				
	10, 20, 50, 100, 200	10, 20, 50	100, 200, 500	1K, 2K, 5K	10K, 20K	50K, 100K
	inch	inch	inch	inch	inch	inch
①	1.50	2.00	2.75	4.50	6.00	8.00
②	1.00	1.375	2.000	3.875	5.375	7.375
③	0.875	1.250	1.875	3.750	5.25	7.250
④	.50	2.125	2.75	3.50	4.50	5.50
⑤	1.375	1.875	2.375	3.00	3.75	4.75
⑥	.0625	0.125	0.188	0.25	0.375	0.375
⑦	0.563	0.750	1.250	2.750	4.000	5.750
⑧	#4-40 UNC-2B 2 places	#10-32 UNF-2B 2 places	1/4-20 UNC-2B 4 places	3/8-24 UNF-2B 4 places	7/16-20 UNF-2B 8 places	5/8-18 UNF-2B
⑨	0°	0°	0°	0°	22.5°	15°
⑩	Conxall 7282-GPG-300	CF3102E-14S-6P	CF3102E-14S-6P	CF3102E-14S-6P	CF3102E-14S-6P	CF3102E-14S-6P

## SPECIFICATIONS

### ACCURACY – (MAX ERROR)

Nonlinearity-% FS ..... $\pm 0.1$   
 Hysteresis-% FS ..... $\pm 0.1$   
 Nonrepeatability-% ..... $\pm 0.05$

### TEMPERATURE

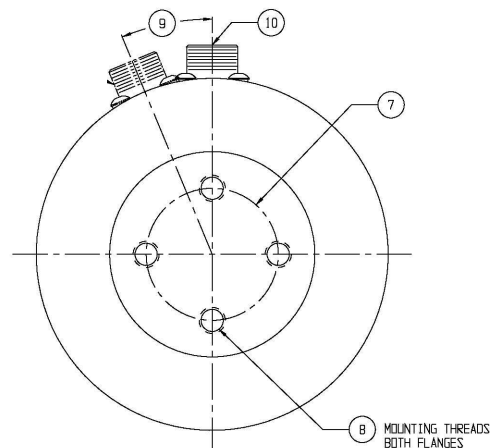
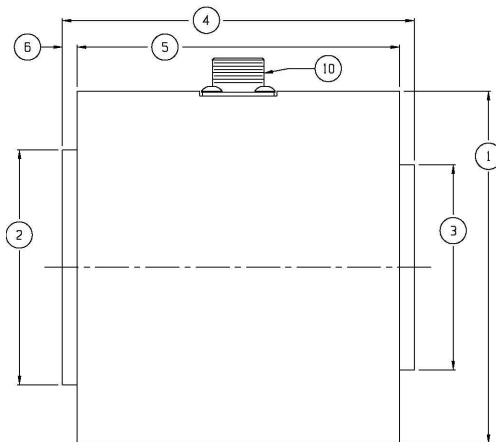
Compensated Range-°F ..... $\pm 75$  to  $\pm 175$   
 Compensated Range-°C ..... $+24$  to  $+80$   
 Operating Range-°F ..... $-65$  to  $+225$   
 Operating Range-°C ..... $-54$  to  $+107$   
 Effect on Output-%/°F-MAX ..... $\pm 0.002$   
 Effect on Zero-% RO/°F-MAX ..... $\pm 0.002$

### ELECTRICAL

Rated Output-mV/V (Nominal) .....2.0  
 (5350-10.....1.3)  
 Bridge Resistance-Ohm (Nominal) .....350  
 Excitation Voltage-MAX .....10 VDC

### MECHANICAL

Calibration .....CW & CCW  
 Safe Overload-% CAP .....200



\*Model 5350 & 5355

\*Amplified output available. Please consult factory for details.

# Model 5400 Series Flange Style Reaction Torque Transducer



5412 50K Reaction Torque Transducer

Why the Interface model 5400 Series Flange Style Reaction Torque Transducer is the best in class:

- Capacities from 226 to 565K Nm (2K to 500K lb-in)
- High torsional stiffness
- Flange mount
- Low deflection

TORQUE

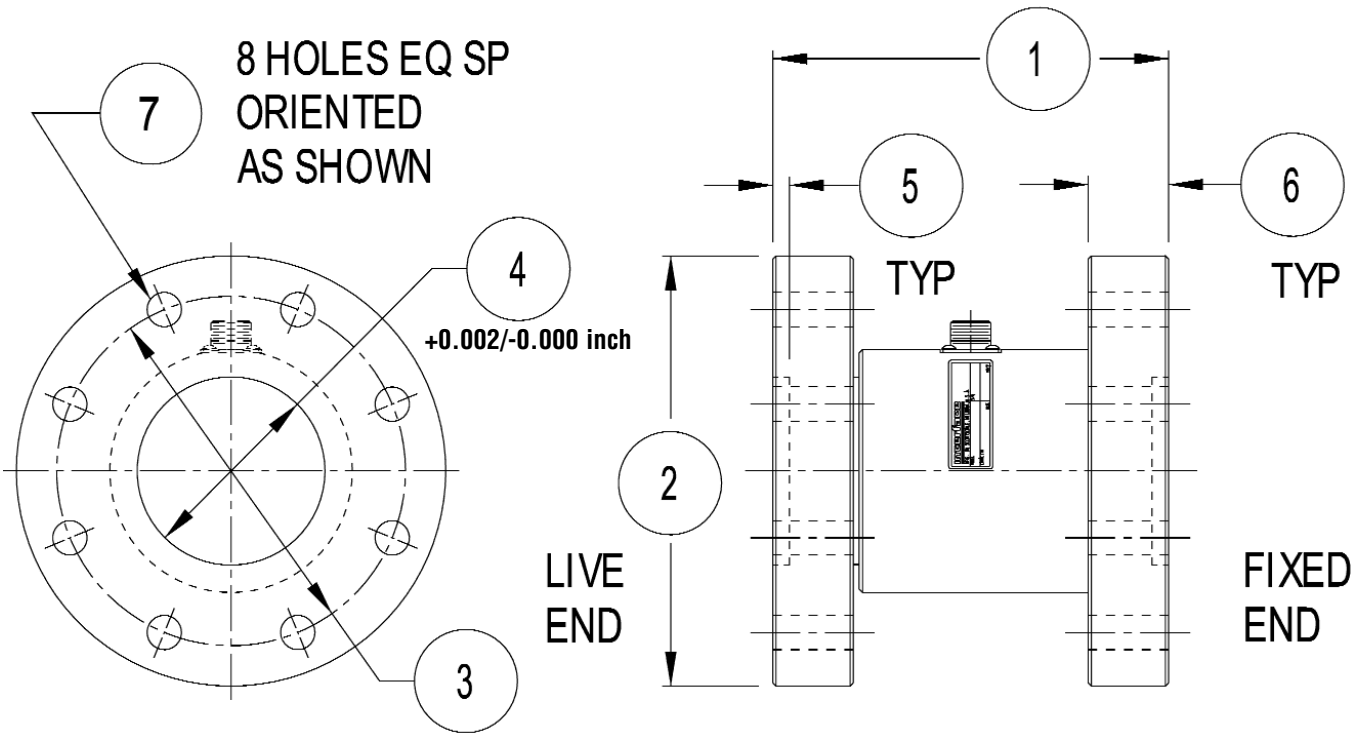
## SPECIFICATIONS

PARAMETERS	MODEL				
	5410	5411	5412	5413	5414
	CAPACITY				
Capacity (lb-in) Equivalent (Nm)	2K, 5K	10K, 20K	50K, 100K	200K	300K, 500K
	226, 565	1.13K, 2.26K	5.6K, 11K	23K	34K, 56K
<b>ACCURACY – (MAX ERROR)</b>					
Nonlinearity-% FS	±0.1	±0.1	±0.1	±0.1	±0.1
Combined Error-% FS	±0.1	±0.1	±0.1	±0.1	±0.1
Nonrepeatability-% RO	±0.02	±0.02	±0.02	±0.02	±0.02
<b>TEMPERATURE</b>					
Compensated Range-°F	+70 to +170	+70 to +170	+70 to +170	+70 to +170	+70 to +170
Compensated Range-°C	+21 to +77	+21 to +77	+21 to +77	+21 to +77	+21 to +77
Operating Range-°F	-65 to +200	-65 to +200	-65 to +200	-65 to +200	-65 to +200
Operating Range-°C	-54 to +93	-54 to +93	-54 to +93	-54 to +93	-54 to +93
Effect on Zero-%RO/°F – MAX	±0.002	±0.002	±0.002	±0.002	±0.002
Effect on Zero-%RO/°C – MAX	±0.004	±0.004	±0.004	±0.004	±0.004
Effect on Output-%/°F – MAX	±0.002	±0.002	±0.002	±0.002	±0.002
Effect on Output-%/°C – MAX	±0.004	±0.004	±0.004	±0.004	±0.004
<b>ELECTRICAL</b>					
Rated Output-mV/V (Nominal)	2.0	2.0	2.0	2.0	2.0
Excitation Voltage-VDC MAX	20	20	20	20	20
Bridge Resistance-Ohm (Nominal)	350	350	350	350	350
Electrical Connection	MS3102E-14S-5P	MS3102E-14S-5P	MS3102E-14S-5P	MS3102E-14S-5P	MS3102E-14S-5P
<b>MECHANICAL</b>					
Safe Overload-% CAP	±150	±150	±150	±150	±150
Deflection at Capacity/rad	.005	.004	.006, .005	.006	.006, .005
Overhung Moment-lb-in MAX	1K, 2K	5K, 10K,	24K, 50K	90K	150K, 200K
Shear-lb MAX	1.5K, 2K	4K, 6.5K	12K, 20K	30K	42K, 55K
Thrust-lb MAX	2K, 3K	6K, 10K	18K, 30K	40K	60K, 80K

5400 Series Flange Style Reaction Torque Transducer

**DIMENSIONS**

Model	5410		5411		5412		5413		5414	
Capacity (lb-in)	2K, 5K		10K, 20K		50K, 100K		200K		300K, 500K	
Equivalent (Nm)	226, 565		1.13K, 2.26K		5.6K, 11K		23K		34K, 56K	
	inch	mm	inch	mm	inch	mm	inch	mm	inch	mm
①	3.00	76.2	3.50	88.9	7.38	187	8.50	216	10.5	267
②	4.00	102	5.00	127	8.00	203	9.75	248	14.0	356
③	3.25	82.6	4.25	108	6.50	165	8.00	203	11.0	279
④	1.50	38.1	2.00	51	3.50	88.9	4.00	102	6.00	152
⑤	0.13	3.30	0.25	6.35	0.31	7.87	0.31	7.87	0.31	7.87
⑥	0.50	12.7	0.75	19.5	1.50	38.1	1.50	38.1	2.00	50.8
⑦	0.33	8.38	0.39	9.90	0.65	16.5	0.77	19.6	1.02	25.9



TORQUE

# Model TS11 Flange Style Reaction Torque Transducer

Why the Interface model TS11 Flange Style Reaction Torque Transducer is the best in class:

- Capacities from 10 to 20K Nm (88.5 to 177K lb-in)
- Compact
- Thru-hole design
- Threaded mounting holes



TS11 Flange Style Reaction Torque Transducer

## OPTIONS

100 % Control Signal (RCAL)

## SPECIFICATIONS

**ACCURACY – (MAX ERROR)**  
 Combined Error—% FS .....±0.1  
 Nonrepeatability—% .....±0.02

**TEMPERATURE**  
 Effect on Zero—% RO/°C .....±0.02  
 Effect on Output—%/°C .....±0.01  
 Rated Range—°C .....-5 to +45  
 Operating Range—°C .....-15 to +55

**ELECTRICAL**  
 Output—mV/V  
   10 Nm .....0.5  
   25 to 20K Nm.....1.0  
 Excitation Voltage-VDC MAX .....12  
 Bridge Resistance-Ohm .....350  
 Electrical Connection .....6 pin

**MECHANICAL**  
 Safe Overload—% RO .....150  
 Safe Overhung Moment—% FS .....50  
 Deflection at Capacity—rad .....0.003  
 Angular Deflection at Rated Torque-° .....<0.2  
 Cyclic Load Rating—% RO .....±70 peak  
 Material .....Stainless steel

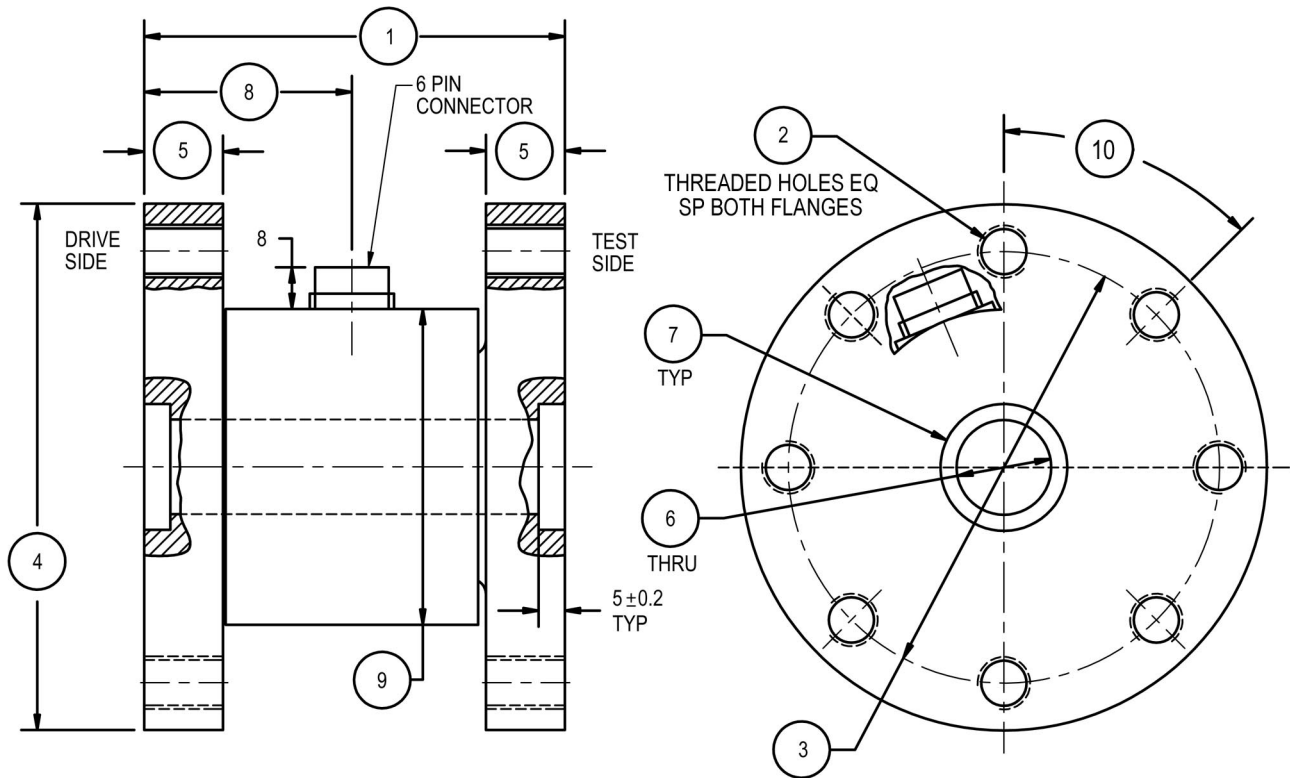
### ELECTRICAL CONNECTION

6-PIN TS12 ELECTRICAL CONNECTION	
Pin	Function
1	Excitation (-)
2	Excitation (+)
3	Shield
4	Signal (+)
5	Signal (GND)
6	Cal. Control (Option) Connect to Pin 2

TS11 Flange Style Reaction Torque Transducer - Capacities 10 to 20,000 Nm

**DIMENSIONS**

Capacity (Nm)	Nominal Torque									
	10, 25, 50, 100, 200		500, 1K		2K		5K		10K, 20K	
Equivalent (lb-in)	88.5, 221, 443, 885, 1.77K		4.43K, 8.85K		17K		44.3K		88.5K, 177K	
	inch	mm	inch	mm	inch	mm	inch	mm	inch	mm
①	2.56	65	3.15	80	3.94	100	3.94	100	4.88	124
②	M8, 6 places		M10, 8 places		M12, 12 places		M12, 12 places		M24, 8 places	
③	2.28	58	3.23	82	3.94	100	3.94	100	8.43	210
④	2.76	70	3.94	100	5.12	130	5.12	130	10.24	260
⑤	0.47	12	0.59	15	0.79	20	0.79	20	1.26	32
⑥	0.39	10	0.71	18	0.79	20	N/A	N/A	4.13	105
⑦	0.7874/ 0.7866	20 H7	0.7874/ 0.7866	20 H7	2.9528/ 2.9516	75 H7	2.9528/ 2.9516	75 H7	4.1139/ 4.1325	105 H7
⑧	1.30	33	1.56	39.5	1.77	45	1.77	45	2.66	67.5
⑨	1.77	45	2.36	60	3.15	80	3.15	80	5.71	145
⑩	60°		45°		30°		30°		45°	



Dimensions in mm

TORQUE

# Model TS12 Shaft Style Reaction Torque Transducer

Why the Interface model TS12 Shaft Style Reaction Torque Transducer is the best in class:

- Capacities from 0.005 to 20K Nm (0.04 to 177K lb-in)
- Stainless steel shafts
- Compact



TS12 Shaft Style Reaction Torque Transducer

TORQUE

## OPTIONS

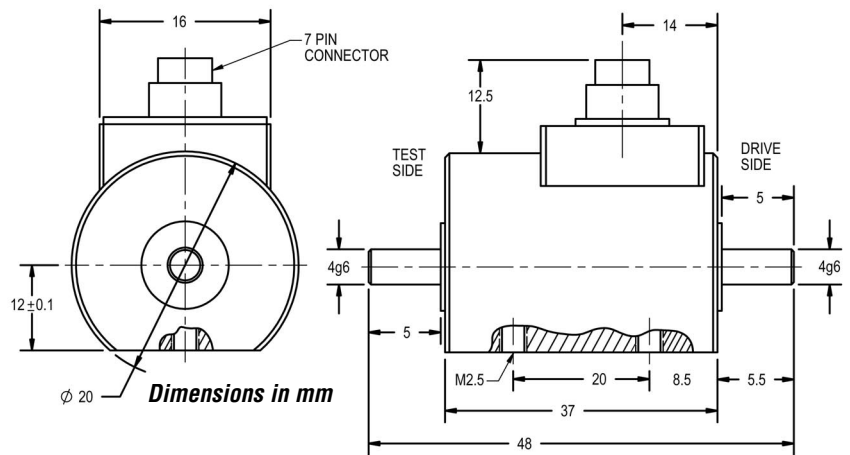
100 % Control Signal (RCAL)

TS12 Shaft Style Reaction Torque Transducer - Capacities 0.005, 0.01 & 0.02 Nm

## DIMENSIONS

Nominal Torque			
Capacity (Nm)	0.005	0.01	0.02
Equivalent (lb-in)	.044	.089	.177

See Drawing



## SPECIFICATIONS

**ACCURACY – (MAX ERROR)**  
 Combined Error-% FS .....±0.1  
 Nonrepeatability-% .....±0.02

**TEMPERATURE**  
 Effect on Zero-% RO/°C .....±0.02  
 Effect on Output-%/°C .....±0.01  
 Rated Range-°C .....-5 to +45  
 Operating Range-°C .....-15 to +55

**ELECTRICAL**  
 Output-mV/V  
 0.005 Nm to 0.1 Nm .....0.5  
 0.2 Nm to 5,000 Nm .....0.8  
 10K Nm to 20K Nm .....1.5  
 Excitation Voltage-VDC MAX .....12  
 Bridge Resistance-Ohm .....1,000  
 Electrical Connection .....6 or 7 pin

**MECHANICAL**  
 Safe Overload-% RO  
 0.005 Nm to 0.1 Nm .....300  
 0.2 Nm to 5K Nm .....200  
 10K Nm to 20K Nm .....150  
 Safe Overhung Moment-% FS .....50  
 Cyclic Load Rating-% RO  
 0.005 Nm to 0.1 Nm .....±80 peak  
 0.2 Nm to 20K Nm .....±70 peak  
 Shaft.....Stainless steel  
 Housing .....Aluminum

## ELECTRICAL CONNECTION

6-PIN TS12 ELECTRICAL CONNECTION	
Pin	Function
1	Excitation (-)
2	Excitation (+)
3	Shield
4	Signal (+)
5	Signal (GND)
6	Cal. Control (Option) Connect to Pin 2

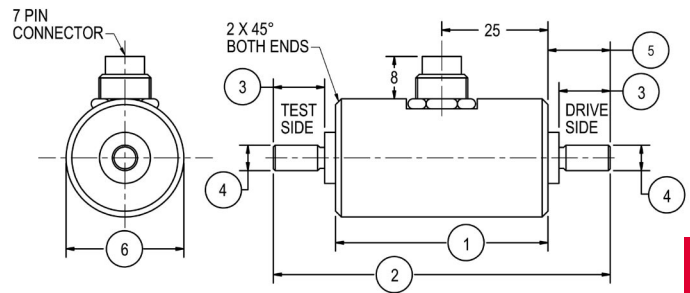
7-PIN TS12 ELECTRICAL CONNECTION	
Pin	Function
1	Excitation (-)
2	Excitation (+)
3	Shield
4	Signal (+)
5	Signal (GND)
6	Cal. Control (Option) Connect to Pin 2
7	NC



TS12 Shaft Style Reaction Torque Transducer - Capacities 0.03 to 15 Nm

**DIMENSIONS**

Nominal Torque						
Capacity (Nm)	0.03, 0.05		0.1, 0.2, 0.3, 0.5, 1, 2, 5		10, 15	
Equivalent (lb-in)	0.26, 0.44		0.85, 1.77, 2.66 4.43, 8.85, 17.7, 44.3		88.5, 133	
	inch	mm	inch	mm	inch	mm
①	1.89	48	1.89	48	1.89	48
②	2.56	65	3.35	85	3.35	85
③	0.28	7	0.67	17	0.67	17
④	0.2361/ 0.2357	6 g6	0.3148/ 0.3144	8 g6	0.3935/ 0.3931	10 g6
⑤	0.32	8	0.71	18	0.71	18
⑥	1.26	32	1.26	32	1.26	32

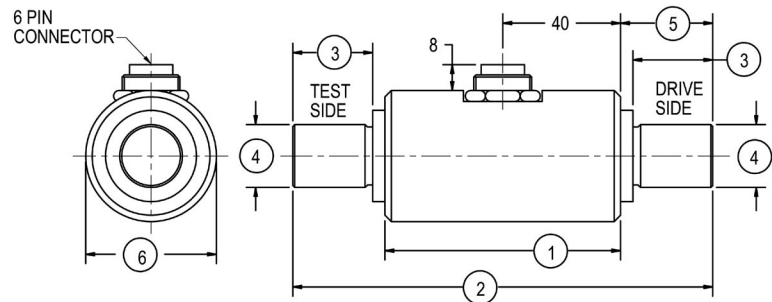


Dimensions in mm

TS12 Shaft Style Reaction Torque Transducer - Capacities 20 to 500 Nm

**DIMENSIONS**

Nominal Torque						
Capacity (Nm)	20, 30		50, 100		200, 500	
Equivalent (lb-in)	177, 265		443, 885		1.77K 4.43K	
	inch	mm	inch	mm	inch	mm
①	2.87	73	2.87	73	3.13	79.5
②	4.39	111.5	5.81	147.5	6.28	159.5
③	0.71	18	1.42	36	1.50	38
④	0.7087/ 0.7082	18 h6	0.7087/ 0.7082	18 h6	1.2598/ 1.2592	32 h6
⑤	0.75	19	1.46	37	1.58	40
⑥	2.01	51	2.01	51	2.60	66

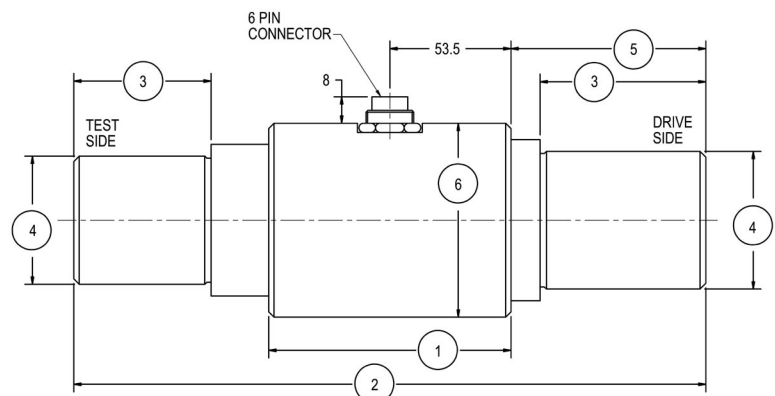


Dimensions in mm

TS12 Shaft Style Reaction Torque Transducer - Capacities 1,000 to 20,000 Nm

**DIMENSIONS**

Nominal Torque						
Capacity (Nm)	1K		2K, 5K		10K, 20K	
Equivalent (lb-in)	8.85K		17K, 44.3K		85.5K 177K	
	inch	mm	inch	mm	inch	mm
①	4.21	107	5.32	135	5.51	140
②	10.32	262	14.84	377	18.50	470
③	2.28	58	4.33	110	4.72	120
④	1.9685/ 1.9675	50 h7	2.7559/ 2.7549	70 h7	4.3307/ 4.3293	110 h7
⑤	2.60	66	4.96	126	6.30	160
⑥	3.82	97	4.41	112	6.81	173



Dimensions in mm

# Model TS14 Square Drive Reaction Torque Transducer

Why the Interface model TS14 Square Drive Reaction Torque Transducer is the best in class:

- Capacities from 2 to 5K Nm (17.7 to 44.2 lbf-in)
- Simple operation - no moving parts
- Useful for auditing fastener torques
- Fits standard socket wrenches



TS14 Square Drive Reaction Torque Transducer

TORQUE

## OPTIONS

100 % Control Signal (RCAL)  
 Combined Error 0.1% FS

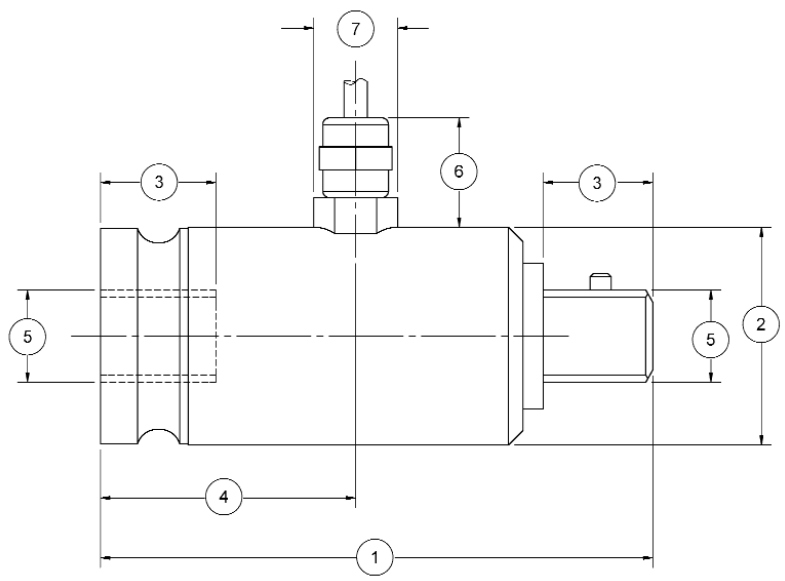
## SPECIFICATIONS

**ACCURACY – (MAX ERROR)**  
 Combined Error-% FS .....±0.2  
 Nonrepeatability-% .....±0.02

**TEMPERATURE**  
 Effect on Zero-% RO/°C .....±0.02  
 Effect on Output-%/°C .....±0.01  
 Rated Range-°C .....-5 to +45  
 Operating Range-°C .....-15 to +55

**ELECTRICAL**  
 Output-mV/V .....1  
 Excitation Voltage-VDC MAX .....12  
 Bridge Resistance-Ohm .....350  
 Cable Length-m .....3

**MECHANICAL**  
 Safe Overload-% RO .....150  
 Cyclic Load Rating-% RO .....±70 peak



TS14 Square Drive Reaction Torque Transducer - Capacities 2 to 5,000 Nm

## DIMENSIONS

Nominal Torque												
Capacity (Nm)	2, 5, 12		25, 63		100, 160		250, 500		1K		2K, 5K	
Equivalent (lb-in)	17.7, 44.3, 106		221, 560		885, 1.41K		2.2K, 4.42K		8.85K		17.7K, 44.3K	
	inch	mm	inch	mm	inch	mm	inch	mm	inch	mm	inch	mm
①	2.52	64	2.80	71	2.99	76	3.94	100	5.20	132	9.84	250
②	0.59	15	1.18	30	1.18	30	1.93	49	1.93	49	3.94	100
③	0.28	7.2	0.41	10.4	0.59	15.1	0.89	22.6	1.08	27.4	1.55	39.3
④	0.89	22.7	1.36	34.6	1.38	35.1	1.81	46	2.36	60	4.72	120
⑤	1/4"	6.35	3/8"	9.53	1/2"	12.7	3/4"	19.05	1"	25.4	1 1/2"	38.1
⑥	0.39	10	0.59	15	0.59	15	0.59	15	0.59	15	2.17	55
⑦	0.39	10	0.39	10	0.39	10	0.39	10	0.39	10	0.75	19

# INTERFACE FORCE & TORQUE CALIBRATION LAB

## Why Interface

- Interface Gold Standard™ Calibration Software used for data collection and analysis
- Highly trained and experienced calibration staff
- Test data permanently archived
- Calibration of all manufacturers' load cells
- System calibrations with any combination of load cells/instrumentation
- Dependable 5-day turnaround (2-day expedited service available)
- Customer contact within 24 hours after receiving parts
- Industries most complete calibration certificate

## FORCE



- Direct traceability to NIST
- A2LA accredited force lab
- 50g to 1 million lbf capacity
- Seven hydraulic systems
- Six deadweight systems
- Only NIST certified Gold Standard™ Load Cells used as reference standards

## Services

### Calibration

- MIL-STD-45662A, ANSI/NCSL Z540-1
- ASTM E74, Gold Standard™
- Custom calibrations to fit customer needs
- Individual load cell & system calibrations
- Hydraulic force systems perform tension and compression calibrations with one setup
- Custom adaptors are made in house to customer specifications, which allows us to simulate real world applications

### Repair

- Dependable seven day (or less) turnaround for repair services (includes calibration)
- Connector replacement on any manufacturers' load cell (if available)
- Highly trained & experienced repair technicians
- Complete load cell evaluation prior to repair and calibration free of charge

## TORQUE



- Traceable to National Metrology Institutes
- Capacities to 50K lb-in
- Hydraulic & deadweight systems

**CONTACT: Repair/Recal Department • 800-947-5598 x152**

# Model TS15 Square Flange Style Reaction Torque Transducer

Why the Interface model TS15 Square Flange Style Reaction Torque Transducer is the best in class:

- Capacities from 2 to 2K Nm (17.7 to 17.7K lbf-in)
- Convenient flange mounting
- Useful for checking torque wrenches



TS15 Square Flange Style Reaction Torque Transducer

## OPTIONS

100 % Control Signal (RCAL)  
 Combined Error 0.1% FS

## SPECIFICATIONS

**ACCURACY – (MAX ERROR)**  
 Combined Error—% FS .....±0.2  
 Nonrepeatability—% .....±0.02

**TEMPERATURE**  
 Effect on Zero—% RO/°C .....±0.02  
 Effect on Output—%/°C .....±0.01  
 Rated Range—°C .....-5 to +45  
 Operating Range—°C .....-15 to +55

**ELECTRICAL**  
 Output—mV/V .....1  
 Excitation Voltage—VDC MAX .....12  
 Bridge Resistance—Ohm .....350  
 Electrical Connection .....6-pin binder

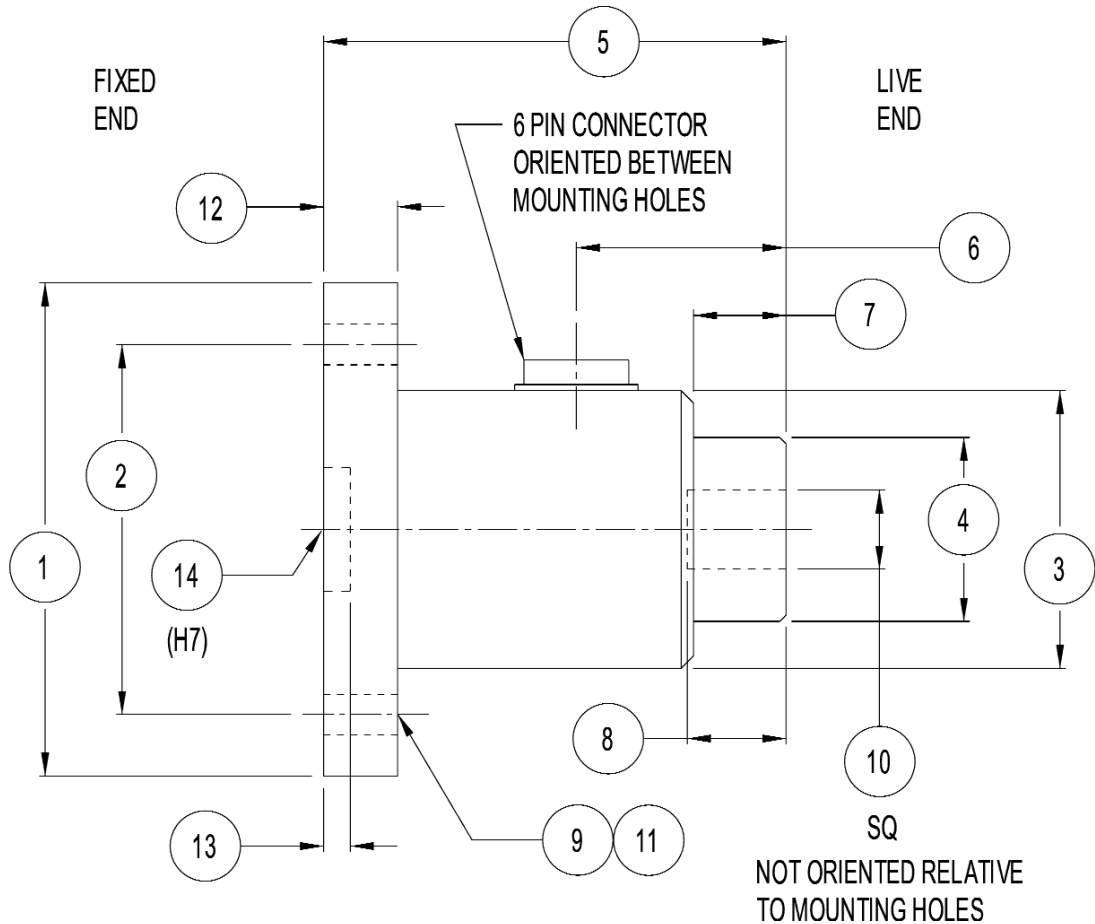
**MECHANICAL**  
 Safe Overload—% RO .....150  
 Angular Deflection @ Rated Torque° ..<0.2  
 Cyclic Load Rating—% RO .....±70 peak

TS15 Square Flange Style Reaction Torque Transducer - Capacities 2 to 5,000 Nm

**DIMENSIONS**

Nominal Torque														
Capacity (Nm)	2, 5, 12		25, 63		160		500		1K		2K,		3K, 5K	
Equivalent (lb-in)	17.7, 44.3, 106		221, 1K		1.41K		4.43K		8.85K		17.7K,		26.6K, 44.3K	
	inch	mm	inch	mm	inch	mm	inch	mm	inch	mm	inch	mm	inch	mm
①	2.76	70	2.76	70	3.15	80	3.94	100	4.72	120	5.71	145	7.87	200
②	1.97	50	1.97	50	2.36	60	3.15	80	3.94	100	4.72	120	6.69	170
③	1.53	39	1.53	39	1.77	45	2.32	59	2.72	69	3.54	90	4.92	125
④	0.87	22	0.87	22	1.17	29.8	1.73	44	2.12	54	2.99	76	3.74	95
⑤	2.52	64	2.52	64	2.95	75	3.46	88	3.70	94	4.90	124.5	5.10	129.5
⑥	1.10	28	1.10	28	1.34	34	1.69	43	1.93	49	2.74	69.5	2.85	72.5
⑦	0.12	3	0.12	3	0.59	15	0.12	3	0.20	5	0.20	5	0.20	5
⑧	0.31	8	0.45	11.5	0.63	16	0.94	24	1.13	28.6	1.63	41.5	1.63	41.5
⑨	0.22	5.5	0.22	5.5	0.26	6.6	0.35	9	0.43	11	0.51	13	0.67	17
⑩	1/4"	6.35	3/8"	9.53	1/2"	12.7	3/4"	19.05	1"	25.4	1 1/2"	38.1	1 1/2"	38.1
⑪	4x90°		4x90°		4x90°		6x60°		8x45°		8x45°		8x45°	
⑫	0.39	10	0.39	10	0.47	12	0.59	15	0.59	15	0.79	20	0.98	25
⑬	45°		45°		45°		30°		22.5°		22.5°		22.5°	
⑭	0.12	3	0.12	3	0.12	3	0.12	3	0.12	3	0.12	3	0.16	4
⑮	0.79	20	0.79	20	0.79	20	0.79	20	0.79	20	0.79	20	4.13	105

TORQUE



# Model TS16 Square Flange Style Reaction Torque Transducer

Why the Interface model TS16 Square Flange Style Reaction Torque Transducer is the best in class:

- Capacities from 2 to 2K Nm (17.7 to 17.7K lbf-in)
- Convenient flange mounting
- Accepts standard sockets

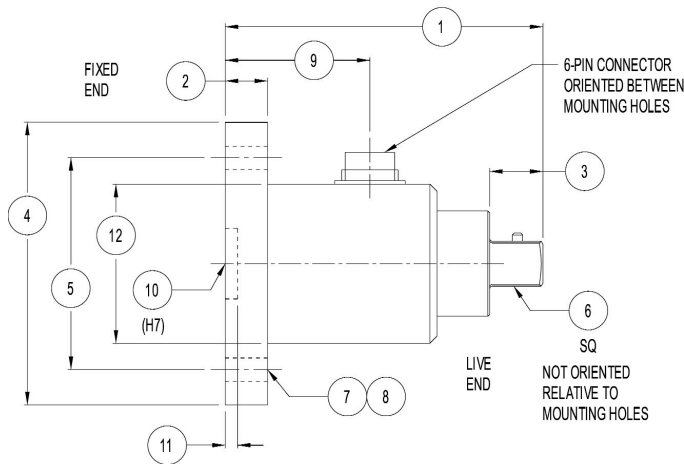


TS16 Square Flange Style Reaction Torque Transducer

TORQUE

## OPTIONS

100 % Control Signal (RCAL)  
 Combined Error 0.1% FS



## SPECIFICATIONS

- ACCURACY – (MAX ERROR)**  
 Combined Error-% FS .....±0.2  
 Nonrepeatability-% .....±0.02
- TEMPERATURE**  
 Effect on Zero-% RO/°C .....±0.02  
 Effect on Output-%/°C .....±0.01  
 Rated Range-°C .....-5 to +45  
 Operating Range-°C .....-15 to +55
- ELECTRICAL**  
 Output-mV/V .....1  
 Excitation Voltage-VDC MAX .....12  
 Bridge Resistance-Ohm .....350  
 Electrical Connection .....6-pin binder
- MECHANICAL**  
 Safe Overload-% RO .....150  
 Angular Deflection @ Rated Torque° ..<0.2  
 Cyclic Load Rating-% RO .....±70 peak

TS16 Square Flange Style Reaction Torque Transducer - Capacities 2 to 2,000 Nm

## DIMENSIONS

Nominal Torque												
Capacity (Nm)	2, 5, 12		25, 63		160		500		1K		2K	
Equivalent (lb-in)	17.7, 44.3, 106		221, 1K		1.41K		4.43K		8.85K		17.7K	
	inch	mm	inch	mm	inch	mm	inch	mm	inch	mm	inch	mm
①	2.76	70	2.76	70	3.54	90	4.72	120	5.51	140	7.09	180
②	0.39	10	0.39	10	0.47	12	0.59	15	0.59	15	0.79	20
③	0.28	7.2	0.41	10.4	0.59	15.1	0.89	22.6	1.08	27.4	1.55	39.3
④	2.76	70	2.76	70	3.15	80	3.94	100	4.72	120	5.71	145
⑤	1.97	50	1.97	50	2.36	60	3.15	80	3.94	100	4.72	120
⑥	1/4"	6.35	3/8"	9.53	1/2"	12.7	3/4"	19.05	1"	25.4	1 1/2"	38.1
⑦	4x90°		4x90°		4x90°		6x60°		8x45°		8x45°	
⑧	0.22	5.5	0.22	5.5	0.26	6.6	0.35	9	0.43	11	0.51	13
⑨	1.42	36	1.42	36	1.61	41	2.36	60	2.76	70	3.23	82
⑩	1.53	39	1.57	40	1.77	45	1.93	49	2.32	59	2.76	70
⑪	0.12	3	0.12	3	0.12	3	0.12	3	0.12	3	0.12	3

# Model TS17 Hex Drive Reaction Torque Transducer

Why the Interface model TS17 Hex Drive Reaction Torque Transducer is the best in class:

- Capacities from 0.2 to 20 Nm (1.77 to 177 lb-in)
- Simple operation - no moving parts
- Useful for auditing fastener torques
- Quick-connect chuck



TS17 Hex Drive Reaction Torque Transducer

## OPTIONS

100 % Control Signal (RCAL)

**TS17 Hex Drive Reaction Torque Transducer -**  
Capacities 0.2 to 20 Nm

## DIMENSIONS

Nominal Torque							
Capacity (Nm)	0.2	0.5	1	2	5	10	20
Equivalent (lb-in)	1.77	4.43	8.85	17.7	44.3	88.5	177
<b>See Drawing</b>							

## SPECIFICATIONS

### ACCURACY – (MAX ERROR)

Combined Error-% FS .....±0.1

Nonrepeatability-% .....±0.05

### TEMPERATURE

Effect on Zero-% RO/°C .....±0.02

Effect on Output-%/°C .....±0.01

Rated Range-°C .....+5 to +50

Operating Range-°C .....-10 to +60

### ELECTRICAL

Output-mV/V .....1 (0.2-5 Nm),  
2 (10 & 20 Nm)

Excitation Voltage-VDC MAX .....12

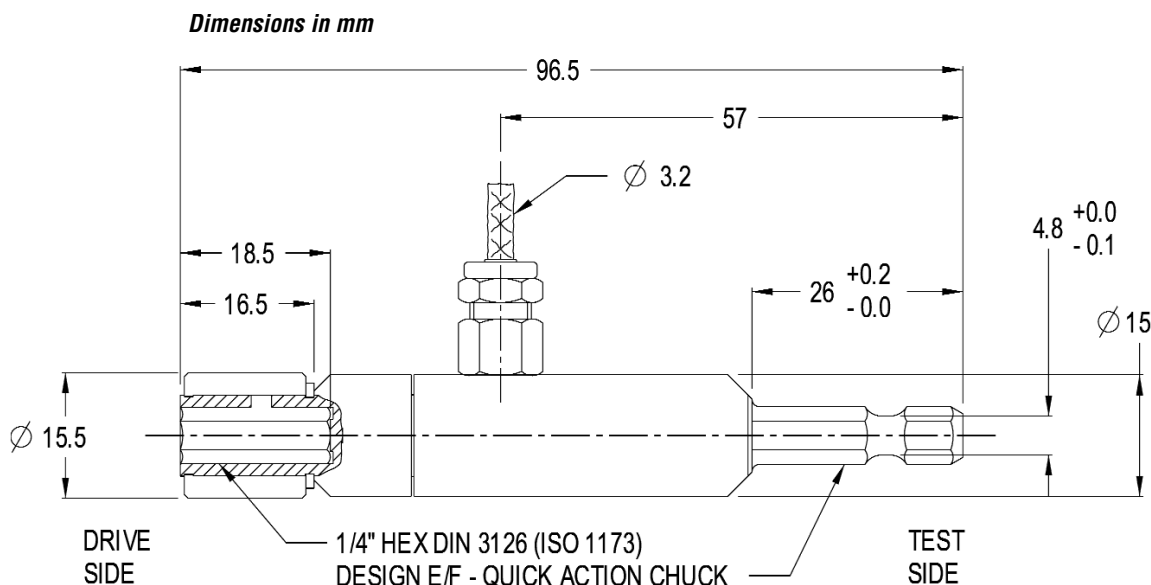
Bridge Resistance-Ohm .....350

Cable Length-m .....3

### MECHANICAL

Safe Overload-% RO .....130

Cyclic Load Rating-% RO .....±70 peak



# Model TS18 Shaft to Flange Style Reaction Torque Transducer



TS18 Shaft to Flange Style Reaction Torque Transducer

Why the Interface model TS18 Shaft to Flange Style Torque Transducer is the best in class:

- Capacities from 5 to 5K Nm (44.3 to 44.3K lbf-in)
- Keyed shaft per DIN 6885.1
- Convenient flange mounting

TORQUE

TS18 Shaft to Flange Style Reaction Torque Transducer - Capacities 5 to 1,000 Nm

## OPTIONS

100 % Control Signal (RCAL)  
Combined Error 0.1% FS

## SPECIFICATIONS

### ACCURACY – (MAX ERROR)

Combined Error-% FS .....±0.2  
Nonrepeatability-% .....±0.02

### TEMPERATURE

Effect on Zero-% RO/°C .....±0.02  
Effect on Output-%/°C .....±0.01  
Rated Range-°C .....-5 to +45  
Operating Range-°C .....-15 to +55

### ELECTRICAL

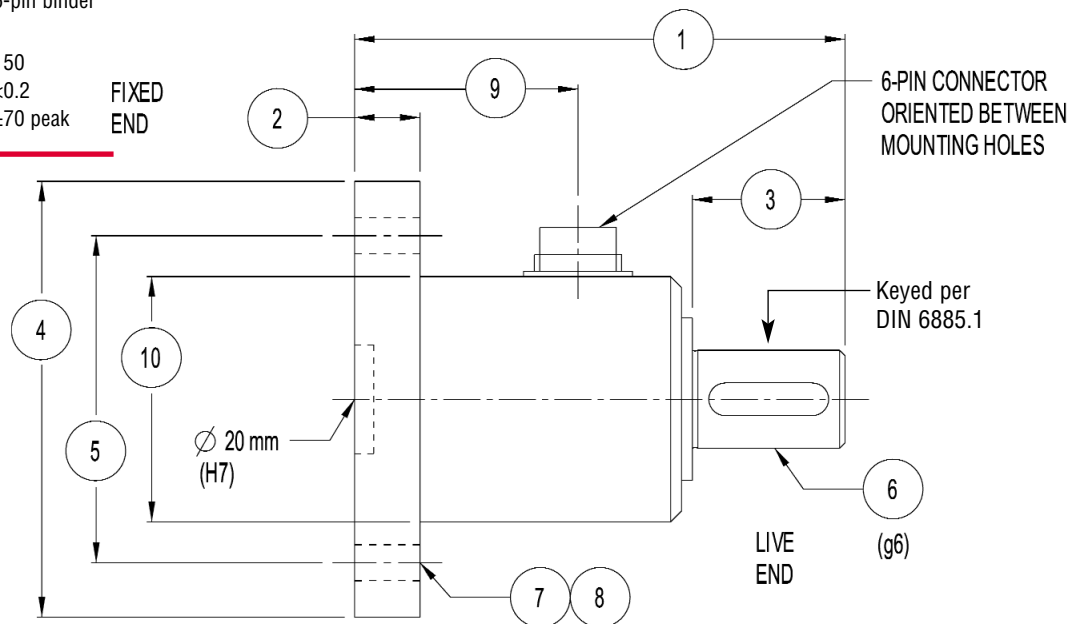
Output-mV/V .....1  
Excitation Voltage-VDC MAX .....12  
Bridge Resistance-Ohm .....350  
Electrical Connection .....6-pin binder

### MECHANICAL

Safe Overload-% RO .....150  
Angular Deflection @ Rated Torque° ..<.02  
Cyclic Load Rating-% RO .....±70 peak

## DIMENSIONS

Nominal Torque								
Capacity (Nm)	5, 10, 25		50, 100		200,500		1K	
Equivalent (lb-in)	44.3, 88.5, 221		443, 885		1.77K, 4.43K		8.85K	
	inch	mm	inch	mm	inch	mm	inch	mm
①	2.75	70	3.54	90	4.72	120	5.51	140
②	0.39	10	0.47	12	0.59	15	0.59	15
③	0.59	15	1.10	28	1.97	50	2.75	70
④	2.75	70	3.15	80	3.93	100	4.72	120
⑤	1.97	50	2.36	60	3.15	80	3.93	100
⑥	0.47	12	0.71	18	1.18	30	1.57	40
⑦	4x90°		4x90°		6x60°		6x60°	
⑧	0.22	5.5	0.26	6.6	0.35	9	0.43	11
⑨	1.42	36	1.61	41	1.69	43	1.61	41
⑩	1.57	40	1.77	45	2.28	58	2.56	65





# Model TR1 Rod End Reaction Torque Transducer



Why the Interface model TR1 Rod End Reaction Torque Transducer is the best in class:

- Capacities from 25 oz-in to 1K lb-in (0.18 to 110 Nm)
- Stainless steel
- Small size
- Heavy-duty mounting

## SPECIFICATIONS

### ACCURACY – (MAX ERROR)

Accuracy Class-%FS .....	±0.2
Nonlinearity-% FS .....	±0.15
Hysteresis-% FS .....	±0.10
Nonrepeatability-% RO .....	±0.03

### TEMPERATURE

Operating Range-°F .....	-65 to +225
Operating Range-°C .....	-55 to +107
Compensated Range-°F .....	+60 to +160
Compensated Range-°C .....	+16 to +71
Thermal Effects:	
Zero-% FS/°F .....	±0.005
Span-%/°F .....	±0.005

### ELECTRICAL

Output-mV/V .....	2
Excitation Voltage-VDC .....	10
Excitation Voltage-V MAX .....	15
Input Resistance-Ohm .....	350 min
Output Resistance-Ohm .....	350 min

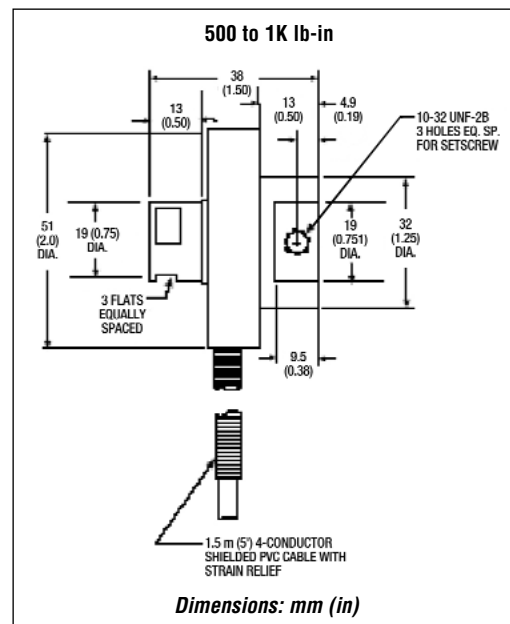
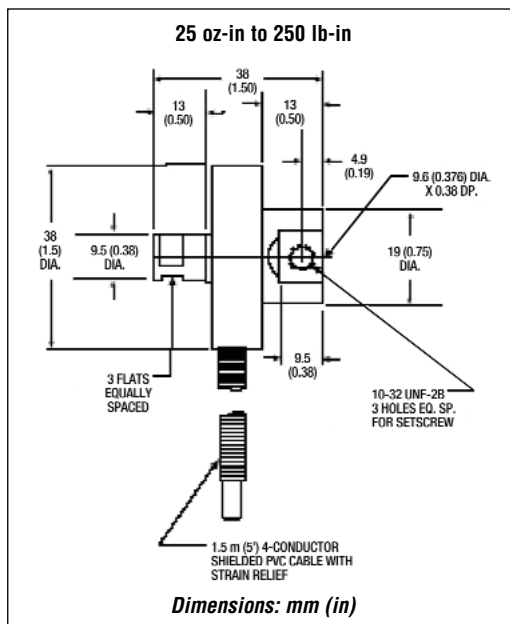
### MECHANICAL

Material .....	Stainless steel
----------------	-----------------

## TR1 Rod End Reaction Torque Transducer Capacities:

0-25 oz-in	0-25 in-lb
0-100 oz-in	0-50 in-lb
0-150 oz-in	0-100 in-lb
0-200 oz-in	0-250 in-lb
	0-500 in-lb
	0-1K in-lb

## DIMENSIONS



# Model TS19 Short Flange Style Reaction Torque Transducer

Why the Interface model TS19 Short Flange Style Reaction Torque Transducer is the best in class:

- Capacities from 100 to 5K Nm (885 to 44.3K lbf-in)
- Short, rugged, compact design
- Both ends with flange



TS19 Short Flange Style Reaction Torque Transducer

## OPTIONS

100 % Control Signal (RCAL)

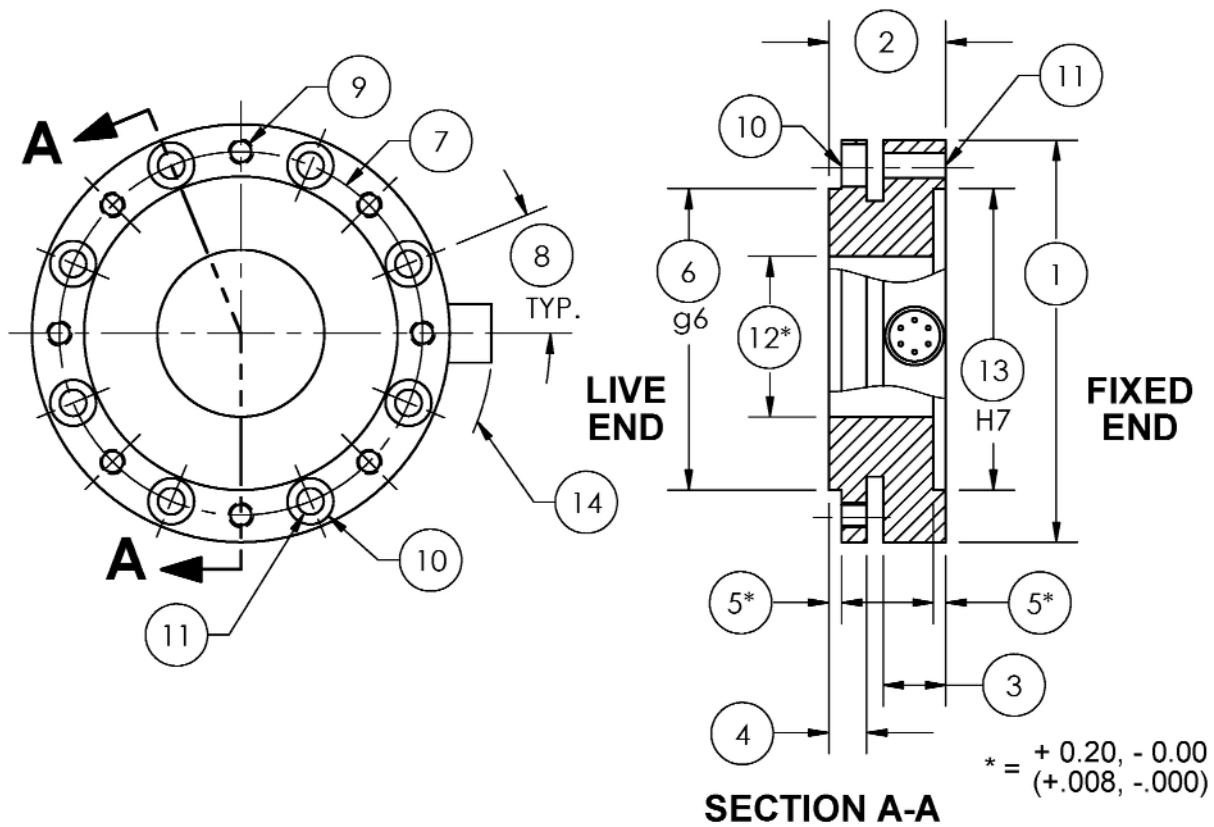
## SPECIFICATIONS

<b>ACCURACY – (MAX ERROR)</b>	
Combined Error–% FS .....	±0.1
Nonrepeatability–% .....	±0.02
<b>TEMPERATURE</b>	
Effect on Zero–% RO/°C .....	±0.02
Effect on Output–%/°C .....	±0.01
Rated Range–°C .....	-5 to +45
Operating Range–°C .....	-15 to +55
<b>ELECTRICAL</b>	
Output–mV/V .....	1.5
Excitation Voltage–VDC MAX .....	12
Bridge Resistance–Ohm .....	350
Electrical Connection .....	6 pin LEMO ERA 1S 306 CLL
<b>MECHANICAL</b>	
Safe Overload–% RO .....	150
Safe Overhung Moment–% FS .....	50
Cyclic Load Rating–% RO .....	±70 peak
Material .....	Stainless steel

**Model TS19 Short Flange Style Reaction Torque Transducer-**  
Capacities 100 to 5K Nm

**DIMENSIONS**

Nominal Torque						
Capacity (Nm)	100		200, 500, 1K, 2K		5K	
Equivalent (lb-in)	885		1.77K, 4.43K, 8.85K, 17K		44.3K	
	inch	mm	inch	mm	inch	mm
①	3.94	100	6.14	156	9.37	238
②	1.10	28	1.71	43.5	2.64	67
③	0.61	15.5	0.81	20.5	1.12	28.5
④	0.41	10.5	0.83	21	1.44	36.5
⑤	0.12	3	0.12	3	0.12	3
⑥	2.9524/ 2.9516	75 g6	4.3302/ 4.3294	110 g6	6.8498/ 6.8489	174 g6
⑦	3.43	87	5.24	133	8.11	206
⑧	22.5°		22.5°		22.5°	
⑨	8xM6		8xM12		8xM18	
⑩	0.43	11	0.89	20	1.18	30
⑪	0.25	6.4	0.51	13	0.75	19
⑫	1.58	40.2	1.61	41	3.11	79
⑬	2.9539/ 2.9528	75 H7	4.3321/ 4.3307	110 H7	6.8520/ 6.8504	174 H7
⑭	0.39	10	0.39	10	0.39	10



TORQUE

# Model 500 In-Line Signal Conditioner

- DC powered
- $\pm 5$  VDC or 4-20 mA
- Small size
- Ultra-stable electronics



INSTRUMENTATION

	<b>500 Analog Output Signal Conditioner</b>
<b>POWER</b>	12-24 VDC
<b>EXCITATION</b>	
Voltage	5 or 10 VDC
Current	30 mA
<b>OUTPUT</b>	$\pm 5$ VDC Bipolar and 4-20 mA Unipolar
<b>PERFORMANCE</b>	
Input Range, Nominal	10, 20, 30, or 40 mV
Dynamic Response	1000 Hz
Span Adjustment Range	$\pm 10\%$
Zero Adjustment Range	$\pm 1.4$ mV
Operating Temperature	32°F to 158°F 0°C to 70°C
<b>ENVIRONMENTAL</b>	
Size	2.6 in X 1.7 in X 0.85 in

## ACCESSORIES

Terminal strip adaptors (to fan out connector wiring to a screw terminal strip)

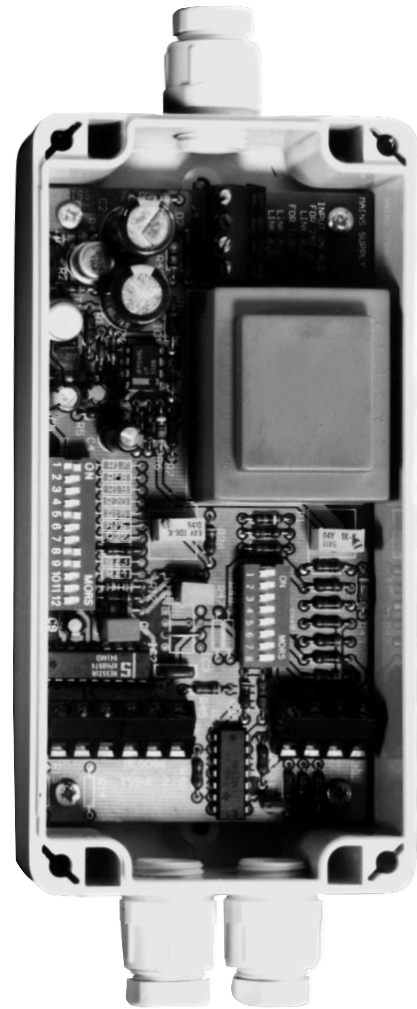
TSA-101 (to load cell)

TSA-102 (to system wiring)

# Model SGA AC/DC Powered Signal Conditioner



- User selectable analog output  $\pm 10V$ ,  $\pm 5V$ , 0-10V, 0-5V, 0-20 mA, 4-20 mA
- 110 VAC, 220 VAC OR 18-24 VDC power
- Switch selectable filtering 1 Hz to 5 kHz
- Single channel powers up to 4 transducers
- Selectable full scale input range 0.06 to 30 mV/V
- Switch selectable offset  $\pm 70\%$  FS
- Sealed ABS enclosure



## SPECIFICATIONS

### POWER

AC .....	110 VAC 60 Hz or 220 VAC 50 Hz
DC .....	18-24 VDC

### EXCITATION

Voltage .....	10 VDC $\pm 5\%$
Current .....	118 mA

### PERFORMANCE

Output .....	$\pm 10V$ , $\pm 5V$ Bipolar 0-5V, 0-10V Unipolar 0-20 mA, 4-20 mA
--------------	--

#### Unipolar

Input Range .....	$\pm 0.06$ to $\pm 30$ mV/V Switch selectable
-------------------	--

Max Bandwidth .....	6 kHz
---------------------	-------

Filter .....	1 Hz to 5 kHz Switch selectable
--------------	------------------------------------

Offset .....	$\pm 70\%$ FS Course and fine adjust
--------------	---

Nonlinearity .....	0.03% FS
--------------------	----------

Span Temp. Coefficient .....	0.004%/°F Max
------------------------------	---------------

Zero Temp. Coefficient .....	0.5 $\mu V$ /°F Max
------------------------------	---------------------

### ENVIRONMENTAL

Operating Temp. ....	+32°F to +122°F
----------------------	-----------------

Dimensions .....	6.3 X 3.1 X 2.2 in
------------------	--------------------

Enclosure .....	Sealed ABS case, Compression cable seals
-----------------	---

## ACCESSORIES

AC Power Cord (PWRCRD-SGA-110)

# Model DMA DIN Rail Mount Signal Conditioner

- User selectable analog output  $\pm 10V$ ,  $\pm 5V$ , 4-20 mA
- 10-28 VDC power
- Selectable full scale input range 5 to 50 mV
- DIN Rail Mountable



INSTRUMENTATION

**Model DMA**  
**DIN Rail Mount Amplifier**  
 for strain gage transducer input

Terminal

- 1 Ground
- 2 Vsupply (10-28 VDC)
- 3 - Excitation
- 4 + Excitation
- 5 Iout (4-20 mA)
- 6 Vout ( $\pm 5$  or  $\pm 10$  V)
- 7 - Signal
- 8 + Signal

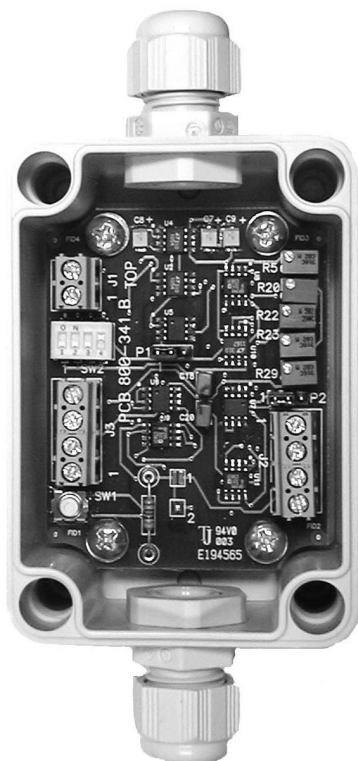
**interface**  
 ADVANCED FORCE MEASUREMENT  
 Scottsdale, AZ 85260 USA  
 480-948-5555 FAX 480-948-1924  
 www.interfaceforce.com

## SPECIFICATIONS

<b>POWER</b>	
DC .....	10-28 VDC
<b>EXCITATION</b>	
Voltage .....	5 or 10 VDC
Current .....	30 mA Max
<b>PERFORMANCE</b>	
Output 1 .....	$\pm 5V$ or $\pm 10V$ Full Scale
	Bipolar, jumper selectable
Output 2 .....	4-20 mA Full Scale
Unipolar	
Input Range.....	5 to 50 mV FS
	coarse and fine adjust
Dynamic Response .....	DC to 1000 Hz
Zero Offset Range .....	$\pm 50\%$ FS Output
	Course and fine adjust
Nonlinearity .....	0.01% FS
Span Temp. Coefficient .....	0.004%/°F Max
Zero Temp. Coefficient.....	0.5 $\mu V/^\circ F$ Max
<b>ENVIRONMENTAL</b>	
Operating Temp. ....	+32°F to +158°F
Dimensions .....	0.70 X 3.90 X 2.30 in
Mounting .....	35mm DIN Rail

# Model DCA Vehicle Compatible Signal Conditioner

- 10-28 VDC power
- User selectable analog output  $\pm 10V$ ,  $\pm 5V$  or 4-20 mA
- Small size
- NEMA 4X enclosure
- DC to 100 Hz
- Ideal for battery powered applications



## SPECIFICATIONS

### EXCITATION

Voltage ..... 5 or 10 VDC  
 Current ..... 30 mA Max

### PERFORMANCE

Output 1 .....  $\pm 5V$  or  $\pm 10V$  Full Scale  
 Output 2 ..... 4-20 mA

Full Scale Unipolar  
 Input Range ..... 5 to 50 mV FS  
 Dynamic Response ..... DC to 100 Hz  
 Zero Offset Range .....  $\pm 50\%$  FS Output  
 Coarse and fine adjust  
 Nonlinearity ..... 0.01% FS

### ENVIRONMENTAL

Operating Temp .....  $32^{\circ}F$  to  $+158^{\circ}F$   
 Dimensions ..... 2.56 X 3.70 X 2.24 in

### POWER

DC ..... 10-28 VDC

# Interface Amplified Load Cells

## Why the Interface Amplified Load Cells are the best in class:

- High level voltage or current output
- Increased signal to noise ratio
- 2-wire 4-20
- Zero and span adjustment
- 3-wire 4-20,  $\pm 5$  or  $\pm 10$  VDC
- Internal shunt calibration
- Bipolar or unipolar

In addition to our many external signal conditioning options, Interface also offers load cells with internal amplifiers. Benefits of an internal amplifier include increased signal to noise ratio, fewer components to troubleshoot and high output directly from the load cell package. Both a 2-wire and 3-wire version are available. Each is reverse voltage protected to prevent damage from accidental mis-wiring. Common features include shunt calibration and pots for zero and span adjustment. In standard configuration the pots are protected by removable screw caps but by request can be sealed at the factory, preventing field adjustment.

INSTRUMENTATION

The 2-wire amplifier is a 4-20 mA loop powered device. Featured in our model 2404 series cell, the 2-wire amplifier is suitable for process control and rugged industrial use. The 2404 series is an environmentally sealed Stainless Steel load cell based on our popular 2400 series. Output is either 4-20 mA compression, 4-20 mA tension, or 12 mA  $\pm 8$  mA tension & compression. O-ring seals protect the pots. Internal shunt calibration is optional. Supply voltage is 9-28 VDC.



The 3-wire amplifier is available as an option on our model 1200 series Low Profile load cells capacities from 300 to 1 million lbf. Configured as a factory add-on option, the 3-wire amplifier can be added to any of our stocked Low Profile load cells. Powered between 11 and 28 VDC, the 3-wire amplifier is suitable for vehicle or battery powered applications. Available outputs are  $\pm 5$  VDC,  $\pm 10$ VDC, 4-20 mA or 12  $\pm 8$  mA. For current output maximum load resistance is 500 ohms. A precision internal shunt resistor is included for easy field adjustment.



# Transducer Electronic Data Sheet (TEDS) SELF-ID Load Cell

- Load cell with electronic identification inside
- Meets IEEE 1451.4 standard for smart transducer interface
- Available on new or existing load cells
- Plug & Play Ready
- Cuts instrument setup time
- Eliminates data entry error
- Sensor information and calibration data



*Actual size compared to standard load cell*

INSTRUMENTATION

Interface has offered sensors with various types of SELF-ID for many years. The SELF-ID features eliminates the need to enter data via a keyboard or key panel from a paper calibration sheet into the instrument used with the load cell. This feature offers the following benefits:

- Eliminates potential for data entry error
- Cuts time in half to set up instrument
- Makes swapping of load cells easy
- Increases safety by making certain that system has the correct capacity of the load cell
- Can be used to identify location of load cell
- No need to store calibration sheets, no more paper, no more concern about lost sheets
- Makes inventory control of your load cells easy
- Load cells can be changed out without jeopardizing integrity of system

Now TEDS provides additional advantages over proprietary SELF-ID because it is an industry standard (IEEE 1451.4) which has the potential to permit mix and matching of load cells and instruments from different manufacturers.

IEEE1451.4 specifies a table of identifying parameters that are stored in the load cell in the form of a TEDS (Transducer Electronic Data Sheet). TEDS is a table of parameters that identify the transducer and is held in the transducer on a EEprom for interrogation by external electronics.

# Model 9820 General Purpose Indicator



- Bipolar
- 5 digit bipolar LED display
- Nonlinearity <math>\lt; \pm 0.01\%</math>
- Analog output –  $\pm 10$  VDC, with 2 kHz bandwidth
- Front panel shunt calibration, tension or compression, internal or external resistor
- Peak and valley monitoring
- Remote and front panel tare
- Transformer minimizes noise



### STANDARD CONFIGURATION

9820-000-1 110 V with  $\pm 10$ V analog output

### OPTIONS

Bench top enclosure

### SPECIFICATIONS

#### EXCITATION

Excitation Voltage.....5, 10, VDC  
(jumper selectable)

Current.....60, 120 mA respectively

#### PERFORMANCE

Maximum Display Range ..... $\pm 99,999$

Internal Resolution..... $\pm 19,999$  counts

Signal Input Range..... $\pm 50$  mV

Sensitivity.....1.2  $\mu$ V/count

Readings Per Second.....2.5

Maximum Error .....0.01% FS  
 $\pm 1$  count

CMR.....120dB

#### ENVIRONMENTAL

Operating Temperature.....14 to 122°F  
-10 to 50°C

Relative Humidity – MAX .....90% at 104°F,  
non-condensing

#### POWER

AC .....115 OR 230 VAC  
50–60 Hz

Power Consumption.....6 watt

#### MECHANICAL

Size .....3.78" W, 1.89" H, 5.5" D  
(96 X 48X 140 mm)

Weight .....1.3 lb (575g)

Display .....LED 14 segment,  
.4" H

Panel Cutout.....3.62" W X 1.77" H  
(92 X 45 mm)

FAST ANALOG OUTPUT .....2 kHz

INSTRUMENTATION

# Model 9830

## High Speed Digital Indicator

- Sample rate 120 readings per second
- 4 limit setpoints with solid s/h relays
- Programmable analog output,  $\pm 10$  VDC and 4-20 MA, 2000 Hz bandwidth
- 5 digit bipolar LED display
- Nonlinearity  $< \pm 0.01\%$
- Front panel shunt calibration
- Peak and valley monitoring
- Remote and front panel tare
- Powers four 350 load cells
- Designed for CE compliance
- Bidirectional RS232



### SPECIFICATIONS

#### EXCITATION

Excitation Voltage.....	5, 10, VDC (jumper selectable)
Current.....	60, 120 mA respectively

#### PERFORMANCE

Maximum Display Range .....	$\pm 99,999$
Display Update .....	5/sec
Internal Resolution .....	$\pm 32,768$ counts
Signal Input Range.....	$\pm 50$ mV
Sensitivity.....	0.8 $\mu$ V/count
Readings Per Second.....	120
Maximum Error .....	0.01% of reading $\pm 1$ count
CMR.....	120dB
Scalable Analog Output .....	$\pm 10$ VDC and 4-20 mA
RS232 Output	

#### ENVIRONMENTAL

Operating Temperature.....	14 to 122°F -10 to 50°C
Relative Humidity – MAX .....	90% at 104°F, non-condensing

#### POWER

AC .....	115 OR 230 VAC 50–60 Hz
Power Consumption .....	6 watt

#### MECHANICAL

Size .....	3.78" W, 1.89" H, 5.5" D (96 X 48 X 140 mm)
Weight .....	1.3 lb (575g)
Display .....	LED 14 segment, .4" H
Panel Cutout.....	3.62" W X 1.77" H (92 X 45 mm)

### STANDARD CONFIGURATION

9830-110-1 110V with  $\pm 10$ V analog output

### OPTIONS

Bench top enclosure  
External relay board

# Model 9834 High Level Input Digital Indicator

- Works with  $\pm 5$  VDC,  $\pm 10$  VDC, 0-20 mA and 4-20 mA inputs
- Sample rate 120 readings per second
- Programmable analog output,  $\pm 10$  VDC and 4-20 mA, 2000 Hz bandwidth
- 5 digit bipolar LED display
- Nonlinearity  $< \pm 0.01\%$
- Front panel calibration
- Peak and valley monitoring
- Remote and front panel tare
- 4 limit setpoints
- Designed for CE compliance
- Bidirectional RS232



INSTRUMENTATION

## STANDARD CONFIGURATION

- 9834-V-1 Voltage input with  $\pm 10$ V analog output and 4-20 mA
- 9834-C-1 Current input with  $\pm 10$ V analog output and 4-20 mA

## OPTIONS

- Bench top enclosure
- 230 VAC power

## SPECIFICATIONS

<b>EXCITATION</b>	
Excitation Voltage.....	15 VDC
Current.....	100 mA
<b>PERFORMANCE</b>	
Maximum Display Range .....	$\pm 99,999$
Display Update .....	10/sec
Internal Resolution .....	$\pm 32,768$ counts
Signal Input Range.....	6 VDC max for 5 VDC
	11 VDC max for 10 VDC
	21 mA max for 4-20 & 0-20 mA
Readings Per Second.....	120
Maximum Error .....	0.01% of reading
	$\pm 1$ count
CMR .....	120dB
Scalable Analog Output .....	$\pm 10$ VDC and 4-20 mA
RS232 Output	
<b>ENVIRONMENTAL</b>	
Operating Temperature.....	14 to 122°F
	-10 to 50°C
Relative Humidity – MAX .....	90% at 104°F,
	non-condensing
<b>POWER</b>	
AC .....	115 OR 230 VAC
	50–60 Hz
Power Consumption.....	6 watt
<b>MECHANICAL</b>	
Size .....	3.78" W, 1.89" H, 5.5" D
	(96 X 48 X 140 mm)
Weight .....	1.3 lb (575g)
Display .....	LED 14 segment, 0.4" H
Panel Cutout.....	3.62" W X 1.77" H
	(92 X 45 mm)

# Model 9840 Intelligent Indicator

- TEDS Plug & Play Ready!  
IEE1451.4 compliant
- 1 or 2 Channel
- Remote sense excitation
- 5 & 6 point linearization
- Bipolar
- $\pm 999,999$  display counts
- Nonlinearity  $< \pm 0.005\%$
- Auto setup for multiple load cells
- Fast, direct analog output
- $\pm 10$  VDC scalable analog output - 16 bit
- Full duplex RS232C communication
- Peak/valley hold with front panel reset
- Front panel and remote tare
- 8 selectable digital filters
- Auto zero
- Front panel shunt calibration  
with two selectable resistors
- Display units conversion:  
Lb, Kg, N, Psi, Mpa, Klb, KN, t, mV/V
- Two-line vacuum fluorescent display
- Quadrature encoder channel available
- mV/V Calibration
- USB port

## STANDARD CONFIGURATION

9840-100-1 110V single channel

## OPTIONS

Second channel  
Quad limits  
RS485 output  
4-20 mA analog output  
Panel mount bracket  
Multi-drop RS232/485



## SPECIFICATIONS

### EXCITATION

Voltage ..... 5 or 10 VDC  
Current – MAX ..... 180 mA

### OUTPUTS

Serial Interface ..... RS232 duplex  
Output – Analog, 16 bit ..... Scalable,  $\pm 10$  VDC  
Output – Analog, Direct ..... 1.5 kHz BW  
Output – Analog ..... 4–20 mA (optional)  
Limits ..... Quad-programmable

### PERFORMANCE

Maximum Display Counts .....  $\pm 999,999$   
Display Update ..... 4 / sec.  
Internal Resolution ..... 24 bits  
Signal Input Range .....  $\pm 4.5$  mV/V  
Programmable Count - by ..... 1, 2, 5, 10, and 20  
Conversion Rate ..... 60 / sec.  
Maximum Error ..... 0.01% FS  
 $\pm 1$  count  
CMRR ..... 115 dB

### ENVIRONMENTAL

Operating Temperature ..... 32 to 122°F  
0 to 50°C  
Storage Temperature ..... 14 to 140°F  
-10 to 60°C  
Relative Humidity – MAX ..... 95% at 104°F  
non-condensing

### POWER

AC Power ..... 115 or 230 VAC  
50–60 Hz  
DC Power (option) ..... Available as a special  
Power Consumption ..... 12 watts

### MECHANICAL

Size ..... 7.5" W, 2.5" H, 9.5" D  
Weight ..... 5 lb  
Display ..... Vacuum Fluorescent  
Unit Annunciator ..... Lb, Kg, Klb, KN, N, mV/V

# Model 9860 TEDS Indicator



- TEDS Plug & Play Ready!  
IEEE1451.4 compliant
- 150 conversions per second  
(with no digital filtering)
- Peak and valley monitoring
- 4 limit setpoints
- 0.4" high efficiency red LED's
- FS Accuracy  $\pm 0.01\%$  FS  $\pm 1$  digit
- Front panel calibration
- Bidirectional RS232
- Analog output of 1000 Hz



INSTRUMENTATION

### STANDARD CONFIGURATION

9860-110-1  $\pm 10$ VDC 4-20 mA output (110V)  
 9860-110-2  $\pm 10$ VDC 4-20 mA output (220V)

### OPTIONS

Benchtop Enclosure

DE-9S PINOUTS	
PIN	FUNCTION
1	+EXCITATION
2	+SENSE
3	+SIGNAL
4	-SIGNAL
5	-SENSE
6	-EXCITATION
7	TEDS DATA
8	TEDS COMMON
9	CHASSIS GROUND

### SPECIFICATIONS

**ELECTRICAL**  
 Excitation Voltage.....5 or 10 VDC  
 Current.....60, 120 mA respectively

**PERFORMANCE**  
 Maximum Display Counts ..... $\pm 99,999$ ;  $\pm 999,999$   
 w/dummy zero  
 Internal Resolution.....16 bit ( $\pm 32,768$  counts)  
 Signal Input Range.....2.5 or  $\pm 5$  mV/V (internal  
 switch selection)  
 Communications Output .....Bi-directional RS232 serial  
 communications.  
 Programmable baud rate  
 (9600 to 115.2k baud).  
 XON/XOFF for data streaming  
 FS Accuracy ..... $\pm 0.01\%$  FS  $\pm 1$  digit

**ENVIRONMENTAL**  
 Operating Temperature.....14 to 122°F  
 -10 to 50°C  
 Enclosure .....1/8 DIN extruded aluminum  
 housing w/shielded front  
 panel switch assembly

**POWER**  
 AC .....115 or 220 VAC  
 Connector.....3-prong IEC with integral  
 fuse holder

**MECHANICAL**  
 Size .....3.78" W x 1.89" H x 5.5" D  
 96 X 48 X 140 mm  
 Display .....0.4" high efficiency red LED's  
 TEDS illuminates amber



# Model 9850 Multi-Channel Indicator

- High speed - 2000 samples/sec/channel
- Torque, speed, HP, load, angle, position display
- Works with torque sensors, load cells, encoders, LVDTs and speed pickups
- 7-pole 200 Hz anti-alias filter plus 4-pole digital filters
- Includes graphical logging software
- RS232, RS422, RS485
- Max/Min capture
- Two-line backlit LCD display
- Math channel for calculated values
- User definable units
- Scalable analog outputs



## AVAILABLE CHANNELS

AC mV/V  
 DC mV/V  
 ±5 or ±10 VDC  
 4-20 mA current  
 Frequency (speed)  
 Encoder/totalizer (angle or position)  
 LVDT (position)

## OPTIONS

Second transducer channel  
 Input type  
 DC power  
 Panel mount kit

## SPECIFICATIONS

### TRANSDUCER EXCITATION/SUPPLY

Channel Type:  
 AC mV/V .....3 Vrms, 3030 Hz ±0.01%  
 DC mV/V .....5 or 10 VDC  
 ±5 or ±10 VDC.....12, 220mA  
 4-20 mA.....15V, 30mA  
 Frequency/Encoder/Totalizer .....5V, 250mA and/or 12V, 125mA  
 LVDT .....2V rms, selectable frequency

### OUTPUTS

Serial Interface.....RS232/RS422/RS485  
 Output – Analog, 12 bit .....2 Scalable, ±5 VDC, or ±10 VDC  
 Limits.....HI/LO, per channel

### PERFORMANCE

Maximum Display Counts .....10,000  
 Display Update .....4/sec.  
 Internal Resolution.....±14 bits  
 Conversion Rate.....2000/sec.  
 Maximum Error .....0.02% FS

### ENVIRONMENTAL

Operating Temperature.....+41°F to 122°F  
 Relative Humidity - MAX .....95% at 104°F, non-condensing

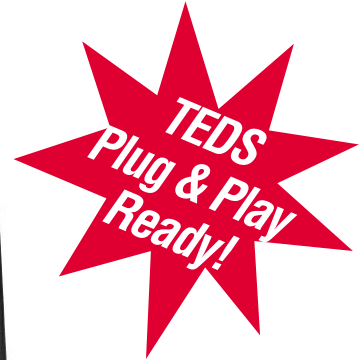
### POWER

AC Power .....90 VAC to 250 VAC  
 50/60 Hz @ 25VA max  
 DC Power .....10-15 VDC at 15 watts max

### MECHANICAL

Size .....6.5" W, 2.5" H, 8.7" D  
 Weight .....3 lb  
 Display .....Backlit LCD

# Model 9320 Hand Held Battery Powered Indicator



- TEDS Plug & Play Ready (see Page 149)
- 7 1/2 digit bipolar LCD display
- Dual range with unit labels
- Environmentally sealed
- Peak/valley hold
- Display hold
- Gross/net
- 25 Hz selectable update rate
- Shunt cal
- Power save mode
- mV/V Calibration



INSTRUMENTATION

## OPTIONS

Provides streaming ASCII for print, remote display and logging.

## SPECIFICATIONS

<b>ELECTRICAL</b>	
Excitation Voltage.....	.5 VDC
Current.....	.59 mA
<b>PERFORMANCE</b>	
Maximum Display Counts .....	±9999999
Internal Resolution.....	.24 bit
Signal Input Range.....	.5 mV/V
Readings Per Second.....	to 25 selectable
Nonlinearity .....	0.005% FS
<b>ENVIRONMENTAL</b>	
Operating Temperature.....	14 to 122°F
	-10 to 50°C
Enclosure .....	Sealed IP65/NEMA 4X
	(when mating plug fitted)
<b>POWER</b>	
Power.....	.2 x AA alkaline batteries
Battery Life.....	45 hrs
	(450 hrs in low power mode)
<b>MECHANICAL</b>	
Size .....	.3.5" W x 6.0" H x 1.3" D
	90 mm x 152 mm x 34 mm
Weight .....	.0.5 lb (250 g)
Display .....	.7 1/2 digit LCD display,
	8.8 mm digits





# Model 9300 Weight Indicator

- 6-digit display
- 60,000 display graduations
- Powers up to 8 load cells
- 15 Updates/second typical
- NEMA 4 stainless steel washdown enclosure
- Selectable primary/secondary units  
lb, kg, ounces, short tons, metric tons,  
grams or none.
- 2 Independent serial  
communications ports:  
(1) full duplex, (1) unidirectional or  
active 20 mA current loop
- Full front-panel digital calibration  
& configuration
- Three-stage digital filtering
- CE Marked



## SPECIFICATIONS

### ELECTRICAL

Excitation Voltage.....	10 ±0.5 VDC, 8 x 350Ω load cells or 16 x 700Ω load cells
-------------------------	--

### PERFORMANCE

Maximum Display Counts .....	100,000
Analog Signal Input Range.....	0.6 mV/V - 4.5 mV/V
Sensitivity.....	0.3μV/graduation min.
Measurement Rate .....	15 measurements/second

### ENVIRONMENTAL

Operating Temperature.....	14 to 122°F -10 to 50°C
----------------------------	----------------------------

### POWER

AC Power .....	115 OR 230 VAC 50-60 HZ
----------------	----------------------------

### MECHANICAL

Weight .....	6.4 lb (2.9 kg)
Enclosure .....	NEMA 4X/IP66 stainless steel
Enclosure Size .....	9.5 in x 6 in x 2.75 in
Display .....	6 digit LED

## OPTIONS

Analog output: selectable 0-10V,  
4-20 mA

Panel mount kit

Please specify if CE mark is required



# Model 9390 Battery Powered Weight Indicator

- Large 1" high contrast LCD display
- 6-digits
- 100,000 graduations
- Powers up to 4 load cells
- Battery powered
- 15 updates/second typical
- Configurable standby mode for extended battery life
- Full front-panel digital calibration & configuration
- Three-stage digital filtering
- Full Duplex RS232



INSTRUMENTATION

## OPTIONS

Carrying case for portable use  
Please specify if CE mark is required

## SPECIFICATIONS

<b>ELECTRICAL</b>	
Excitation Voltage.....	5 ±0.5VDC, 4 x 350Ω load cells or 8 x 700Ω load cells
<b>PERFORMANCE</b>	
Maximum Display Counts .....	100,000
Analog Signal Input Range.....	4.5 mV/V
Sensitivity.....	0.3 μV/graduation min.
Measurement Rate .....	30, 15, 7.5, 3.75/second
<b>ENVIRONMENTAL</b>	
Operating Temperature.....	14 to 104°F -10 to 40°C
<b>POWER</b>	
Power.....	9 VDC provided by 6 "C" cells or included AC adaptor
<b>MECHANICAL</b>	
Weight .....	4.6 lb with batteries
Enclosure .....	NEMA 4X/IP66 stainless steel
Enclosure Size .....	9.0 in x 3 in x 5.52 in
Display .....	6 digit LCD, 1" high

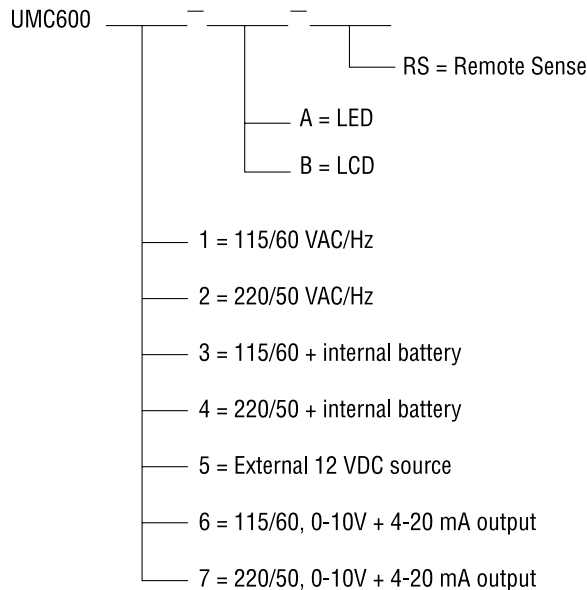


# Model UMC600 Weight Indicator/Controller

- Powers up to 8 load cells
- 80,000 display graduations
- Nonlinearity  $\leq \pm 0.01\%$
- Nema 4 stainless steel enclosure
- Serial output (RS232)
- Adjustable digital filter
- Dual setpoint outputs
- Tilt stand base
- “Zero,” “Tare,” “Net/Gross,” “lb/kg Conv.,” and “Print” keys
- 10 updates/second with adjustable digital averaging
- Active 5 Hz analog filter
- 5-point linearization
- Batching and weighing functions



## OPTIONS



## SPECIFICATIONS

### ELECTRICAL

Excitation Voltage (Nominal) .....10 VDC  
Current .....240 mA

### PERFORMANCE

Maximum Display Counts .....80,000  
Maximum Error .....0.01% of reading  $\pm 1$  count  
Signal Input Range.....9 to 44 mV FS  
Sensitivity.....0.3  $\mu$ V/count  
Conversion Rate.....10 per second  
Integration Time.....20 msec typical  
Display Increments .....1, 2, 5, 10, 20, 50, 100

### ENVIRONMENTAL

Operating Temperature.....14 to 104°F  
-10 to 40°C

### POWER

AC .....115/60 or 230/50 VAC/Hz  
(Internal rechargeable battery or 12 VDC optional)

### MECHANICAL

Panel Cutout.....9.12 X 6.62" (232x168 mm)

**DIMENSIONS** .....L 9.12" x H 6.62" x W 4.18"

Weight .....9.4 lb (4300g)

Display .....6 digit, LED or LCD,  
.6" high

## ACCESSORIES

Panel mount kit  
CN-208 mating connector (included)

INSTRUMENTATION

## Interface Gold Standard™ Calibration Systems

A fully integrated PC-based solution for calibration of load cells and force test machines

**Why the Interface model Gold Standard™ Calibration System is the best in class:**

- **Controlled calibration process reduces calibration times by 50% to 90% and produces consistent calibration results**
- **Easy-to-use software reduces operator training time**
- **Fully integrated reporting functions**
- **Automatic archiving of calibration results**
- **Supports ASTM E74, ASTM E4 and ISO 7500/1, EN10002**
- **Industry Accepted terms and calculations**
- **0.1 $\mu$ V display resolution**
- **Used in over 150 caliabration labs world-wide**



## Gold Standard™ Load Cell Calibration System

The Interface load cell calibration system combines highly accurate load cell signal conditioning, calibration standard load cells and state of the art calibration software. In this system a Gold Standard™ or Platinum Standard™ load cell is placed in line with the load cell to be calibrated in a hydraulic or mechanical force test machine. The system steps through a sequence of test points, either manually or automatically and then calculates performance specifications such as Linearity and Hysteresis, stores the data and creates test reports.

## Gold Standard™ E4 Machine Calibration System

The Interface E4 verification system integrates the ultra-accurate 9840 Intelligent Indicator with any laptop computer. This creates a portable system for in-field verification of force test machines. The verification involves insertion of a reference load cell (such as the Interface Gold Standard™ Load Cell) into the equipment under test. Each data point in the test frame controller is compared against the reading from the reference load cell.

## Gold Standard™ Load Cell Calibration System

### SYSTEM INCLUDES

- One SCB1 2 Channel Signal Conditioning Board
- One ICS-202 Force Calibration Software
- One SIS-103 One-Day Training at Interface
- One CT-139-10 SCB1 to GS Load Cell Cable
- One CT-142-10 SCB1 to Standard Load Cell Cable
- One CX-0440 mV/V Transfer Standard
- One SIS-104 System Setup

### OPTIONS

- HRBSC Boards
- 9840-200-1 Dual Channel
- DA-101 For Test Machine Automation
- HL-410 For High Level Outputs
- CX-0610 or Other Multi-Step mV/V Transfer Standard
- USB Chassis for Signal Conditioning Board(s)

## Gold Standard™ E4 Machine Calibration System

### SYSTEM INCLUDES

- 9840-100-1 Intelligent Indicator
- One ICS-205 E4 Machine Calibration Software
- One CT-177-10 Gold Standard™ Interconnect Cable Assembly
- Serial Cable, Laptop to 9840
- One CX-0440  $\pm 4$ mV/V Transfer Standard
- One SIS-104 System Setup
- Training at Interface

### OPTIONS

- Dual Channel 9840
- CX-0610 or Other Multi-Step mV/V Transfer Standard



# Gold Standard™ Calibration System Options

- **GS-USB:** Provides USB interface for HRBSC, SCB1, DA-101 and HL410 instrument boards includes internal power supply, cooling fan and USB cable.
- **SCB1:** 20 bit instrument board provides signal conditioning for the Gold Standard™ System. Available in single or dual channel versions. (See Page 164 for specifications)
- **HRBSC:** High-resolution 22 bit instrument board increases accuracy over the SCB1. (See Page 165 for specifications)
- **DA-101:** Digital to analog board for generating command signal for system control. Provides setpoint signal for servo controlled hydraulic force testing.
- **HL410:** High level 4-channel input board allows calibration of  $\pm 5$  and  $\pm 10$  VDC output transducers and includes all features of the DA-101.
- **Load Cell Simulator:** mV/V transfer standards are used to calibrate the Gold Standard™ system, and for setting up and testing load cell readout devices. (See Page 163 for more information)  
**CX-0404 - specifically designed for instrument substitution testing as per ASTM E74.**
- **Desktop, laptop or portable PC:** Contact factory for currently available configurations.
- **Gold Standard™ or Platinum Standard™ load cells as required:** See Page's 34-41.



**GS-USB**



**1611 Gold Standard™  
Compression Only**



**1810 Platinum Standard™  
Universal Style**

# Precision mV/V Load Cell Simulator

- Most accurate load cell simulator
- Special low thermal emf construction
- Each unit individually calibrated, aged and recalibrated
- Strong, rugged design
- Instrument substitution testing



CX-0610



CX-0440

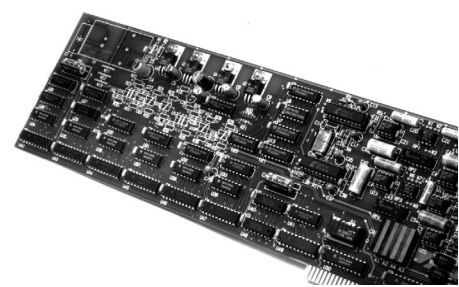
Models CX-0202, CX-0610, CX-0440, CS-0330, and CX-0220 are used for setting up and checking the Gold Standard™ System Hardware. CX-0440, CX-0330, and CX-0220 are single-step mV/V transfer standards providing precision outputs of ±4, ±3, and ±2 mV/V respectively. CX-0610 is a multi-step unit that allows the user to go from -6 mV/V to +6 mV/V in 1 mV/V steps.

**Model CX-0404 is specifically designed for instrument substitution testing as per ASTM E74.**

Specification	CX-0404 Multi-Step Model	CX-0610 Multi-Step Model	CX-0440 Single-Step Model	CX-0330 Single-Step Model	CX-0220 Single-Step Model
Output at zero setting	< 0.5 µV	< 0.5 µV	< 1.0 µV	< 1.0 µV	< 1.0 µV
Output settings—mV/V	0, ±0.04, ±0.08, ±0.2, ±0.4, ±0.8, ±1.2, ±1.6, ±2.0, ±2.4, ±3.2, ±4.0, ±4.4	-6, -5, -4, -3, -2, -1, +1, +2, +3, +4, +5, +6	-4, +4	-3, +3	-2, +2
Output accuracy at any non-zero setting, normalized to actual zero setting output: Relative to nominal value	0.01% to 0.05% of setting	0.01% of setting	0.01% of setting	0.01% of setting	0.01% of setting
Relative to value provided in unit-specific calibration chart	0.0015% of setting for one year	0.0015% of setting for one year	0.0025% of setting for one year	0.0025% of setting for one year	0.0025% of setting for one year
Temperature coefficient of normalized output	< 5 ppm/°C of setting	< 5 ppm/°C of setting	< 5 ppm/°C of setting	< 5 ppm/°C of setting	< 5 ppm/°C of setting
Input and output resistance: At zero setting	350 ohms ±0.005%	350 ohms ±0.005%	350 ohms ±0.005%	350 ohms ±0.005%	350 ohms ±0.005%
At output setting (value decreases with increasing setting, either polarity)	> 347.5 ohms	> 347.5 ohms	> 348.5 ohms	> 348.5 ohms	> 348.5 ohms

# Model SCB1 Signal Conditioning Board 1 or 2 Channel

- Nonlinearity <0.003% full scale
- 20-bit resolution
- High thermal stability
- Shunt calibration, software selectable
- Single or dual channel versions
- Bipolar
- Isolated output



The SCB1 signal conditioning board comes in a one or two-channel configuration. The single-channel unit is used with a dead weight system and/or for test machine verification, while the two-channel unit is used for calibrations where a reference (Standard) load cell is being used. One channel is connected to the reference standard and one channel is connected to the cell being calibrated.

## ACCESSORIES\*

- CT-139-10 Interconnect cable (1600 type)
- CT-142-10 Interconnect cable (1000 type)
- CT-154-10 Interconnect cable (pigtailed)
- DA-101 Digital-Analog board, used with automated systems (consult factory)
- GS-USB Chassis to house Signal Conditioning Board(s)

\*See appendix for more technical information

## SPECIFICATIONS

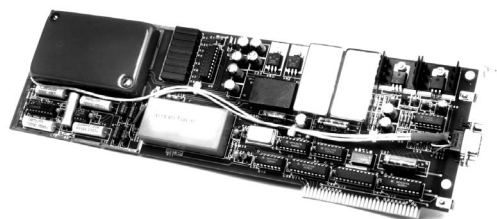
<b>EXCITATION</b>	
Excitation Voltage.....	10 V DC
Current .....	120 mA max
<b>PERFORMANCE</b>	
Resolution .....	20 bits
Signal Input Range.....	±2.5, ±5.0, or ±7.5 mV/V
Conversion Rate.....	8 readings/second
Nonlinearity .....	<.003% full scale
Span Temperature Coefficient .....	<10ppm/°C
Zero Temperature Coefficient .....	<0.2 microvolt/°C
Span Stability—after warm up .....	±.003% per 24 hrs., ±.01% per year
Zero Stability—after warm up .....	±10 microvolt/per year
Settling Time .....	<0.25 sec to within .01%
Frequency Response .....	5Hz (-3 dB points)
Input Resistance .....	>100 megohm
Common mode rejection .....	>90 dB
Common mode voltage re: signal .....	±8 volts without damage
Common mode voltage re: ground .....	±500 V peak without damage (isolated version only)
Isolation Resistance .....	>100 megohms to ground
Noise .....	<0.3 µvolt typical, 0.6 µvolt max (digital filter ON) <0.7 µvolt typical, 1.5 µvolt max (digital filter OFF)
<b>ENVIRONMENTAL</b>	
Operating Temperature.....	35 to 105°F
Relative Humidity – MAX .....	80%
<b>Power</b>	
DC .....	PC BUS +5 V supply
Power Consumption.....	10 watts max
<b>Mechanical</b>	
Outline .....	3.75 x 14 x .75 in (95 x 356 x 19 mm) Full Size Card
Connector.....	DE-9 Socket (1 per channel)



# Model HRBSC High Resolution Signal Conditioning Board

- Nonlinearity <0.001% full scale
- 22-bit resolution
- High thermal stability
- Shunt calibration, software selectable
- Auto ID with Gold Standard load cells
- ISA slot plug-in board
- Bipolar

The model HRBSC is a single-channel high resolution signal conditioning board. This board offers many additional features over the SCB1 for users requiring the highest levels of accuracy and precision.



## OPTIONS\*

- 5 VDC excitation
- Special shunt calibration resistors

## ACCESSORIES\*

- CT-134-10 Interconnect cable (1600 type)
- CT-141-10 Interconnect cable (1000 type)
- DA-101 Digital-Analog board, used with automated systems (consult factory)
- GS-USB Chassis to house Signal Conditioning Board(s)

\*See appendix for more technical information

## SPECIFICATIONS

<b>EXCITATION</b>	
Excitation voltage .....	10VDC ±1%, mV ripple max 80-5000 ohm load
<b>PERFORMANCE</b>	
Internal Resolution .....	22 bits
Signal Input Range .....	-4.5 to +4.5 mV/V
Integration Time .....	Software selectable from 1, 10, 16.7, 20, 100, 166.7 and 300 msec
Nonlinearity .....	<0.001% full scale
Span Temperature Coefficient .....	<5ppm/°C
Zero Temperature Coefficient .....	<0.1 microvolt/°C
Span Stability—after 60 min warmup ..	±0.001%, 24 hrs. ±0.003%, 1 yr.
Zero Stability— after 60 min warmup ..	±5 microvolts, one year
Response .....	<0.5 sec to within 0.01% basic analog response. Response rate equals 3 seconds for 100 msec conversion time and standard digital filter
Input Resistance .....	>100 megohm
Common Mode Rejection .....	>120dB @ 60Hz, >110 dB @ DC
Common Mode Voltage .....	±8 V without damage ±5 V for specified common mode reject
Noise .....	<0.25 μvolt typical, 0.6 μvolt max peak with 350 ohm load, @ 100 msec integration time and 10 sample average
<b>ENVIRONMENTAL</b>	
Operating Temperature .....	35 to 105 °F
Relative Humidity-MAX .....	80%
<b>Power</b>	
DC .....	PC BUS +5 V supply
Power Consumption .....	10 watts max
<b>Mechanical</b>	
Outline .....	3.75 x 14 x .75 in (95 x 356 x 19 mm) Full size card
Connector .....	DE-9 socket

## NIST Traceable Load Cell Calibration Service



**INTERFACE  
has the  
most consistent  
and meticulous  
calibration  
service  
in the  
industry**

- 1,000,000 lbf capacity (kN, kg, etc. also available)
- Commercial, Mil STD, ASTM E74, Z540, EN10002-3, ISO-376, & System calibrations
- Calibrations for most manufacturer's load cells & instruments
- 1 week turnaround (2 days on special order)

**CALL 1-800-947-5598 x152 or x133 FOR QUOTATION**

# Typical Interface Load Cell Calibration Certification



## LOAD CELL CALIBRATION CERTIFICATION

CONDITION: FINAL      PROCEDURE: C-1257  
 MODEL: 1020BJ-25K-B      SERIAL: 99886      BRIDGE: A      CAPACITY: 25      K1bf  
 INPUT RESISTANCE: 351.2      OHM  
 OUTPUT RESISTANCE: 351.2      OHM  
 ZERO BALANCE : -0.433      %RO

**TEST CONDITIONS**

TEMPERATURE: 77 °F      HUMIDITY: 47 %      EXCITATION: 10 VDC

**TRACEABILITY**

FORCE STANDARD : STD-9      NIST #: 822.07/258672      DUE: 15-JUN-99  
 STANDARD INDICATOR: BRD1      NIST #: 811/249920-92  
 TEST INDICATOR : BRD4      NIST #: 811/249920-92

**SHUNT CALIBRATION**

60 Kohm ± 0.01%      TENSION      COMPRESSION  
 OUTPUT      1.4604 mV/V      -1.4588 mV/V  
 STRAIGHT LINE conversion      17.579 K1bf      17.569 K1bf

Shunt calibration resistor connections for tension and compression respectively are (-EXC to -OUT) and (+EXC to -OUT) for connector models; (-SENSE to -OUT SHUNTICAL) and (+SENSE to -OUT SHUNTICAL) for 7 wire cable models.

**PERFORMANCE**

	RATED OUTPUT	SEB OUTPUT	NONLINEARITY	HYSTERESIS	SEB
TENSION	2.0767 mV/V	2.0769 mV/V	.006 %FS	.013 %FS	± .008 %FS
COMPRESSION	-2.0758 mV/V	-2.0757 mV/V	-.003 %FS	.001 %FS	± .002 %FS

STATIC ERROR BAND (SEB) - The band of maximum deviations of the ascending and descending calibration points from a best fit straight line through zero OUTPUT. It includes the effects of NONLINEARITY, HYSTERESIS, and nonreturn to MINIMUM LOAD.

TEST LOAD APPLIED ( K1bf)	RECORDED READINGS (mV/V)	
	Tension	Compression
0	.0000	.0000
5	.4155	-.4151
10	.8307	-.8303
15	1.2460	-1.2454
20	1.6614	-1.6606
25	2.0767	-2.0758
10	.8309	-.8303
0	-.0001	.0001

Interface, Inc. certifies that all calibration measurements are traceable to NIST.  
 Estimated uncertainty of measurements is 0.05%  
 Do not reproduce this report except in full or with Interface written approval.

TECHNICIAN : \_\_\_\_\_

DATE : 17-March-06

INTERFACE INC.  
 7401 EAST BUTHERUS DRIVE · SCOTTSDALE, ARIZONA 85260, U.S.A.  
 TELEPHONE (480)948-5555 · FAX (480)948-1924

# ASTM E74 Calibration

## INTRODUCTION

The E74 procedure has been developed by the ASTM E-28 committee on Mechanical Testing as a standard for instruments used for verifying force indication of materials testing machines. The standard is being adopted for use with load cells in other applications also, as it presents a uniform and rigorous approach to calibration.

## INTERFACE CAPABILITY

Interface, Inc. provides calibration on load cells up to 1,000,000 lbf capacity. The lower capacity calibrations are performed with deadweights and the higher capacities use secondary standard load cells in a comparison procedure. Interface secondary standards are calibrated by primary standards at NIST annually. The secondary standards are useful over their Class AA (most restrictive) range as determined by the NIST calibration per E74; the load cells being calibrated at Interface are then useful over their Class A range which is stated on the calibration certificate. With the secondary standard load cells, Interface can provide calibrations at virtually any load values within the capacity range, ascending or descending, and in any force units: lbf, kN, kg, etc.

## FEATURES OF E74

The key elements of the E74 procedure include the application of at least 10 different forces approximately equally spaced, each of which must be applied at least 2 times, and the total of all force applications must be at least 30. Typically, 10 forces are applied in 3 sequences. The load cell is rotated in position in the test frame between sequences to randomize errors caused by loading conditions.

Upon completion of the tests, a polynomial equation is fitted to the 30 readings using regression analysis. The degree of the equation, degree 2 through degree 5 being possible, is determined per E74 test criteria and the highest degree allowed is used. A standard deviation is calculated from the errors of the readings relative to the fitted equation per the E74 procedure. From this calculation, the uncertainty and lower load limit of the Class A range are in turn calculated.

## CERTIFICATION

A test report is provided with each calibration stating the forces applied, the corresponding readings, the coefficients of the polynomial equation, the fitted output at each load, the standard deviation, uncertainty, lower load limit, error plots, NIST traceability information, and environmental conditions at the time of test. The previous page show an example of a test report for a tension & compression calibration.

## MULTIPLE CALIBRATIONS WITH CURVE FIT.

Three calibrations are performed rotating the load cell in the load frame by 120° between each test. All test data is presented in a tabular form. A curve is fitted to the data and the standard deviation of all test points about the fitted curve is calculated. The calibration record states that all measurements are traceable to NIST and provides the force standard test reference number.

# Low Profile Options

## Positive Compression Overload Protection for Low Profile Load Cells

The positive overload option is useful when high overloads occur in applications such as: impact loads on weighing platforms; engine malfunctions during rocket or jet engine testing; transient overloads on engine dynamometers.

The unique design of INTERFACE load cells allows incorporation of a simple positive overload stop to protect against overload in compression. This stop engages at approximately 125% of cell capacity.

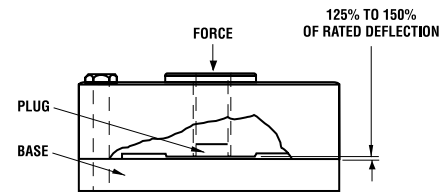
Compression-Only cells with the overload option may be operated to 5 times rated capacity without damage in capacities through 25,000 pounds. 50,000 pound capacities and larger may be operated to 3 times rated capacities.

Load cells with positive overload protection must be ordered with an INTERFACE installed base.

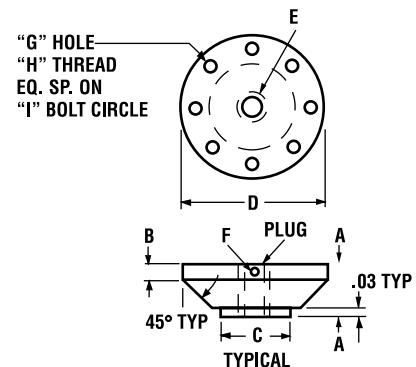
## Bases for Low Profile Load Cells

These heat treated, high strength bases are available in standard sizes. When the base and load cell are ordered together, a plug is supplied in both the cell and the base to prevent damage or errors caused by over engagement of mating parts. Standard thread size is the same as the mating load cell.

BASES OR FLAT MOUNTING SURFACES ARE REQUIRED FOR ALL LOW PROFILE LOAD CELL INSTALLATIONS. A mounting surface that is flat to 0.0002" T.I.R. (total indicator reading) is required, unless a base is installed.



Center hub deflects under the load until it contacts the base which provides positive overload protection. The center tapped hole is sealed to keep overload surfaces clean.



P/N	A	B	C	D	E	F	G	H	I	WT., lb	Mat'l
B-101	1.12	0.50	1.25	4.12	5/8-18	.25	8	1/4-28	3.500	1.75	Aluminum
B-102	1.12	0.50	1.25	4.12	5/8-18	.25	8	1/4-28	3.500	4	Steel
B-103	1.75	0.81	2.25	6.06	1 1/4-12	.31	12	3/8-24	5.125	12	Steel
B-104	2.00	1.97	3.00	7.50	1 3/4-15	.31	12	7/16-20	6.250	24	Steel
B-105	3.00	2.97	4.50	11.00	2 3/4-8	.31	16	5/8-18	9.000	78	Steel
B-106	1.25	1.22	2.00	4.75	1/2-20	.31	4	5/16-24	4.000	6	Steel
B-108	2.50	2.47	3.00	8.25	3/4-16	.31	12	5/8-18	6.750	38	Steel
B-112	2.00	1.97	3.00	8.00	1 3/4-12	.31	16	1/2-20	6.500	26	Steel
B-116	4.00	3.97	4.50	11.00	2 3/4-8	.31	16	3/4-16	9.000	100	Steel
B-121	4.50	4.47	6.00	12.00	3 1/2-8	1/2-13	20	3/4-16	9.500	132	Steel
B-122	5.00	4.97	7.75	15.50	4 1/4-8	1/2-13	24	7/8-14	12.684	248	Steel
B-123	7.00	6.97	10.55	20.50	6.0-8	5/8-18	28	1.00-12	16.500	610	Steel

Note: Stainless Steel & Metric Bases are also available.

# Options

## Standardized Output

The output of INTERFACE load cells stated in the catalog is the nominal output. In reality, the load cells come from production with a tolerance band of approximately  $\pm 10\%$  (example: 4mV/V could be 3.6 to 4.4 mV/V). In multiple load cell applications such as batch systems and electronic truck scales, it is desirable for a customer to receive cells with a tighter band spread. With this option, outputs are standardized within  $\pm 0.1\%$  of the nominal outputs shown in the catalog. (Example: 4 mV/V would be 3.996 mV/V to 4.004 mV/V).

As a result of the trimming operation, the input resistance of the load cell may be increased. A maximum input resistance on a 350 Ohm bridge would not exceed 385 ohms. Compression cells are standardized in compression and universal cells are usually standardized in tension, although they can be standardized in compression on request. An INTERFACE base is required on Low Profile units with standardized outputs.

## Shunt Calibration

A precision fixed resistor ( $R_{CAL}$ ) placed across one leg of a load cell bridge causes an electrical unbalance which may be considered equivalent to a particular value of mechanical load. This "equivalent mechanical input" may be used for setting and checking an instrument or a system calibration without the necessity of applying a known mechanical load.

An  $R_{CAL}$  value approximating 73% of full scale is recorded and supplied for each low profile load cell. The user may duplicate this output by placing a like value resistor across the indicated terminals of the load cell.

The approximate value of shunt resistor which will simulate a particular mechanical load may be calculated, knowing the approximate output corresponding to the load, as follows:

$$R_{CAL} = \frac{25 R_B}{K \cdot X}$$

- Where  $R_{CAL}$  = Shunt resistor in Kohms  
 $R_B$  = Bridge resistance in ohms  
 $K$  = Rated output of cell in mV/V  
 $X$  = Load to be simulated,  
 in % of Rated Capacity

# Connector Options

## Connector Protection for Low Profile™ Load Cells

The Connector Protection Option provides a rugged, anodized aluminum protector for Low Profile™ Load Cells fitted with the INTERFACE standard PC04E-10-6P connector or other common connectors. This option can be included on new load cells or can be factory installed on existing INTERFACE load cells.

Recognizing that the majority of load cell repairs involve damaged connectors, Interface encourages the use of this option.

Contact the factory for additional information on the specific Protector Model for your load cell.



**Connector Protector**

## PT02E-10-6P Bayonet Connector

This option provides a bayonet style connector in place of the PC04E-10-6P threaded type connector which is standard on most Interface Low Profile™ Load Cells. Other connectors are available on request as special options.



**PC04E-10-6P  
Standard Connector**



**MC-001  
Mating Connector**

## Interconnecting Cables

Interconnecting cables are available for use with INTERFACE load cells. Cables include a load cell mating connector on one end and pigtailed leads on the other. Standard length is 10 ft, but any length is available, in increments of 5 ft

### SYSTEM INTERCONNECT CABLE PART NUMBERS

CT-101-xx\* tension upscale (emulates integral cable)

CC-101-xx\* compression upscale (for use with Junction Box in multi-cell weighing systems).

\*xx indicates length in feet



**PT02E-10-6P  
Optional Bayonet Connector**



**CN-207  
Mating Connector**

## Mating Connectors

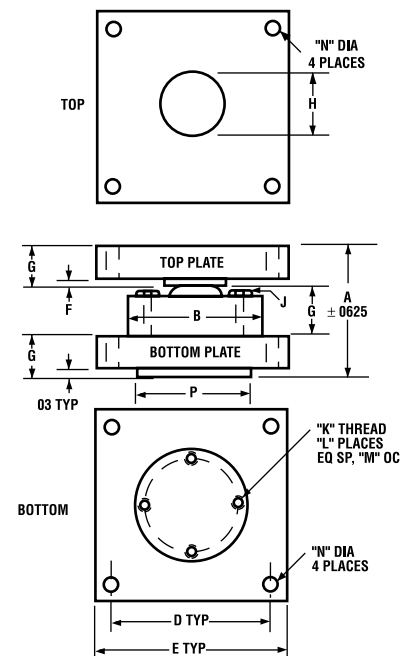
<u>Load Cell Connector</u>	<u>Mating Connector</u>	<u>Interface P/N</u>
PC04E-10-6P	PC06W-10-6S	MC-001
PT02E-10-6P	PT06A-10-6S (SR)	CN-207

# Accessories

## Mounting Plates for Low Profile™ Load Cells

The installation of a compression load cell under a weigh bridge, tank, or other structure normally requires that mounting plates be used. The bottom plate, ground flat to 0.0002 T.I.R. to mate with the load cell and fabricated of mild steel, distributes the load over the foundation or supporting structure and provides a prepared surface for the load cell.

The top plate distributes the load to the weighing structure and provides a hard ( $R_c45$ ) surface for the load button. The top plate will move on the button due to thermal expansion, load shifting, wind loading, and other side loads. The high side load capacity of the INTERFACE load cell eliminates the requirement for expansion assemblies in most installations. Mounting plates are suitable for compression loads only; they will not properly support a universal load cell used in tension.



P/N	L/C RANGE	A	B	C	D	E	F	G	H	J	K	L	M	N	P
TP-101, BP-101	1K, 2K	3.62	4.12	1.37	5.0	6	.25	1.12	2.00	1/4-20 X 1-1/2	1/4-20	8	3.50	.56	3.00
TP-101, BP-108	5K, 10K	3.62	4.12	1.37	5.0	6	.25	1.12	2.00	1/4-20 X 1-1/2	1/4-20	8	3.50	.56	3.00
TP-102, BP-102	25K, 50K	4.25	4.75	4.75	5.5	7	.25	1.25	2.25	5/16-18 X 2	5/16-18	4	4.00	.69	3.50
TP-103, BP-103	100K	5.25	7.50	2.25	6.5	8	.25	1.50	2.75	7/16-20 X 2 -1/2	7/16-20	12	6.25	.69	4.00
TP-104, BP-104	200K	8.25	8.25	3.25	8.0	10	.37	2.50	4.00	5/8-11 X 3 3/4	5/8-11	12	6.75	.69	8.25
*TP-301, BP-308	5K, 10K	3.49	4.12	1.37	5.0	6	.12	1.12	1.9	1/4-20 X 1-1/2	1/4-20	8	3.50	.56	3.00
*TP-302, BP-302	25K, 50K	4.25	4.75	1.75	5.5	7	.25	1.25	1.9	5/16-18 X 2	5/16-18	4	4.00	.69	3.50
*TP-303, BP-303	100K	5.25	7.50	2.25	6.5	8	.25	1.50	1.9	7/16-20 X 2-1/2	7/16-20	12	6.25	.69	4.0

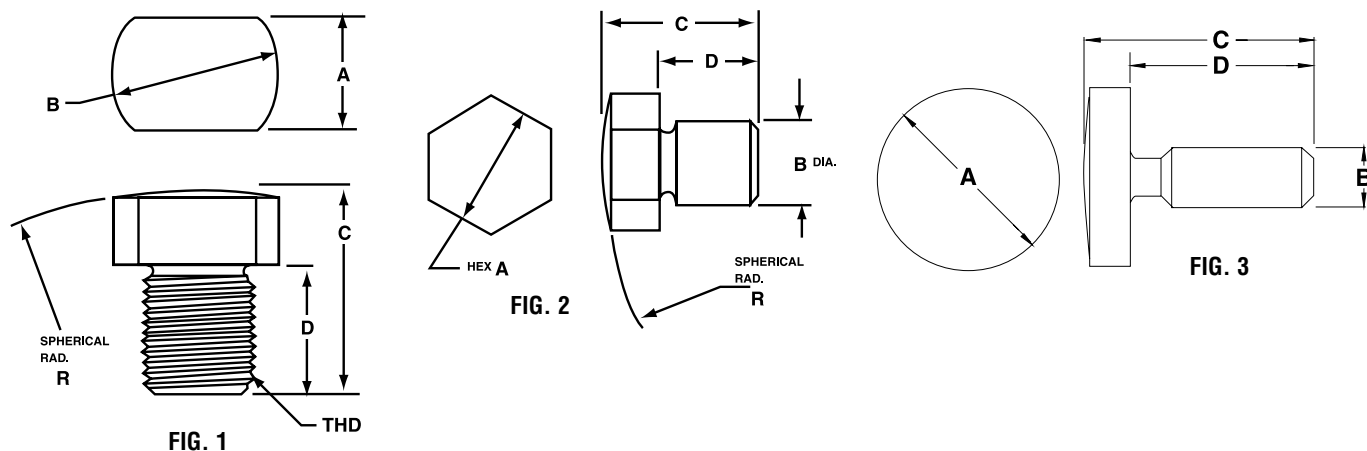
\*STAINLESS STEEL

Add the dash number after the basic part number of bottom plate to specify exact configuration of the plate and type of mounting screws supplied in the kit.

DASH #	DESCRIPTION	PAD	USAGE
-3	Single threaded stud in center	No	Load cell with base installed
-11	Tapped holes and hex head cap screws	Yes	Uncounterbored load cell
-12	Tapped holes and socket head cap screws	Yes	Counterbored load cell
-21	Tapped holes and hex head cap screws	No	Uncounterbored load cell
-22	Tapped holes and socket head cap screws	No	Counterbored load cell



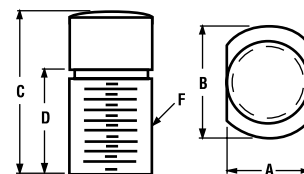
# Load Buttons



LOAD BUTTONS									
MODEL	MATERIAL	THD/DIA	APPLICATION	DIMENSIONS IN INCHES					
				A	B	C	D	R	FIG
LB-106	H.T. STEEL	1/4-28	SM-10 THRU 250, SSM-50 THRU 250	7/16	1/2	5/8	1/2	2	1
LB-109	H.T. STEEL	1/2-20	SM-500, 1000 SSM-500 THRU 3000	15/16	1 1/16	1 5/16	1	4	1
LB-110	H.T. STEEL	5/8-18	SSM-5000	15/16	1 1/16	1 5/16	1	4	1
LB-101	H.T. STEEL	5/8-18	1110 & 1210-300 THRU 10K	15/16	1 1/16	1 9/32	1	4	1
LB-102	H.T. STEEL	1 1/4-12	1120 & 1220-25K, 50K	1 1/2	1 3/4	1 9/16	11/16	6	1
LB-103	H.T. STEEL	1 3/4-12	1132 & 1232-100K	2 1/8	2 1/2	3 3/4	2 1/8	12	1
LB-104	H.T. STEEL	2 3/4-8	1140 & 1240-200K	3 1/2	4	5	3 1/8	12	1
LB-111	H.T. STEEL	.395	SSB-500, 1000	3/4	.395	3/4	1/2	4	2
LB-114	H.T. STEEL	0.169	MB-All, SSB-50 thru 250	0.50	0.169	0.63	0.50	2	3
METRIC SIZES									
LB-101M	H.T. STEEL	M16x2	1110 & 1210-5kN TO 50kN	15/16	1 1/16	1 9/32	1	4	1
LB-102M	H.T. STEEL	M33x2	1120 & 1220-100kN, 250kN	1 1/2	1 3/4	1 9/16	11/16	6	1
LB-103M	H.T. STEEL	M42x2	1132 & 1232-450kN	2 1/8	2 1/2	3 3/4	2 1/8	12	1
LB-104M	H.T. STEEL	M72x2	1140 & 1240-900kN	3 1/2	4	5	3 1/8	12	1

A load button may be installed in an INTERFACE universal load cell if it is used as a compression cell with the load applied by a plate or other flat surface.

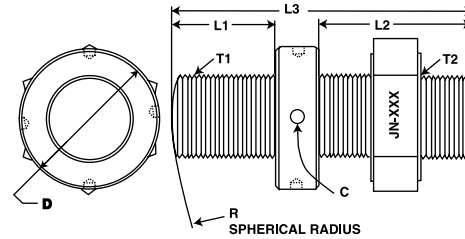
For compression applications only, an INTERFACE compression load cell should usually be specified. Compression load cells are usually smaller, less expensive and have an integral load button.



P/N	A	B	C	D	F
LB-101 (M)	0.94	1.06	1.25	1.00	5/8-18 UNF-3A (M16x2)
LB-102 (M)	1.25	1.75	1.56	0.69	1 1/4-12 UNF-3A (M32x2)
LB-103 (M)	1.75	2.50	3.75	2.12	1 3/4-12 UNF-3A (M42x2)
LB-104 (M)	2.75	4.00	5.00	3.12	2 3/4-8 UNF-3A (M72x2)

(M) suffix for metric threads

# Calibration Adaptors

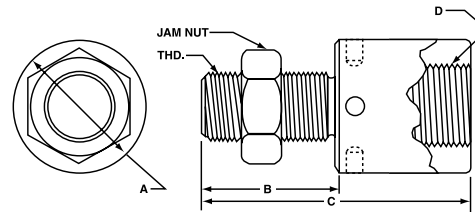


CALIBRATION ADAPTORS									
MODEL	JAM NUT INCLUDED	SIZE T1 TO T2	APPLICATION	DIMENSIONS IN INCHES					
				C	D	L1	L2	L3	R
CA-101	JN-103	5/8-18 to 5/8-18	1X10 to 10K	1/4	1 1/4	3/4	1 9/16	2 13/16	6
CA-102	JN-105	1 1/4-12 to 1 1/4-12	1X20 to 50K	1/4	2	1 1/2	2 3/16	4 3/16	6
CA-103	JN-106	1 3/4-12 to 1 3/4-12	1X32 to 100K	1/4	3	2	3 1/8	6	12
CA-105	JN-106	1 3/4-12 to 2 3/4-8	1X32 to 100K	1/4	3 1/2	2	4 7/8	7 3/8	12
CA-104	JN-107	2 3/4-8 to 2 3/4-8	1X40 to 200K	5/16	3 1/2	2 1/2	4 7/8	8 1/8	12
METRICS									
CA-201	JN-203	M16X2 to M16X2	1X10 to 50KN	1/4	1 1/4	3/4	1 9/16	2 13/16	6
CA-202	JN-205	M33X2 to M33X2	1X20 to 250KN	1/4	2	1 1/2	2 3/16	4 3/16	6
CA-203	JN-206	M42X2 to M42X2	1X32 to 450KN	5/16	2 15/16	1 13/16	3 3/16	5 3/4	12
CA-204	JN-207	M72X2 to M72X2	1X40 to 900KN	5/16	4 1/4	2 3/4	4 3/4	8 1/4	12

Material: Heat treated steel.

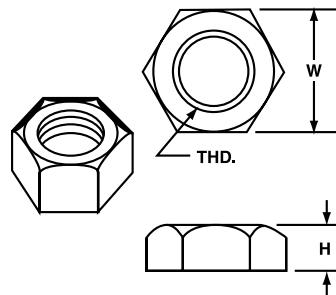
Note: X refers to Low Profile™ Load Cell model numbers. For example, 1X10 could be 1010, 1110, or 1210.

# Thread Adaptors



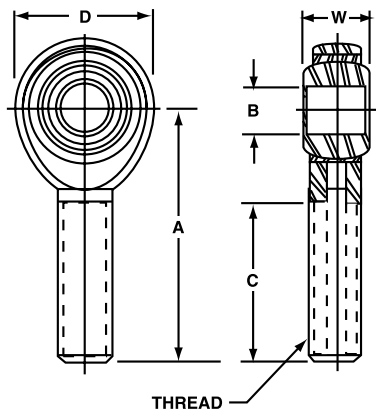
THREAD ADAPTORS							
MODEL	JAM NUT INCLUDED	SIZE MALE to FEMALE	APPLICATION	DIMENSIONS IN INCHES			
				A	B	C	D
TA-102	N/A	1/4-28 to 1/2-20	SM & SSM TO 250	0.75	0.38	1.50	1/2-20x.63
TA-103	N/A	1/4-28 to 3/8-24	SM & SSM TO 250	0.75	0.38	1.50	3/8-24x.50
TA-106	N/A	1/4-28 to 5/8-18	SM & SSM TO 250	1.19	0.44	1.56	5/8-18x.63
THD-101	JN-103	5/8-18 to 1/2-20	LOW PROFILES TO 10K	1.25	1.75	3.19	1/2-20x.50
THD-112	JN-103	5/8-18 to 1-14	LOW PROFILES TO 10K	1.62	1.75	4.56	1-14x1.25
THD-153	JN-105	1 1/4-12 to 1-14	LOW PROFILES 25K TO 50K	2.00	2.50	4.50	1-14x1.0
THD-103	JN-105	1 1/4-12 to 1 1/2-12	LOW PROFILES 25K TO 50K	2.50	2.34	4.42	1 1/2-12x1.40
THD-163	N/A	1 1/4-12 to 1 1/2-12	LOW PROFILES 25K TO 50K	2.50	1.50	3.58	1 1/2-12x1.40
THD-143	JN-105	1 1/4-12 to 2-12	LOW PROFILES 25K TO 50K	3.38	2.34	5.89	2-12x2.62
THD-144	N/A	1 1/4-12 to 2-12	LOW PROFILES 25K TO 50K	3.38	1.50	5.05	2-12x2.62
THD-114	JN-106	1 3/4-12 to 3-8	LOW PROFILES TO 100K	4.00	3.75	9.62	3-8x4.50
THD-115	N/A	1 3/4-12 to 3-8	LOW PROFILES TO 100K	4.00	1.75	7.62	3-8x4.50
THD-105	JN-107	2 3/4-8 to 4-8	LOW PROFILES TO 200K	5.50	5.25	13.0	4-8x6.00
THD-106	N/A	2 3/4-8 to 4-8	LOW PROFILES TO 200K	5.50	2.75	10.5	4-8x6.00

# Jam Nuts



JAM NUTS (Heat treated Steel Grade 8)			
MODEL	THD	DIMENSIONS IN INCHES	
		H	W
JN-101	1/4-28	5/32	7/16
JN-102	1/2-20	5/16	3/4
JN-103	5/8-18	3/8	15/16
JN-104	3/4-16	27/64	1 1/8
JN-105	1 1/4-12	23/32	1 7/8
JN-106	1 3/4-12	1	2 3/4
JN-107	2 3/4-8	1 1/2	4 1/4
DIMENSIONS IN MILLIMETERS			
JN-201	M6X1	3	10
JN-202	M12X1.75	6	19
JN-203	M16X2	8	24
JN-204	M27X2	14	48
JN-205	M33X2	16	48
JN-206	M42X2	20	70
JN-207	M72X2	35	110

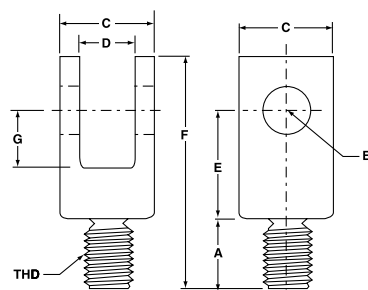
## Rod End Bearings



ROD END BEARINGS								
MODEL	THD	APPLICATION	JAM NUT INCLUDED	DIMENSIONS IN INCHES				
				B	W	C	D	A
REB-104	1/4-28	SM-10 THRU 250, SSM-50 THRU 250	JN-101	1/4	3/8	1	3/4	1 9/16
REB-106	1/2-20	SM-500, 1000, SSM-500, 1000 SSM-2000, & 3000	JN-102	1/2	5/8	1 1/2	1 5/16	2 7/16
REB-101	5/8-18	1110 & 1210-300 THRU 10K, SSM-5K	JN-103	5/8	3/4	1 5/8	1 1/2	2 5/8
REB-102	1 1/4-12	1120 & 1220-25K, 50K	JN-105	1	1 3/8	2 11/32	2 3/4	4 1/8

NOTE: When connecting a ROD END BEARING directly to a LOAD CELL, use of the JAM NUT is recommended.

## Clevises

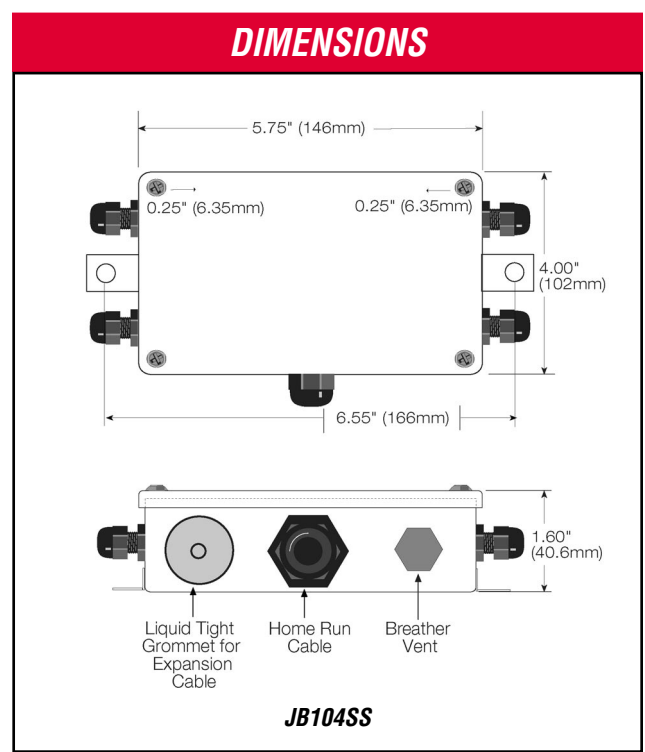


CLEVISES										
MODEL	MATERIAL	THD	APPLICATION	DIMENSIONS IN INCHES						
				A	B	C	D	E	F	G
CLV-104	ALUMINUM	1/4-28	SM-10 THRU 250 SSM-50 THRU 250	5/16	.251 ±.001	3/4	377 ±.001	3/4	1 7/16	7/16
CLV-105	ALUMINUM	1/2-20	SM-500,1000 SSM-500 THRU 1000	1/2	.501 ±.001	1 1/2	.627 ±.001	1 1/2	2 3/4	3/4
CLV-106	H.T. STEEL	1/2-20	SSM-2000,3000	9/16	.501 ±.001	1	.627 ±.001	1 1/2	2 7/16	3/4
CLV-101	H.T. STEEL	5/8-18	1110 & 1210-300 THRU 10K,SSM-5K	7/8	.626 ±.001	1 1/4	.752 ±.002	1 1/2	3 1/8	7/8
CLV-102	H.T. STEEL	1 1/4-12	1120 & 1220-25K, 50K	1 3/8	1.001 ±.001	2 1/2	1.380 ±.002	2 7/8	5 3/4	1 5/8

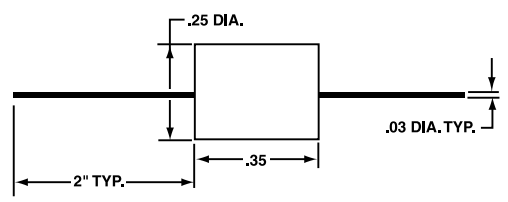
# Junction Boxes

In its most basic form a junction box provides a convenient method for wiring multiple load cells to a single indicator. Junction boxes are commonly used in weighing applications where a tank or scale is supported by more than one load cell. The individual load cell cables are wired into the junction box and then a single cable connects the junction box to the instrumentation.

The JB104SS is a small 4x6.5x1.75 inch stainless steel NEMA 4 rated box suitable for installations where space is limited. Standard configuration is for up to 4 load cells and provides three trim ranges; no trim, 10% and 30%. Spring clips are used for the load cell connections.

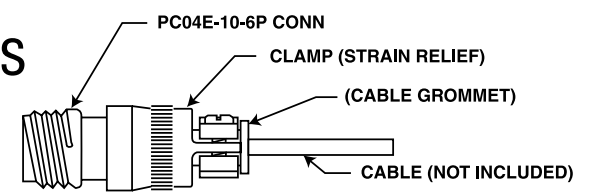


# RCAL Resistors



RCAL RESISTORS		
MODEL	RESISTANCE (Kohm)	APPLICATION
RS-100-30K	30 ±0.01%	4mV/V Load Cells
RS-100-40K	40 ±0.01%	3mV/V Load Cells
RS-100-60K	60 ±0.01%	2mV/V Load Cells
RS-100-120K	120 ±0.01%	1mV/V Load Cells

# Mating Connector Assemblies



# Mating Connectors

TRANSDUCER		MATING CONNECTOR	
Model	Receptacle Type	Plug Type	Order Number
1000, 1100, 1200 Standard	PC04E-10-6P	PC06W-10-6S	MC-001
1000, 1100, 1200 Bayonet	PT02E-10-6P	PT06A-10-6S (SR)	CN-207
1216	PT02E-12-8P	PT06A-12-8S (SR)	MC-002
1500	PT02E-10-6P	PT06A-10-6S (SR)	CN-207
1600, 1800	PT02E-12-8P	PT06A-12-8S (SR)	MC-002
2420, 2430	PTW1H-10-6P	PT06A-10-6S (SR)	CN-207
2440, 2450	MS3102E-14S-6P	MS3106A-14S-6S	CN-208
2160, 2161	MS3102A-14S-5P	MS3106A-14S-5S	CN-214
5200	PC04E-10-6P	PC06W-10-6S	MC-001
WMC-20K, 30K, 50K	PT02E-10-6P	PT06A-10-6S (SR)	CN-207
SSM	PC04E-10-6P	PC06W-10-6S	MC-001

# Transducer Interconnect Cable Assemblies

For connecting transducers with receptacles to instrumentation

## INTERCONNECT CABLE ASSEMBLY

		INSTRUMENT END				
TRANSDUCER	TRANSDUCER END	UNIVERSAL	9820, 9300, SGA, DCA, DMA	9830, 9840	9850	9320
Model	Plug Type	Pigtail	Screw Term	DE-9P	DE-9P	Binder
1000, 1100, 1200 Standard	PC06A-10-6S(SR)	CT-101-10	CT-101-10	CT-173-10	CT-516-10	CT-236-10
1000, 1100, 1200 Bayonet	PT06A-10-6S(SR)	CT-152-10	CT-152-10	CT-175-10	CT-249-10	CT-239-10
1216	PT06A-12-8S(SR)	CT-222-10	CT-222-10	CT-246-10	*	*
1500	PT06A-10-6S(SR)	CT-152-10	CT-152-10	CT-175-10	CT-249-10	CT-239-10
1600, 1800	PT06A-12-8S(SR)	CT-153-10	CT-153-10	CT-177-10	*	CT-237-10
2420, 2430	PT06A-10-6S(SR)	CT-179-10	CT-179-10	CT-254-10	CT-251-10	CT-253-10
2440, 2450	MS3106A-14S-6S	CT-204-10	CT-204-10	CT-260-10	*	CT-252-10
2160, 2161	MS3106A-14S-5S	CT-259-10	CT-259-10	CT-191-10	*	CT-255-10
5200	PC06A-10-6S(SR)	CT-101-10	CT-101-10	CT-173-10	*	CT-236-10
WMC-20K, 30K, 50K	PC06A-10-6S(SR)	CT-179-10	CT-179-10	CT-254-10	*	CT-253-10
SSM	PC06A-10-6S(SR)	CT-101-10	CT-101-10	CT-173-10	*	CT-236-10

### CABLE SPECIFICATION FOR ABOVE ASSEMBLIES

**NOTE:** "CT" prefix on cable assembly order numbers is for the most common polarity which is tension upscale. For compression upscale substitute "CC".

"-10" suffix on cable assembly part number is the most common cable length of 10 ft. Other lengths may be ordered by substituting the desired length in feet.

**EXAMPLE:** For a 20 ft cable to connect to a model 1221HL-50K transducer and have the convention of the green pigtail as + signal for a compression load, order CC-101-20.

\*Call factory for more information.

### INSTRUMENT CONNECTION SELECTION GUIDE

INSTRUMENT		EXTRA MATING PLUG		Order number for extra plug plus installation on end of transducer integral cable	
Model	Receptacle	Type	Order Number	Tension Upscale	Compression Upscale
9320	Binder	Binder	CN-219	MIC-9320-T	MIC-9320-C
9830	DE-9S	DE-9P	CN-212	MIC-9830-T	MIC-9830-C
9840	DE-9S	DE-9P	CN-212	MIC-9840-T	MIC-9840-C
9850	DE-9S	DE-9P	CN-212	MIC-9850-T	MIC-9850-C
500	DE-9S	DE-9P	CN-212	MIC-500-T	MIC-500-C

Instruments not listed use screw terminal connections.

# Electrical Information

Load Cell Series	Cell Type	Upscale (4) Mode	Integral Cable Wiring	Std. Cable Type	Cable Length, Feet (5)	Connector Wiring	Mating Connector (2)
1000	Univ.	Tension	Fig. W1	A	10	Fig. C1	PC06W-10-6S(SR)
1100	Univ.	Tension	Fig. W1	A	10	Fig. C1	PC06W-10-6S(SR)
1100	Comp.	Tension	Fig. W1	A	10	Fig. C1	PC06W-10-6S(SR)
1200	Univ.	Tension	Fig. W1	A	10	Fig. C1	PC06W-10-6S(SR)
1200	Comp.	Comp.	Fig. W1	A	10	Fig. C1	PC06W-10-6S(SR)
1500	Univ.	Tension	—	—	—	Fig. C1	PT06A-10-6S(SR)
1600	Univ.	Tension	—	—	—	Fig. C2	PT06A-12-8S(SR)
1600	Comp.	Tension	—	—	—	Fig. C2	PT06A-12-8S(SR)
1700	Univ.	Tension	—	—	—	Fig. C6	PT06A-10-6S(SR)
1800	Univ.	Tension	—	—	—	Fig. C2	PT06A-12-8S(SR)
3200	Univ.	Tension	Fig. W2	B	20	—	—
3200	Comp.	Tension	Fig. W2	B	20	—	—
4200	Comp.	Tension	Fig. W2	B	20	—	—
4600	Comp.	Tension	Fig. W2	B	20	—	—
5200	Univ.	Tension (1)	Fig. W1	A	10	Fig. C1	PC06W-10-6S(SR)
SSB	Comp.	Comp.	Fig. W2	C	5	—	—
MB, MBP	Comp.	Comp.	Fig. W2	C	5	—	—
SM	Univ.	Tension	Fig. W2	C	5	—	—
SSM	Univ.	Tension	Fig. W2	A	10	Fig. C1	PC06W-10-6S(SR)
SMT	Univ.	Tension	Fig. W2	D	5	—	—
SPI	Univ.	Comp.	Fig. W2	C	5	—	—
SML	Univ.	Tension	Fig. W2	D	5	—	—
LBM	Comp.	Tension	Fig. W2	G	5	—	—
LBS	Comp.	Tension	Fig. W2	G	5	—	—
LoadCheck	Comp.	Tension	Fig. W1	A	10	—	—
LoadTrol	Comp.	Comp.	—	Note (3)	Note (3)	Note (3)	Note (3)
LW	Comp.	Comp.	Fig. W2	—	5	—	—
WeighCheck	Comp.	Tension	Fig. W2	B	30	—	—
WMC	Univ.	Tension	Fig. W3	G	—	—	—
WMC $\geq$ 15K	Univ.	Tension	—	—	—	Fig. C3	PT06A-10-6S(SR)
2410-2430	Univ.	Tension	—	—	—	Fig. C3	PT06A-10-6S(SR)
2440-2450	Univ.	Tension	—	—	—	Fig. C3	MS3106A-145-6S
2100	Univ.	Tension	—	—	—	Fig. C4	MS3106A-145-5S
2100	Comp.	Tension	—	—	—	Fig. C4	MS3106A-145-5S
MRT	Torque	CW	W2	D	5	—	—
ULC	Univ.	Tension	W2	D	5	—	—
MCC	Comp.	Comp.	W2	E	5	—	—
CX	—	—	—	—	—	Fig. C5	PT06A-12-8S(SR)

Notes: (1) Thrust axis only.

(2) Mating connector for the stock version of cell. Consult factory for alternate connectors and specials.

(3) Consult factory. Several connectors and mating cable types are available.

(4) Indicates the loading direction which causes a positive output.

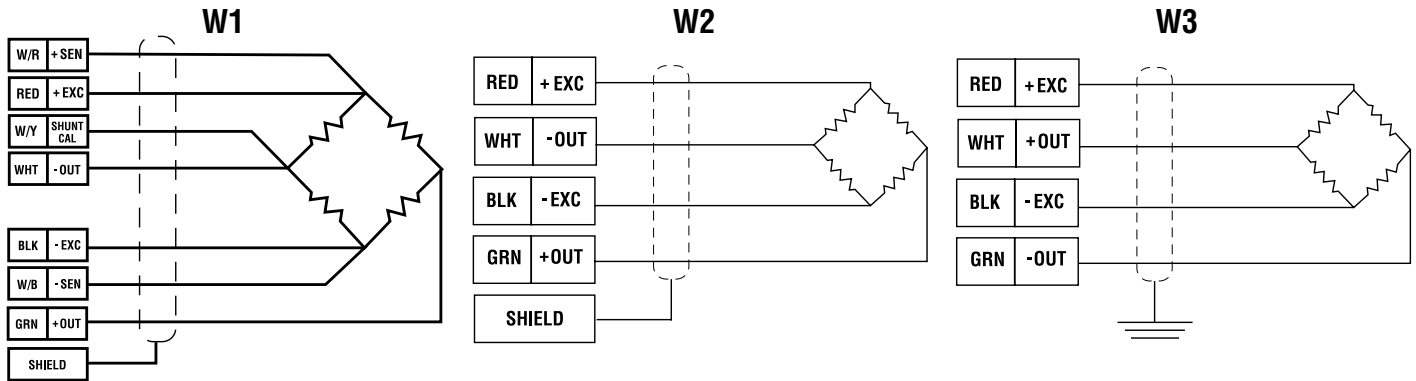
(5) Stock length; other lengths available on special order.

## LOAD CELL INTEGRAL CABLES

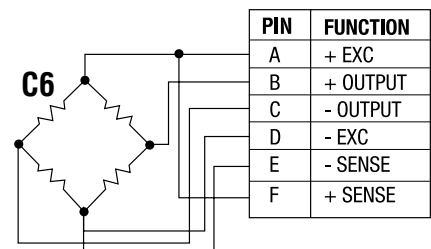
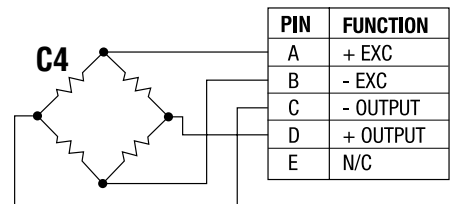
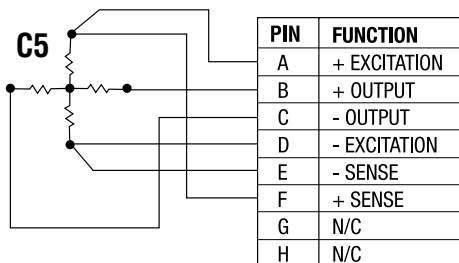
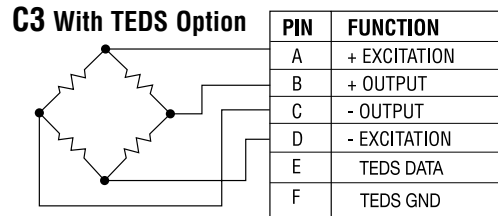
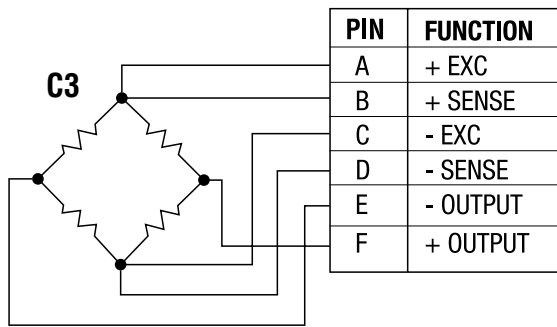
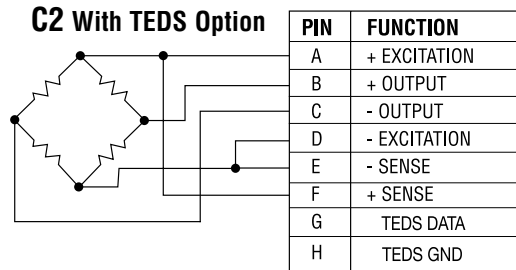
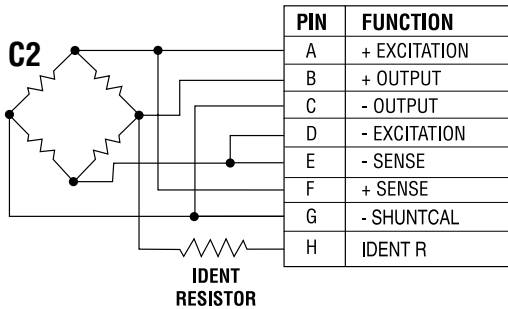
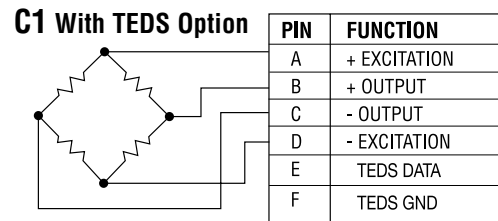
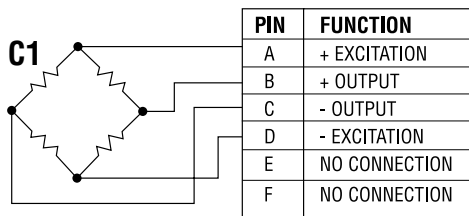
Cable Type	Wire Size	No. of Wires	Shield	Description
A	22 AWG	7	Braid	Heavy-duty, PVC jacket
B	22 AWG	4	Braid	Heavy-duty, polyurethane jacket
C	28 AWG	4	Braid	Tough, clear PVC jacket
D	28 AWG	4	Spiral	Ultra-flexible, black PVC jacket
E	30 AWG	4	Braid	Ultra-flexible, gray PVC jacket
F	20 AWG	4	Braid	Teflon jacket
G	30 AWG	4	Braid	Teflon jacket

# Wiring Diagrams

## LOAD CELL CABLE WIRING



## LOAD CELL CONNECTOR WIRING



# Load Cell Terms & Definitions

This document defines the terminology and performance parameters pertaining to engineering specifications of load cell products. The objective of this terminology standard is to promote effective communication of specifications and to constitute a reference for uniformity. The definitions herein are generally compatible with common understanding in the load cell community and are an expansion of those found in "Load Cell Terminology and Test Procedure Recommendations," Third Edition, 1985, Scale Manufacturers Association, and in OIML International Recommendation R60, 1991 Edition. This document includes modifications to the definitions in the above referenced standards to correct some of their inconsistencies and inadequacies.

For convenience, terms which are defined in this standard are printed in upper case when used in the definition of another term.

## **AMBIENT TEMPERATURE**

The temperature of the medium surrounding the LOAD CELL.

## **AXIAL LOAD**

A load applied along the PRIMARY AXIS.

## **BAROMETRIC SENSITIVITY**

The change in ZERO BALANCE due to a change in ambient barometric pressure. Normally expressed in units of %RO/atm.

## **CALIBRATION**

The comparison of LOAD CELL OUTPUT against standard test loads.

## **CAPACITY**

The maximum AXIAL LOAD a LOAD CELL is designed to measure within its specifications.

## **COMBINED ERROR**

The maximum deviation of the CALIBRATION curve from the straight line drawn between MINIMUM LOAD OUTPUT and MAXIMUM LOAD OUTPUT, normally expressed in units of %FS. Both ascending and descending curves are considered.

## **CREEP**

The change in LOAD CELL SIGNAL occurring with

time while under load and with all environmental conditions and other variables remaining constant. Normally expressed in units of % of applied load over a specified time interval. It is common for characterization to be measured with a constant load at or near CAPACITY.

## **CREEP RECOVERY**

The change in LOAD CELL SIGNAL occurring with time immediately after removal of a load which had been applied for a specified time interval, environmental conditions and other variables remaining constant during the loaded and unloaded intervals. Normally expressed in units of % of applied load over a specified time interval. Normally the applied interval and the recovery interval are equal. It is common for characterization to be measured with a constant load at or near CAPACITY.

## **CREEP RETURN**

The difference between LOAD CELL SIGNAL immediately after removal of a load which had been applied for a specified time interval, environmental conditions and other variables remaining constant during the loaded interval, and the SIGNAL before application of the load. Normally expressed in units of % of applied load over a specified time interval. It is common for characterization to be measured with a constant load at or near CAPACITY.

## **DEFLECTION** ☑

The displacement of the point of AXIAL LOAD application in the PRIMARY AXIS between the MDL and MDL+CAPACITY load conditions.

## **ECCENTRIC LOAD**

Any load applied parallel to but not concentric with the PRIMARY AXIS.

## **FULL SCALE or FS**

The OUTPUT corresponding to MAXIMUM LOAD in any specific test or application.

## **HYSTERESIS**

The algebraic difference between OUTPUT at a given load descending from MAXIMUM LOAD and OUTPUT at the same load ascending from MINIMUM LOAD. Normally expressed in units of %FS. It is common for characterization to be measured at 40-60% FS.

☑ See APPENDIX articles for more detailed information



**INPUT RESISTANCE**

The resistance of the LOAD CELL circuit measured at the excitation terminals with no load applied and with the output terminals open-circuited.

**INSULATION RESISTANCE**

The DC resistance measured between the bridge circuit and the case. Normally measured at 50 VDC.

**LOAD CELL**

A device which produces an OUTPUT proportional to an applied force load.

**MAXIMUM AXIAL LOAD, SAFE**

The maximum AXIAL LOAD which can be applied without producing a permanent shift in performance characteristics beyond those specified. Normally expressed in units of % CAPACITY.

**MAXIMUM LOAD**

The highest load in a specific test or application, which may be any load up to and including CAPACITY + MINIMUM LOAD, but may not exceed CAPACITY significantly.

**MAXIMUM AXIAL LOAD, ULTIMATE**

The maximum AXIAL LOAD which can be applied without producing a structural failure. Normally expressed in units of % CAPACITY.

**MAXIMUM LOAD AXIS MOMENT, SAFE**

The maximum moment with respect to the PRIMARY AXIS which can be applied without producing a permanent shift in performance characteristics beyond those specified.

**MAXIMUM MOUNTING TORQUE, SAFE**

The maximum torque which can be applied concentric with the primary axis without producing a permanent shift in performance characteristics beyond those specified.

**MAXIMUM SIDE LOAD, SAFE**

The maximum SIDE LOAD which can be applied without producing a permanent shift in performance characteristics beyond those specified.

**MEASURING RANGE**

The difference between MAXIMUM LOAD and MINIMUM LOAD in a specific test or application. It may not exceed CAPACITY.

**MINIMUM DEAD LOAD or MDL**

The smallest load for which specified performance will be met. It is normally equal to or near NO LOAD in single mode applications and is of necessity equal to NO LOAD in double mode applications.

**MINIMUM LOAD**

The lowest load in a specific test or application, differing from NO LOAD by the weight of fixtures and load receptors which are attached plus any intentional pre-load which is applied.

**MODE**

The direction of load. tension & compression are each one mode.

**NATURAL FREQUENCY** 

The frequency of free oscillations under conditions of NO LOAD.

**NO LOAD**

The condition of the LOAD CELL when in its normal physical orientation, with no force input applied, and with no fixtures or load receptors attached.

**NONLINEARITY**

The algebraic difference between OUTPUT at a specific load and the corresponding point on the straight line drawn between MINIMUM LOAD and MAXIMUM LOAD. Normally expressed in units of %FS. It is common for characterization to be measured at 40-60 %FS.

**NONREPEATABILITY**

The maximum difference between OUTPUT readings for repeated loadings under identical loading and environmental conditions. Normally expressed in units of %RO.

**OUTPUT**

The algebraic difference between the SIGNAL at applied load and the SIGNAL at MINIMUM LOAD.

**OUTPUT RESISTANCE**

The resistance of the LOAD CELL circuit measured at the SIGNAL terminals with no load applied and with the excitation terminals open-circuited.

**PRIMARY AXIS**

The axis along which the LOAD CELL is designed to be loaded.

See APPENDIX articles for more detailed information

# Load Cell Terms & Definitions, Continued

## **RATED OUTPUT or RO**

The OUTPUT corresponding to CAPACITY, equal to the algebraic difference between the SIGNAL at (MINIMUM LOAD + CAPACITY) and the SIGNAL at MINIMUM LOAD.

## **RESOLUTION**

The smallest change in load which produces a detectable change in the SIGNAL.

## **SHUNT CALIBRATION**

Electrical simulation of OUTPUT by connection of shunt resistors of known values at appropriate points in the circuitry.

## **SIDE LOAD**

Any load at the point of AXIAL LOAD application acting at 90° to the PRIMARY AXIS.

## **SIGNAL**

The absolute level of the measurable quantity into which a force input is converted.

## **SPAN**

Another name for RATED OUTPUT.

## **STATIC ERROR BAND or SEB**

The band of maximum deviations of the ascending and descending calibration points from a best fit line through zero OUTPUT. It includes the effects of NONLINEARITY, HYSTERESIS, and non-return to MINIMUM LOAD. Normally expressed in units of %FS.

## **SEB OUTPUT**

A computed value for OUTPUT at CAPACITY derived from a line best fit to the actual ascending and descending calibration points and through zero OUTPUT.

## **SYMMETRY ERROR**

The algebraic difference between the RATED OUTPUT in tension and the average of the absolute values of RATED OUTPUT in tension and RATED OUTPUT in compression. Normally expressed in units of %RO.

## **TEMPERATURE EFFECT ON OUTPUT**

The change in OUTPUT due to a change in AMBIENT TEMPERATURE. Normally expressed as the slope of a chord spanning the COMPENSATED TEMPERATURE RANGE and in units of %/°F or %/100°F.

## **TEMPERATURE EFFECT ON ZERO**

The change in ZERO BALANCE due to a change in AMBIENT TEMPERATURE. Normally expressed as the slope of a chord spanning the COMPENSATED TEMPERATURE RANGE and in units of %RO/°F or %RO/100°F.

## **TEMPERATURE RANGE, COMPENSATED**

The range of temperature over which the LOAD CELL is compensated to maintain OUTPUT and ZERO BALANCE within specified limits.

## **TEMPERATURE RANGE, OPERATING**

The extremes of AMBIENT TEMPERATURE within which the LOAD CELL will operate without permanent adverse change to any of its performance characteristics.

## **TOGGLE**

Another name for ZERO FLOAT.

## **ZERO BALANCE**

The SIGNAL of the LOAD CELL in the NO LOAD condition.

## **ZERO DEAD BAND**

Another name for ZERO FLOAT.

## **ZERO FLOAT**

The shift in ZERO BALANCE resulting from a complete cycle of equal tension & compression loads. Normally expressed in units of %FS and usually characterized at FS = CAPACITY.

## **ZERO STABILITY**

The degree to which ZERO BALANCE is maintained over a specified period of time with all environmental conditions, loading history, and other variables remaining constant.

See APPENDIX articles for more detailed information

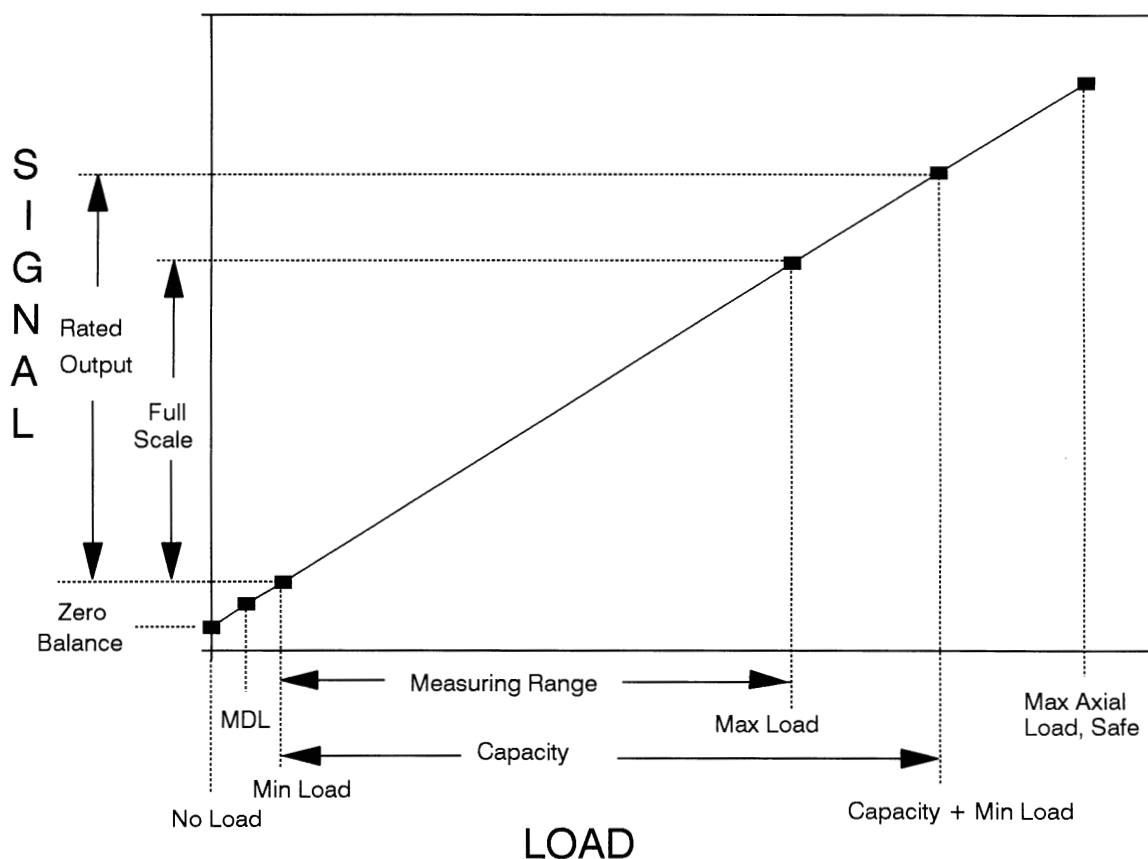


FIGURE 1. ILLUSTRATION OF TERMS

## ABBREVIATIONS

(All abbreviations are case-specific, are not to be pluralized, and do not use trailing periods.)

ampere	A	kilogram force	kgf	pound	lb
combined error	CE	kilonewton	kN	pound-inch	lb-in
degree Celsius	°C	kilopound (kip)	K	pound-foot	lb-ft
degree Fahrenheit	°F	kilopound force	K lbf	pound force	lbf
degree Kelvin	°K	meganewton	MN	pound per square inch	psi
foot	ft	meter	m	rated output	RO
foot-pound	ft-lb	milliamper	mA	static error band	SEB
full scale	FS	millimeter	mm	ton, metric	t
gram	g	millivolt	mV	volt	V
hertz	Hz	millivolt/volt	mV/V	volt direct current	VDC
inch	in	minimum dead load	MDL	volt alternating current	VAC
inch-pound	in-lb	newton	N	watt	W
kilogram	kg	newton-meter	Nm		

# Troubleshooting Guide for Interface Load Cells

## 1. INTRODUCTION

Performance of a load cell force (or weigh) measurement system is dependent upon the integrity of the physical installation, correct interconnection of the components, proper performance of the basic components which make up the system, and calibration of the system. Presuming that the installation was originally operating and was calibrated, troubleshooting can begin by checking the components individually to determine if they have been damaged or have failed. The basic components are:

- Load cells
- Mechanical supports and load connections
- Interconnecting cables
- Junction boxes
- Signal conditioning electronics

### 1.1 Mechanical Installation

Load Cells which are not mounted in accordance with the manufacturer's recommendations may not perform to manufacturer's specifications. It is always worthwhile to check:

- Mounting surfaces for cleanliness, flatness, and alignment
- Torque of all mounting hardware
- Load cell orientation: "Dead" end on mechanical reference or load forcing source, "live" end connected to the load to be measured. (Dead end is the end closest mechanically to the cable exit or connector.)
- Proper hardware (thread sizes, jam nuts, swivels, etc) as required to connect the load to the load cell.

A fundamental requirement is that there be one, and only one load path! This load path must be through the load axis of the load cell. This may sound elementary, however it is a commonly overlooked problem.

### 1.2 Electrical Installation:

Proper load cell performance is also dependent upon the electrical "system." The following items are common problem areas:

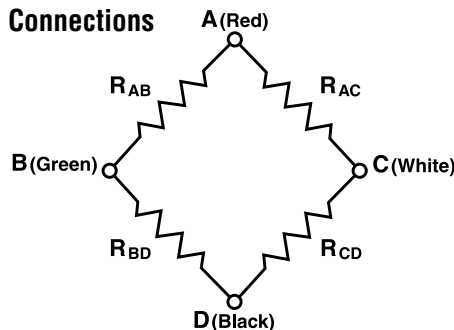
- Loose or dirty electrical connections, or incorrect connection of color coded wires.
- Failure to make use of remote sensing of excitation voltage on long cables.
- Incorrect setting of excitation voltage. (The best setting is 10 VDC, because that voltage is used to calibrate the load cell in the factory. The maximum voltage allowed is 15 or 20 volts, depending on the model. Some battery-operated signal conditioners use smaller voltages, down to 1.25 volts, to conserve battery power.)
- Loading of the bridge circuit. (Highly accurate load cell systems require highly accurate read-out instruments. Such instruments typically have very high input impedances to avoid circuit loading errors.)

## 2. LOAD CELL EVALUATIONS

It is quite easy to make a quick diagnostic check of a load cell. The procedure is quite simple and a minimum of equipment is required. Should it be determined that the load cell is at fault, the unit should be returned to the factory for further evaluation and repair as may be required. Many of the checks may be performed with an ohmmeter.

### 2.1 Check Bridge Circuitry and Zero Balance. (Numbers apply to standard 350 ohm bridges.)

#### Typical Connections



- Instrument required: Ohmmeter with 0.1 ohms resolution in the range of 250-400 ohms.
- Bridge Input Resistance:  $R_{AD}$  should be  $350 \pm 3.5$  ohms (unless the cell has “standardized output,” in which case the resistance should be less than 390 ohms)
- Bridge Output Resistance:  $R_{BC}$  should be  $350 \pm 3.5$  ohms
- Bridge Leg Resistances: Comparing the leg resistances at no load permits evaluation of the cause of any permanent damage in the load cell flexure. The “computed unbalance” of the bridge shows the general condition of the cell.
- The computed unbalance, in units of “mV/V,” is determined as follows:  
Unbalance =  $1.4 \cdot (R_{AC} - R_{AB} + R_{BD} - R_{CD})$
- The Zero Offset, in units of “% of Rated Output”, is determined as follows:  
Zero Offset =  $100 \cdot \text{Unbalance} \div \text{Rated Output}$

If the ohmmeter resolution is 0.1 ohm or better, then a computed Zero Offset of greater than 20 percent is a clear indication of overload. A computed zero balance of 10-20% is an indication of probable overload.

If the load cell has been overloaded, mechanical damage has been done that is not repairable, because overloading results in permanent deformation within the flexural element and gages, destroying the carefully balanced processing that results in performance to Interface specifications. While it is possible to electrically re-zero a load cell following overload, it is not recommended because this does nothing to restore the affected performance parameters or the degradation to structural integrity.

If the degree of overload is not severe the cell may in some cases be used at the user’s discretion, although some performance parameters may violate specifications and the cyclic life of the load cell may be reduced.

## 2.2 Insulation Resistance Tests

- Insulation resistance, shield to conductors: Connect all the conductors together, and measure the resistance between all those wires and the shield in the cable.
- Insulation resistance, load cell flexure to conductors: Connect all the conductors together, and measure the resistance between all those wires and the metal body of the load cell.

The tests described above can be performed using a standard ohm meter, although best results are obtained with a megohm meter. If resistance is beyond the standard ohmmeter range, about 10 megohms, the cell is probably OK. However, some kinds of electrical shorts show up only when using a megohm meter or with voltages higher than most ohmmeters can supply.

### CAUTION

Never use a voltage higher than 50 VDC or 35 VRMS AC to measure insulation resistance, or breakdown of the insulation between the gages and the flexure may result.

Low resistance (below 5000 megohms) is often caused by moisture or pinched wires. The cause and extent of damage must be established at the factory to determine if the load cell may be salvaged.

## 3. FACTORY EVALUATION

If the load cell is defective for reasons other than overload, return to factory for detailed evaluation. Factory evaluation may show that the cell is repairable or non-repairable and if repair or replacement will be under warranty. If non-warranty, the customer will be contacted with the cost of repairs and recalibration, and a delivery date after receipt of authorization to proceed.

# Load Cell Fatigue Theory

## BACKGROUND

Interface has specialized in fatigue-rated load cells and their applications since its founding in 1968. Fatigue rating is a distinct specification which guarantees the customer a load cell which has a service life of 100 million fully reversed loading cycles at full rated capacity.

The very first products at Interface were fatigue-rated load cells, and over the years a history has been built up by thousands of cells in use all over the world. Many have been supplied to major manufacturers of materials test machines and to major aerospace manufacturers, for use in long term structural fatigue test programs on aircraft, space, and automotive equipment. **No fatigue failure of any fatigue-rated Interface load cell, used within its ratings, has ever been reported.**

## FATIGUE FAILURE THEORY

It is well known that metals will fail in a statically loaded situation if the yield strength is exceeded. Inasmuch as load cells are structural members which are stressed in the course of their normal use, they are commonly given "ultimate overload" ratings in an effort to characterize the magnitude of static load they will withstand without failing structurally.

However, all metal structures, including load cells, are also subject to failure as a result of repetitive loadings which are much lower than the ultimate overload rating. This phenomenon is known as a fatigue failure, and it is due to the fact that the stress which a metal can withstand under cyclic loading usually becomes less and less as the number of cyclic loadings is increased.

The cause of this apparent anomaly can be explained by noting that metals are typically not perfectly homogeneous solids. They are composed of crystals, and at locations called grain boundaries, along slip planes or in a region of a microscopic

defect there can be minute strains under load which do not completely reverse during unload, leaving the material with a slight plastic deformation at the end of each complete cycle. This effect is highly dependent on the magnitude of the load and the number of cycles.

## ANATOMY OF A FATIGUE FAILURE

It is generally acknowledged that a structural fatigue failure develops in three stages:

1. Repeated cycling builds up local plastic deformation, and a microscopic crack is initiated.
2. The crack propagates and a larger section becomes weakened.
3. Stress concentration in the section of cracking increases rapidly, and continued cycling enlarges the crack until sudden fracture occurs.

## FATIGUE LIFE PREDICTION

Accurate prediction of fatigue life of any structure is not a reality. Well controlled tests on the most simple configurations of test specimens result in a wide scatter band of results. With complex structures typical of a load cell, analysis is even more complex. Theoretical analysis can produce approximations, however, which can be useful in estimating the margin of safety at which a particular load cell design is operating.

In materials science, the S-N curve is a well known tool. It is a graphical representation of the number of load cycles required to break a specimen, at a range of peak cyclic stress levels. S-N curves for the high quality materials used in Interface load cells have been experimentally determined, and are shown in Figure 1 for stainless steel and alloy steel, and in Figure 2 for aluminum alloy.

Thus, if the stress level is known, the fatigue life can be approximately known. However, there are factors which make fatigue life difficult to characterize.

Such factors include the shape of the loading curve, the frequency of the load cycling, residual stresses, stress concentrations due to material shape, state of stress, material condition, size, fabrication method, surface finish, corrosion, operating temperature, and operating atmosphere.

## LOAD CELL FATIGUE FAILURE MODES

### COMPONENTS SUBJECT TO FAILURE

There are two metal components in a load cell that must be considered in fatigue analysis, the flexure (spring element) and the strain gage (sensor).

1. The flexure bears the load; therefore failure of the flexure is structural.
2. Since the gages' function is electrical measurement of minute deflections, failure of the strain gages, on the other hand, is typically not structural; failure is noted by a shift in resistance or gage factor.

The relative propensity to first encounter flexure or strain gage fatigue failure depends upon the design of the transducer.

### FLEXURES

There are several metals used for flexures in Interface load cells including aircraft quality alloy steel, stainless steel, and high strength fatigue-resistant aluminum alloy. S-N curves for these three materials are presented in Figure 1 and Figure 2.

Stress is normally expressed in units of psi (pounds per square inch), but for convenience we use units of KSI which are equal to 1000 psi. Shear stress is on the vertical axis, corresponding to the state of stress in Low Profile load cells. Readers with some materials science familiarity will recognize that classical fatigue strength for these materials is higher than indicated in the figures. This is because classical data is for bending or direct stress, whereas Interface fatigue-rated cells operate in shear mode. This analysis therefore appropriately uses the required factor for shear, avoiding a falsely optimistic result.

Note that the shear S-N curve for steel becomes essentially flat at about 55 KSI. This is a characteristic of steel. The stress level at the flat portion of the curve is called the **endurance limit**. If operated below this limit, theoretically the material will endure an infinite number of load cycles. Nonferrous metals do not generally exhibit an endurance limit, their curves continuing on with a small slope.

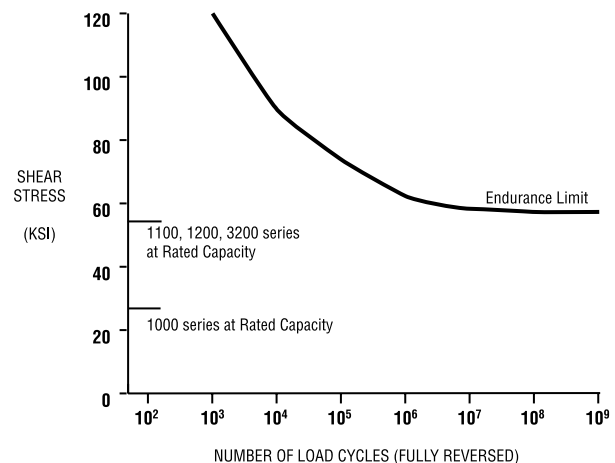


FIG. 1 S-N CURVE, INTERFACE ALLOY STEEL AND STAINLESS STEEL

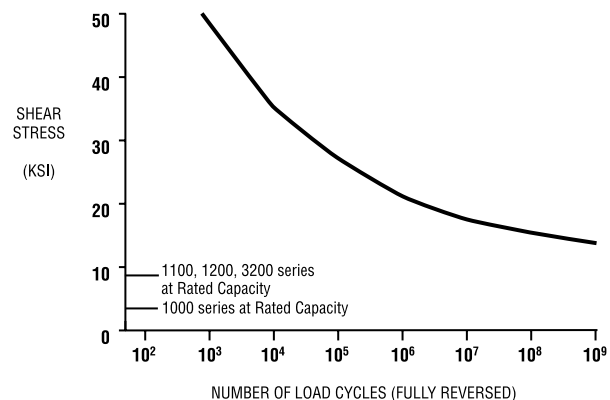


FIG. 2 S-N CURVE, INTERFACE ALUMINUM

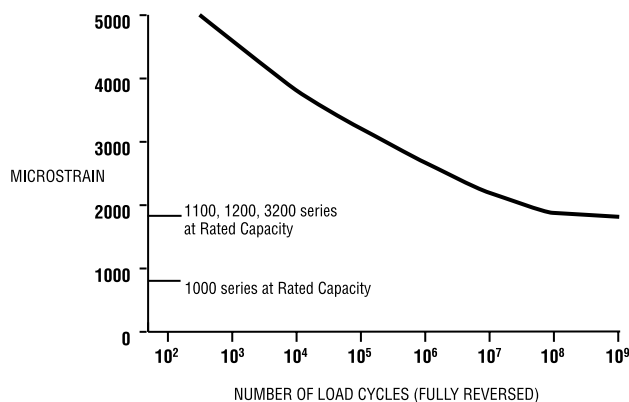
# Load Cell Fatigue, Continued

## GAGES

Interface strain gages are specially made of fatigue-resistant nickel-chromium alloy. Strain gage fatigue characteristics are most conveniently viewed in terms of strain rather than stress. Figure 3 shows a Strain-N curve for Interface strain gage material. Strain is a dimensionless quantity of normally very small magnitude. The microstrain unit is simply 106 strain units and is used for convenience. Stress and strain for any particular material are related by a constant which is the modulus of elasticity (30X106 for steel and 10X106 for aluminum), allowing convenient comparison of S-N curves and Strain-N curves.

### NOTE

The curves in Figures 1, 2 and 3 are for fully reversed load cycles, meaning that for 2000 microstrain as an example, a cycle starts at zero load and consists of one load to (+2000), one load to (-2000), with a return to zero.



**FIG. 3 STRAIN-N CURVE, INTERFACE STRAIN GAGES**

## COMPARISON OF LOADING LEVELS

Superimposed on the curves are operating levels of Interface Low Profile load cells by model series. This provides a convenient visualization of the fact that all of these load cells are designed to have very long, if not infinite, theoretical fatigue lives. Remember that in actual practice things are not necessarily so ideal. Therefore, in order to establish the correlation between theoretical and realizable fatigue life, actual test results are desirable.

## DESIGN VERIFICATION TESTS

### TEST PROTOCOL

Interface conducted Design Verification Tests to substantiate the theoretical life predictions by means of actual load tests of the product. Obviously, building up millions of load cycles on a high capacity load cell is not a trivial task. Many hours of costly machine time are required. Tests were conducted on three representative Interface Low Profile load cells: (1) an aluminum cell of 5,500 lbf capacity, (2) a steel cell of 11,000 lbf capacity, and (3) a steel cell of 22,000 lbf capacity.

Loading to 130% of rating was selected as an acceleration factor, to bring down the test time to a realizable length, since 100 million cycles at 1 hertz and 100% loading would consume 3 years and 2 months of testing, 24 hours per day. Based on the slopes of the S-N curves, a cycle acceleration factor of at least 10 can be achieved with 130% loading, thus ensuring that the more stringent test at 10<sup>7</sup> cycles will prove a fatigue life of 10<sup>8</sup> cycles at 100% loading.

### TEST RESULTS

Analysis of the test data showed that there were no indications of fatigue failure nor degradation of load cell performance outside specified limits, for the critical load cell parameters of output, zero balance, nonlinearity, hysteresis, and creep, during or after completion of the Verification Test program.



## BENEFITS OF REDUCED STRESS LEVELS

### LOWER STRESS BY DESIGN

Interface load cells are designed for optimum fatigue life. Other load cells are not necessarily equivalent. Table 1 is a comparison of actual strain levels in Low Profile™ and typical competitive load cells. The safety factors are a means of visualizing the design merit of the various designs. The value of fatigue rated load cells for fatigue applications is evident from the safety factor data. It is also apparent that Interface load cells with 4 mV/V output have lower stress levels and, therefore, more fatigue resistance than competitors' cells, even though their output is only 3 mV/V or less.

### LOWER STRESS, BY USER LIMITS

Note that the tests and S-N curves are based on fully reversed load cycles. This type of loading cycle is considerably more stringent than unidirectional loading, which is the more common application of load cells. If a fatigue load cell is repeatedly loaded in only one direction, the Goodman Law predicts that it can be loaded to about 133% of the bidirectional fatigue-rated capacity with no degradation of its fatigue rating. Conversely, unidirectional loading to a fatigue cell's rated capacity is much less stressful on the cell than bidirectional loading and can be expected to yield a fatigue life well beyond the number of cycles which could be reasonably and economically applied in a verification test program.

**TABLE 1. Low Profile Load Cell Strain and Safety Factor Comparison**

Design Characteristic	Interface 1000 Series (Fatigue)	Interface 1000 Series (Fatigue)	Interface 1100 Series 1200 Series	Interface 1100 Series 1200 Series 3200 Series 4200 Series 4600 Series	Competition Generic Load Cell
	Aluminum	Steel	Aluminum	Steel	Steel
Output, mV/V	1	2	2	4	3
Fatigue Life Rating (Cycles)	10 <sup>8</sup>	10 <sup>8</sup>			?
Microstrain at Rated Capacity	450	900	900	1800	1790 (1)
Max Microstrain on Flexure allowed for 10 <sup>8</sup> Cycle Life	1400	1850	1400	1850	1850
Max Microstrain on Gages allowed for 10 <sup>8</sup> Cycle Life	2000	2000	2000	2000	1400 (2)
Safety Factor, Flexure (Ratio allowed/actual strain)	3.1	2.1	1.6	1.0	1.0
Safety Factor, Gages (Ratio allowed/actual strain)	4.4	2.2	2.2	1.1	0.8

**NOTES: (1) In typical competitors' load cells, the copper-nickel alloy gages have approximately 20% lower Gage Factor than interface gages and lose approximately 10% of their natural output to temperature compensation circuitry, a loss which is not present with Interface self-compensated gages. The result is that generic 3 mV/V load cells are stressed about equally with Interface 4 mV/V load cells.**

**(2) Typical copper-nickel alloy gages have approximately 70% of the fatigue resistance of Interface nickel-chromium alloy gages.**

# Load Cell Resolution

INTERFACE Load Cells are constructed using electric resistance metal foil strain gages bonded to an elastic flexure element. The load cell is a passive analog device with continuous resolution limited ultimately by noise, due to electron motion on the order of 10<sup>-9</sup> volts (1 nanovolt). Therefore, practically speaking, resolution is limited by the type and quality of the electronic instrumentation used, rather than by the load cell itself. Many reasonably priced instruments can resolve 0.8 to 1.0 microvolt/count as a minimum signal level.

For example, consider a load cell with Rated Output of 3mV/V. Assume that 10VDC excitation is used. At Rated Output, the signal level produced would be:

$$3 \text{ mV/V} \times 10 \text{ V} = 30 \text{ mV}$$

If the indicating instrument can resolve 1 microvolt in the rightmost digit of the display, then:

$$\begin{aligned} \text{Resolution} &= \frac{1 \text{ } \mu\text{volt}}{30 \text{ mV}} \\ &= \frac{1 \text{ } \mu\text{volt}}{30,000 \text{ } \mu\text{volt}} \\ &= 0.000033, \text{ fraction of Rated Output} \\ &= 0.0033 \% \text{ of Rated Output} \end{aligned}$$

If, for example, an MB-5 (5 lbf Rated Capacity) load cell were being used, the resolution in pounds could be calculated as:

$$\begin{aligned} \text{Resolution} &= 5 \text{ lbf} \times 0.000033 \\ &= 0.00017 \text{ lbf} \end{aligned}$$

If an instrument capable of 0.5 microvolt resolution were used, the resolution would be approximately 1 part in 60,000 or 0.000083 pounds for the 5 pound capacity cell. Maximum resolution may be limited by the instrument to the total number of counts that can be displayed.

Another typical example would be the case where only a portion of the range of the load cell is to be used. If the maximum load on the MB-5 were to be 3 pounds, then the output would be:

$$\begin{aligned} 3 \text{ mV/V} \times 3 \text{ lbf} / 5 \text{ lbf} &= \\ 1.8 \text{ mV/V} & \end{aligned}$$

Using 10V excitation provides a signal of 18 mV output for 3 pounds input. If the instrument displays is to display 30,000 counts a signal strength of

$$\begin{aligned} 18 \text{ mV} / 30,000 \text{ counts} &= \\ 0.6 \text{ microvolt/count} & \end{aligned}$$

results in a display of 0.00015 pound/count resolution. Of course, the instrument must have a sensitivity of at least 0.6  $\mu$ volt/count for this example.

It can be seen from the above examples that the sensitivity and stability of the electronic instrumentation is critical, when high resolution is required. High electronic gain alone will not achieve good results if the zero stability or gain stability is poor because the readings will drift with time or temperature changes.

Also, keep in mind that excessive resolution can be detrimental in situations where the stability of the applied force is low, as in some hydraulic systems.

Generally, it is desired to read physical units instead of counts. Most instruments provide a count-by feature of 1, 2, 5 or 10 to facilitate this. For the above example, an instrument could be set up to read 30,000 counts by 2 for the 3 pound load, providing resolution of 0.0002 lbf Premium instruments are available that offer as good as 0.001  $\mu$ volt/count.

## Grounding and Shielding in Load Cell Installations

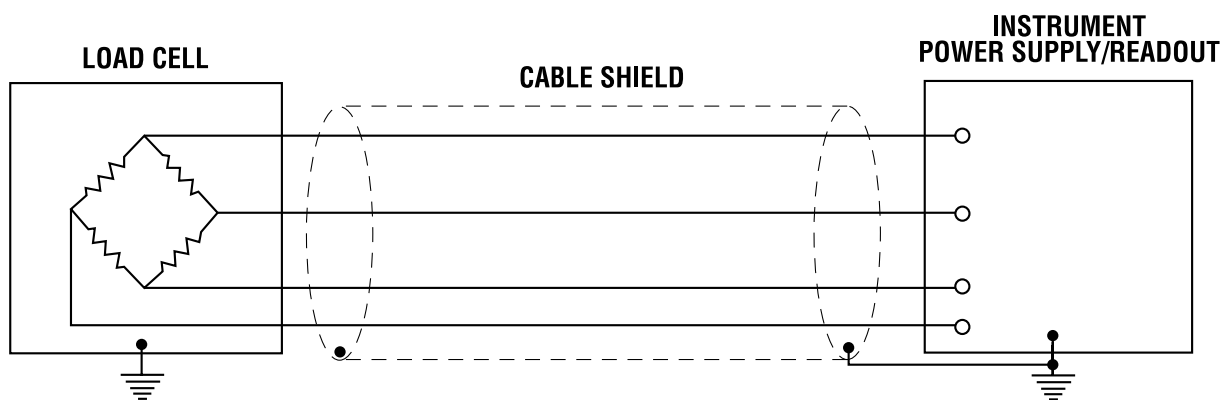
Proper grounding and shielding can be critical to the successful application of load cells generating low level signals. There is no “best way” to set up all systems and the specifics of the installation and associated instrumentation must be considered in arriving at a system configuration that is satisfactory.

The basic rule that should not be violated is that continuous ground loops should be avoided, i.e., a system should not be grounded at multiple points. This could occur, for example, if the shield of the load cell cable were grounded at both ends.

Interface load cell cables are supplied with a braided shield which provides protection from electrostatic interference when properly grounded. This shield is floating (not connected) at the load cell end so that a “ground loop” will not be inadvertently created.

A basic system layout that is easily achieved and usually is satisfactory is as follows:

The load cell case is grounded by mechanical attachment to the structure to which it is mounted. This structure should be properly grounded to the electrical circuits which drive the excitation for the load cell. The braided shield enclosing the load cell leads is grounded at the instrument and the instrument is grounded through the power cord.



# Excitation Voltage

## INTRODUCTION

Unless otherwise specified, all Interface load cells are calibrated with an excitation voltage of 10 VDC. Although Low Profile™ cells may be operated with excitation as high as 20 VDC, and Mini Series cells can be excited with up to 15 VDC, it is always best to operate a load cell at the same voltage used for the calibration, because certain parameters of the cell are affected by the applied voltage.

The basic construction of a load cell consists of strain gages bonded to a flexure inside the load cell with a very thin layer of an electrically insulating epoxy. Typically, four gages are connected together in a bridge circuit. When voltage is applied to the bridge, the current through the each gage generates heat, which is conducted through the epoxy into the larger mass of the flexure. Thus, the temperature of the bridge is always slightly higher than the flexure during normal operation.

## GAGE HEATING

Each 350 ohm leg of a bridge will dissipate over 71 milliwatts at 10 VDC excitation. Since power is proportional to the square of the voltage, the leg would be dissipating over a quarter of a watt at 20 VDC, but only 18 milliwatts at 5 VDC.

## ZERO BALANCE

Slight differences in the temperature coefficient of resistance in each leg of a bridge will cause the zero balance to shift slightly as the gage temperature changes. The effect is usually small. For example, a change of excitation from 10.00 VDC to 10.25 VDC will cause a zero shift of less than 0.0014% of rated output.

## SENSITIVITY

The gage factor of each gage is adjusted so as to compensate for the temperature coefficient of the modulus of the flexure. This matching is exactly valid only at an excitation of 10 VDC. An increase of excitation voltage to 10.25 VDC would lower the bridge sensitivity by only 0.001%, but use of 20 VDC would cause the sensitivity of a Low Profile cell to decrease by 0.07%, which could be significant. 20 VDC applied to Mini Series cell would cause a more serious effect due to gage heating, and could possibly even shorten the life of the cell.

## CREEP

Creep is influenced by temperature, but the magnitude and direction of the effect of large changes in applied voltage is not predictable.

At room temperature, changing the applied voltage from 10.00 VDC to 10.25 VDC causes a negligible effect. However, increasing the voltage on a Low Profile cell to 20 VDC could cause the creep to increase (or decrease) by less than 10% of the creep specification.

## CONCLUSION

Because of the inherent temperature stability of the design of Interface load cells, reasonable shifts in excitation voltage will result in parametric shifts which would not be detectable in most normal applications.

However, in applications where the load cell is to be used as a transfer standard, or where the stability of the cell's characteristics is necessary, precautions should be used to assure the stability of the excitation voltage.

# Moment Compensation

Do you know if you have an accurate force reading? In most applications it is difficult, if not impossible, to calculate or even estimate the effect of misalignments on the precision of a force measurement system. Moment sensitivity introduces errors into force measurements whenever forces cannot be applied precisely on-axis.

The Low Profile™ design by Interface has the intrinsic capability of canceling moment loads because of its radial design.

- The radial flexure beams are precision machined to balance the on-axis loading.
- The gages are precisely placed so that strains due to on-axis loads are additive and strains due to moment loads tend to cancel under actual moment loading.
- Interface uses eight gages, as opposed to the four used by many manufacturers, which helps to further minimize error from the loads not being perfectly aligned.
- Slight discrepancies between gage outputs are carefully measured and each load cell is adjusted to further reduce extraneous load sensitivity, to meet the specifications in the table below.

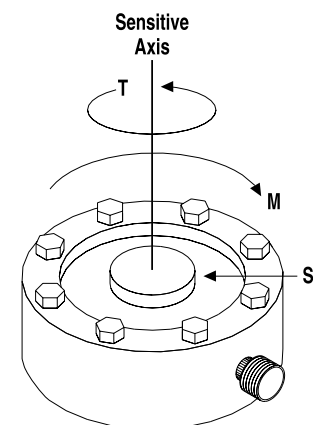
SERIES	S	M	T	Max Error Due To S or M (% Rated Range)
	Max Side Force (% Rated Range)	Max Moment (% Rated Range x 1 inch)	Max Torque (% Rated Range x 1 inch)	
1000	100%	100%	100%	0.10%
1100	40%	40%	40%	0.04%
1200	40%	40%	40%	0.10%
1500	40%	40%	60 in-lb	0.10%
1600	40%	40%	40%	0.04%
1800	100%	100%	100%	0.05%

## RESISTANCE TO EXTRANEOUS LOADS

The INTERFACE Low Profile™ design provides optimum resistance to extraneous loads to insure maximum operation life and minimize reading errors. The above chart tabulates maximum allowable extraneous loads that may be applied singularly without electrical or mechanical damage to the cell and the maximum error that can be expected from side forces or bending moments. Several loads can be tolerated simultaneously if the total combined load is not more than 100% of the allowable maximum extraneous load.

### Only Interface guarantees maximum extraneous load error and physically adjusts every load cell.

The Interface 1200 Series cells have eccentric load sensitivity less than  $\pm 0.25\%$  of reading per inch, and the 1000, 1100, and 1600 Series are further adjusted to come in at less than  $\pm 0.1\%$  of reading per inch. Most competing load cells will have extraneous load error ten, or more, times higher than with a superior Interface load cell.



# Temperature Compensation of Zero

## THE ADVANTAGES OF FULL TEMPERATURE RANGE COMPENSATION

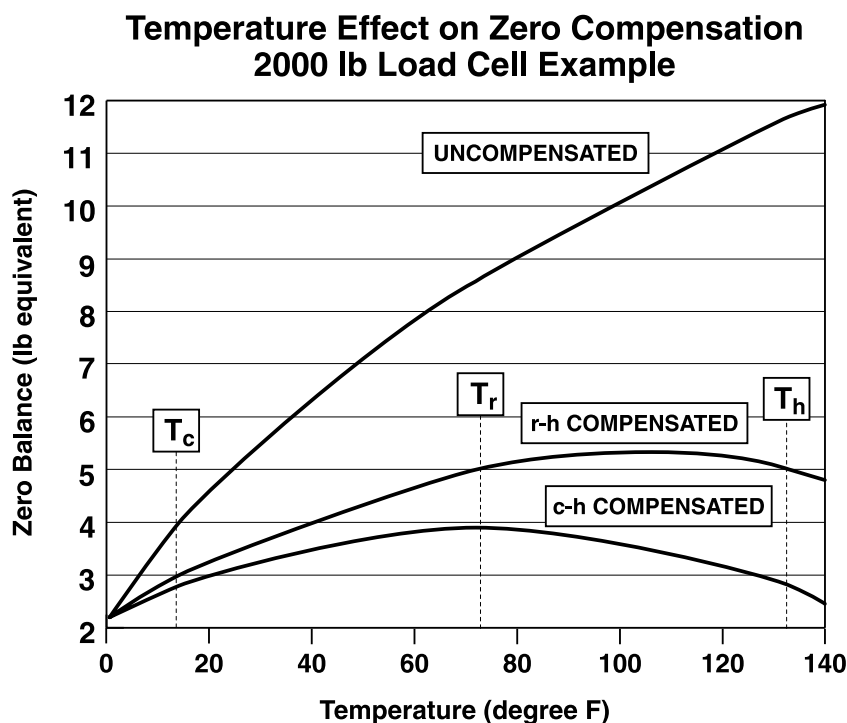
Temperature compensation of zero balance of load cells is conventionally performed using the chord-slope method. A partial-range implementation of this method, acting on a chord between room temperature and one extreme temperature is often used. A better implementation is full-range using three test temperatures and acts on a chord between the cold and hot extremes.

The top curve on the plot represents the zero temperature characteristics of an uncompensated load cell. This curve would ideally be a straight line but often has some nonlinearity such as shown here. The objective of the compensation process is to rotate the curve to a more level position. The middle curve represents a compensation based on room temperature ( $T_r$ ) and hot temperature ( $T_h$ ) and is consequently labeled “r-h compensated.” The process equalizes the zero balance values at  $T_r$  and  $T_h$ .

The lower curve represents a compensation based on cold temperature ( $T_c$ ) and hot temperature ( $T_h$ ) and is labeled “c-h compensated.” This process equalizes the zero balance values at  $T_c$  and  $T_h$ , producing a relatively full-range solution.

It is now apparent why the full range procedure (lower curve) is superior:

1. The slope of the characteristic near room temperature, the temperature at which most applications are of most interest, is near zero.
2. The total range of zero balance over the temperature range of the plot is minimal, approximately one-half that of the partial-range compensated curve in this example.



# Instrument Calibration Using a Shunt Calibration Resistor

## INTRODUCTION

Since a strain gage load cell is a passive electrical device, there exists a simple, yet effective, method for checking the calibration of a load cell system in the field or when a means of applying actual forces is unavailable. Inducing an electrical imbalance in the cell's bridge circuit will simulate the bridge imbalance caused by the application of actual forces to the load cell. Then the system gain may be adjusted so that the system output signal or display indicates a known force on the load cell.

### NOTE

Be careful not to use Shunt Calibration as a substitute for actual force calibration of a system. Shunt Calibration merely supplies a known signal to the signal conditioning unit, in order to check its gain or span adjustment.

## EQUIVALENT FORCE

On the Calibration Certificate for each Low Profile load cell, Interface routinely supplies the value of the equivalent force resulting from connecting a specified shunt calibration resistor across one leg of the bridge. For other types of cells, Interface will supply shunt calibration values on special request.

## SHUNT CALIBRATION CONNECTIONS

The standard connections used by Interface for tension & compression shunt calibration are specified on the Calibration Certification for each load cell.

It is important that the standard connection be used, although a similar (but not equal) output would result from connecting to the opposite leg of the bridge. Shunt calibration is relatively insensitive to small changes in temperature, although the calibration is precisely correct only at the "Lab Standard" conditions noted on the load cell's Calibration Certificate.

## RESISTOR VALUES

The following values of shunt resistors will cause an output of approximately 73% of Rated Output for the load cell types indicated when connected across the specified load cell terminals.

For 4 mV/V cells:

RS-100-30K (30,000 ohms,  $\pm 0.01\%$ )

For 3 mV/V cells:

RS-100-40K (40,000 ohms,  $\pm 0.01\%$ )

For 2 mV/V cells:

RS-100-60K (60,000 ohms,  $\pm 0.01\%$ )

For 1 mV/V cells:

RS-100-120K (120,000 ohms,  $\pm 0.01\%$ )

## PROCEDURE

To perform a shunt calibration, use the following procedure:

1. Remove or stabilize all forces on the load cell.
2. Adjust the display or indicator ZERO to read exactly zero.
3. Connect the shunt calibration resistor to the terminals specified on the Calibration Certificate, and adjust the SPAN or GAIN until the display reads the force value stated on the Certificate.
4. Repeat the procedure to insure a valid calibration.

# Load Cell Performance as Affected by Cable Length

## INTRODUCTION

For high accuracy force measurement the effects of the cable on the measurement must be considered. For constant voltage excitation there are two effects of significance. These are:

1. An effect on the sensitivity due to voltage drops over the cable length.
2. An effect on the thermal span characteristics of the load cell due to the change of cable resistance with temperature.

## CABLE LENGTH EFFECTS

If the load cell is sold with a cable of any length, the sensitivity is determined with the installed cable in calibration and this is not a problem. For load cells with connectors, or if the customer adds cable himself, there will be a loss of sensitivity of approximately 0.37% per 10 feet of 28 gage cable and .09% per 10 feet of 22 gage cable. This error can be eliminated if a six wire cable is run to the end of the load cell cable or connector and used in conjunction with an indicator that has sense lead capability.

## TEMPERATURE EFFECTS

Since cable resistance is a function of temperature, the cable response to temperature change affects the thermal span characteristics of the load cell/cable system. For 6-wire systems this effect is eliminated. For 4-wire cables the effect is compensated for in the standard cable lengths offered with the load cells if the load cell and cable are at the same temperature at the same time. For non-standard cable lengths, there will be an effect on thermal span performance. The effect of adding 10 feet of 28 gage cable is to cause a decrease in sensitivity with temperature equal to 0.0008%/°F (an amount equal to the standard Interface specification). For an added 10 feet of 22 gage cable the effect is to decrease sensitivity by .0002%/°F (one-fourth Interface spec). In many cases a customer can tolerate the degraded performance since our standard specification is extremely tight. However, for long cable runs or high accuracy applications, this can be a significant factor. In such cases, the best approach to the problem is to run six wires to the end of the standard cable length and sense the excitation voltage at that point. This eliminates the problem.



# Proprietary Interface Strain Gages

## UNIQUE FORMULATION, MADE IN-HOUSE

Interface load cells are constructed with strain gages manufactured by Interface from a unique proprietary alloy which provides inherently temperature compensated output. They are manufactured in our facility, in order to provide the necessary strict control of the formulation and the forming process.

## MATCHED TEMPERATURE CHARACTERISTICS

The temperature characteristic of the strain gages is adjusted by special processes to exactly match and counteract the temperature characteristic of the modulus of the load cell structural material, thereby providing output which is relatively temperature insensitive. The bridge circuit is simple, reliability is high, and changes in output sensitivity caused by temperature variations are automatically compensated.

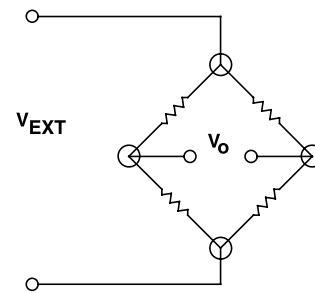
By contrast, competitive load cells use strain gage alloys which require the addition of temperature-sensitive resistors in the bridge circuit for compensation, thus reducing reliability. Since the resistors aren't in intimate thermal contact with the cell's flexure, the dynamic thermal performance, resistance to thermal gradients, and thermal response times are also severely affected.

## LONGER FATIGUE LIFE

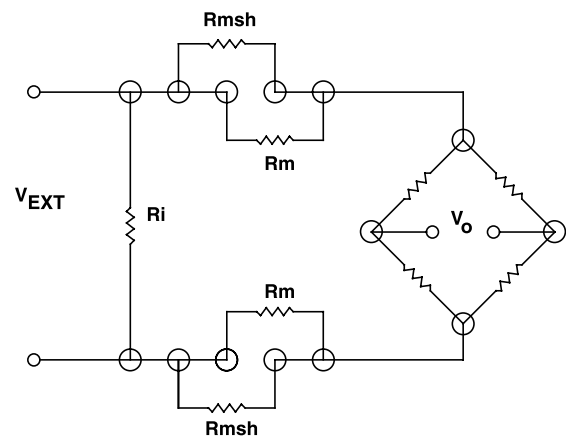
The Interface strain gage alloy provides significantly greater fatigue life than the widely-used constantan gages used by the competition.

## HIGHER OUTPUT

A third advantage of the Interface strain gage is higher output, providing higher signal-to-noise ratio and opportunity for higher resolution in precision measurement applications.



INTERFACE LOAD CELL



TYPICAL COMPETITOR'S LOAD CELL

$R_m$  = Modulus compensating resistor  
 $R_{msh}$  = Fine trim for  $R_m$   
 $R_i$  = Bridge input resistance trim

# Warranty & Repair Policy

## WARRANTY

1. Interface warrants that its products shall be free from defects in material and workmanship for the full warranty period under normal and proper use when correctly installed. The warranty period for most load cells is two years and for other products is one year, from date of shipment by Interface.
2. Any Interface product, which proves defective in material or in workmanship within the warranty period, will be repaired or replaced free of charge provided that the buyer; (1) provides Interface with satisfactory proof of the defect and that the product was properly installed, maintained and operated within the limits of rated and normal usage; (2) buyer obtains from Interface authorization to return the product; and (3) products claimed to be defective must be returned with transportation charges prepaid, and will be returned to buyer with transportation charges collect unless the item is found to be defective, in which case, Interface will pay the return transportation charges.
3. The remedy set forth herein does not apply to damage to or defects in any product caused by the buyer's misuse or neglect, nor does it apply to any product which has been repaired or disassembled which in the sole judgement of Interface affects the performance of the product.
4. Interface makes no warranty concerning components not manufactured by it. However, in the event of the failure of any component or accessory not manufactured by Interface, reasonable assistance will be given to buyer in obtaining from the respective manufacturer whatever adjustment is reasonable based on the manufacturer's own warranty.
5. Interface expressly disclaims any liability to its customers, dealers, and representatives, and to users of its products, and to any other person for special or consequential damages of any kind and from any cause whatsoever arising out of or in any way connected with the manufacture, sale, handling, repair, maintenance, or replacement arising out of or in any way connected with the use of Interface products.
6. Representations and warranties made by any person, including dealers and representatives of Interface, which are inconsistent or in conflict with the terms of this warranty (including but not limited to the limitations of the liability of Interface, as set forth above), shall not be binding upon Interface unless reduce to writing and approve by an officer of Interface, Inc.

THIS EXPRESS WARRANTY SUPERCEDES ANY AND ALL OTHER WARRANTIES, EXPRESS OR IMPLIED, INCLUDING IMPLIED WARRANTY OF MERCHANTABILITY OR FITNESS FOR A PARTICULAR PURPOSE.

## OBTAINING SERVICE UNDER WARRANTY

Advance authorization is required before any product is returned to Interface. Prior to the return of any product, write or call the Repair Department at Interface advising them of; (1) a part number; (2) a serial number of the defective product; (3) a technical description of the defect including specific test data, written observations on the failure and specific corrective action required; (4) a no-charge purchase order number (so the product can be returned to sender correctly); and (5) ship and bill addresses. Non-verified problems or defects may be subject to an evaluation charge. Please return the original calibration data with the unit.

## REPAIR WARRANTY

All repairs of Interface products are warranted for a period of 90 days from date of shipment. This warranty applies only to those items which were found defective and repaired; it does not apply to products in which no defect was found and returned as is or merely recalibrated. Out of warranty products may not be capable of being returned to the exact original specifications.

# Terms & Conditions

The following Terms and Conditions shall apply to any order between Interface Inc., (seller) and buyer, unless overridden by written agreement.

## 1. ACCEPTANCE

All orders and sales contracts are subject to acceptance or rejection by Interface and are not binding on Interface unless and until so accepted. Acceptance of an order by Interface constitutes a complete and binding contract governed by the terms and conditions of sale expressed herein and by the laws of the state of Arizona. Acceptance is at all time subject to availability for delivery of the goods covered by each order, and prices in effect at the time of shipment, unless otherwise agreed in a separate agreement signed by buyer and Interface.

## 2. CANCELLATION

In the event of cancellation, buyer will pay promptly upon receipt of invoice from Interface:

- (a) The full contract price for all products which have been completed prior to receipt of notice of cancellation.
- (b) All costs incurred by Interface in connection with the uncompleted portion of the order.
- (c) Cancellation charges incurred by Interface on account of its purchasing commitments made to its suppliers under the order.

## 3. PATENTS

No license or other rights under any patents, copyrights or trademarks owned or controlled by Interface or under which Interface is licensed are granted to buyer or implied by the sale of products or services hereunder. Buyer shall not identify as genuine products of Interface products purchased hereunder which buyer has modified, or altered in any way nor shall buyer use Interface's trademarks to identify such products; provided, however, that buyer may identify such products as utilizing, containing, or having been manufactured from genuine products of Interface as modified or altered by buyer or buyer's representative. If products or services sold hereunder are manufactured or performed according to buyer's specifications, buyer shall indemnify Interface against any liability for patent, copyright or trademark infringement on account of such manufacture or performance.

## 4. PRICES

Unless otherwise stated, prices are subject to change without notice. No cash discounts or other discounts for prompt payment are offered unless specifically stated on the face thereof. The prices quoted are based upon the manufacture of the quantity and type ordered and are subject to revision when interruptions, engineering changes, or changes in quantity are caused or required by buyer. Clerical errors made by Interface are subject to correction.

## 5. TAXES & OTHER CHARGES

To the extent legally permissible, all present and future excise levies, taxes, or any similar charges imposed by any federal, state, foreign or local authority which Interface may be required to pay or collect, upon or with reference to the sale, purchase, transportation, use or consumption of products or services, including taxes measured by the receipts therefrom (except net income and franchise taxes), shall be for the account of buyer.

## 6. DELIVERY

All sales are F.O.B. Interface's Plant. Delivery dates are approximate and estimated, and are based on prompt receipt of all necessary information from buyer. Interface may make partial shipments of any one or more items covered by the quotation or acknowledgment. Interface assumes no liability for loss, damage, or consequential damages due to delays.

## 7. TERMS OF PAYMENT

All invoices are payable only in U.S. funds. Payment terms are net 30 days. Credit and delivery of products shall be subject to the approval of Interface to whom all bills are payable and who reserves the right to alter the terms and set a limit of credit. Each shipment shall be treated as a separate and independent contract; but if the buyer fails to fulfill the terms of payment under this or any other contract, Interface at its option may defer further shipments, until payment have been made. Invoices that are not paid by the due date are subject to a late charge of 1.5% per month on the unpaid balance.

## 8. CONFIDENTIAL INFORMATION

Selected software and hardware, drawings, diagrams, manuals, specifications, and other materials furnished by Interface relating to the use and service of products furnished hereunder, including any information which may be identified as proprietary to Interface. Such software and hardware, diagrams, manuals, drawings, specifications and other materials, have been developed at great expense and are considered to be trade secrets to Interface and buyer may not reproduce them in any way without the express written permission of Interface except as needed to operate and maintain the equipment supplied by Interface.

## 9. DISPUTE RESOLUTION

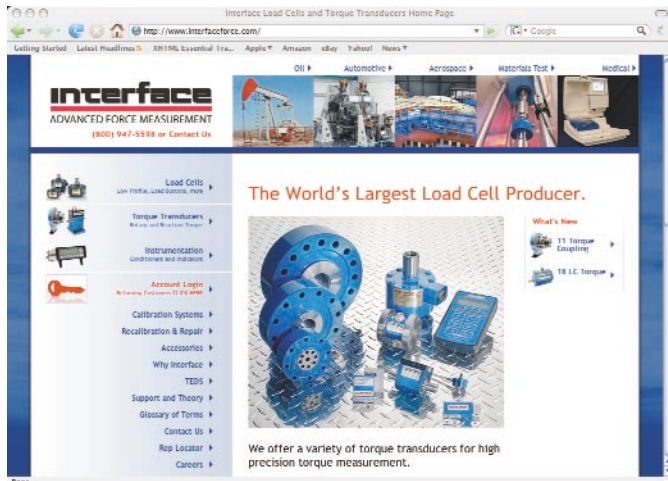
This agreement and all transactions hereunder are governed by the laws of the state of Arizona.

# Interface

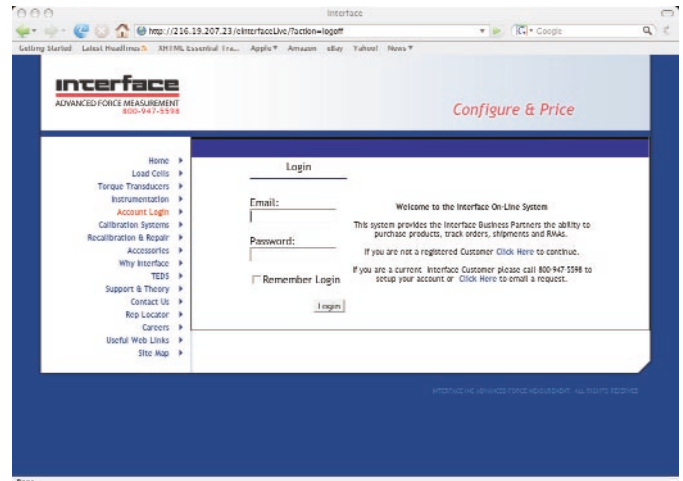
[www.interfaceforce.com](http://www.interfaceforce.com)

Our **NEW WEBSITE** allows you to do "order tracking", check the status of orders, invoices, past purchases, shipment dates, prices, check product availability and purchase standard products online.

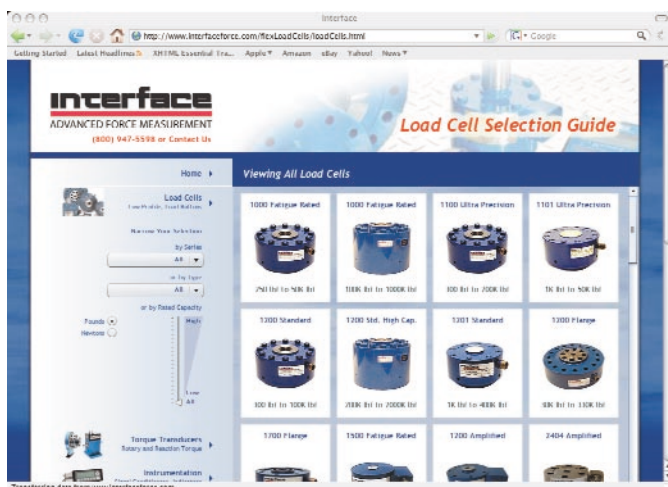
## Fresh New Look...



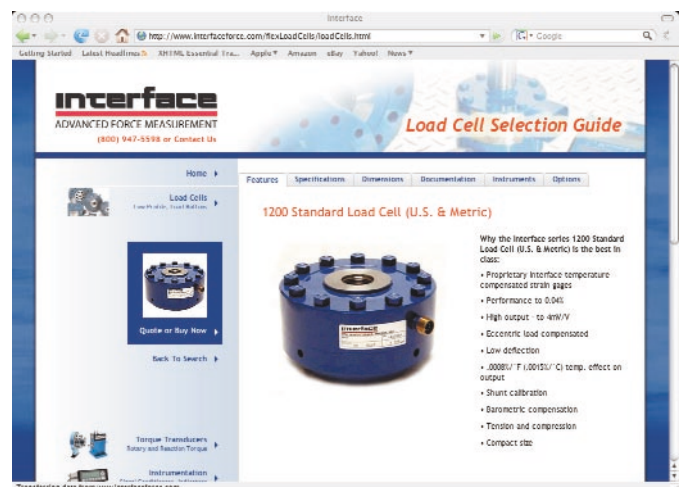
## Secured Customer Login...



## Simplified Product Search...



## All Related Documents In One Area...



## QUICK – SHIP PROGRAM

We ship standard products same day, for orders placed by noon MST.

**Interface**

7401 East Butherus Drive • Scottsdale, AZ • 85260 • USA • 480-948-5555 • 480-948-1924 fax