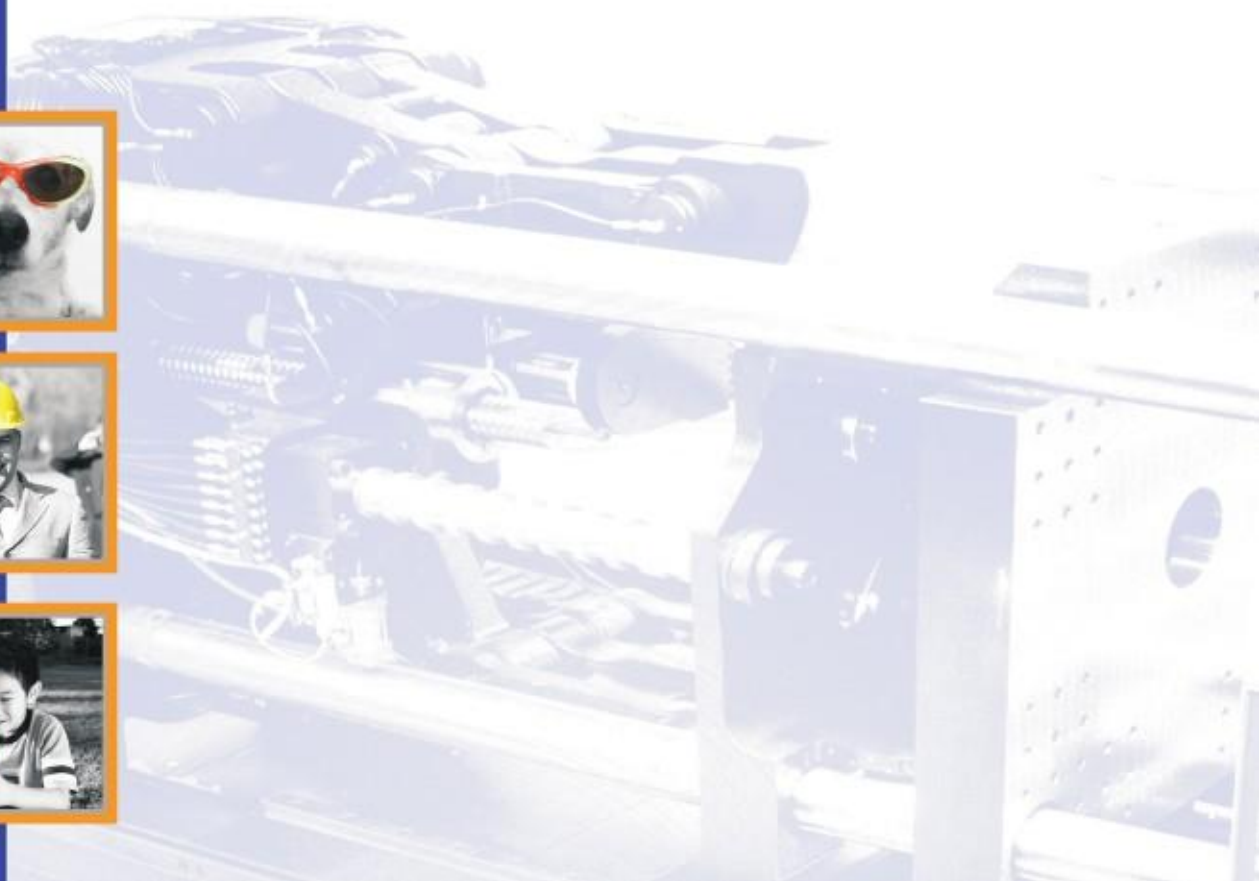


*Germanjet 1800 Series
Non-contact Absolute Position Transducer*



Non-contact Absolute Position Transducer



IMPROVE YOUR MACHINE PERFORMANCE WITH OUR INTELLIGENT NON-CONTACT, ABSOLUTE LINEAR POSITION TRANSDUCER

Germanjet - Trendsetter for Sensing Revolution

Leading technology revolutionary can determine who will hold the competitive advantage today and tomorrow. Germanjet has been in the position to be the trendsetter for sensing revolution. Recognizing innovative ideas and identifying new approach to challenge has always been one of the most significant elements in our technology planning. To accomplish all of this, we closely align our R&D activities with our business strategy.

Germanjet Advance Sensing and Control Technology (ASCT) group specializes in designing intelligent product and solution to meet high demanding and application driven requirement for industries. No matter how diverse and difficult the need is, our goal is to provide the highest possible performance with the most optimum service and price.

Focus Applications

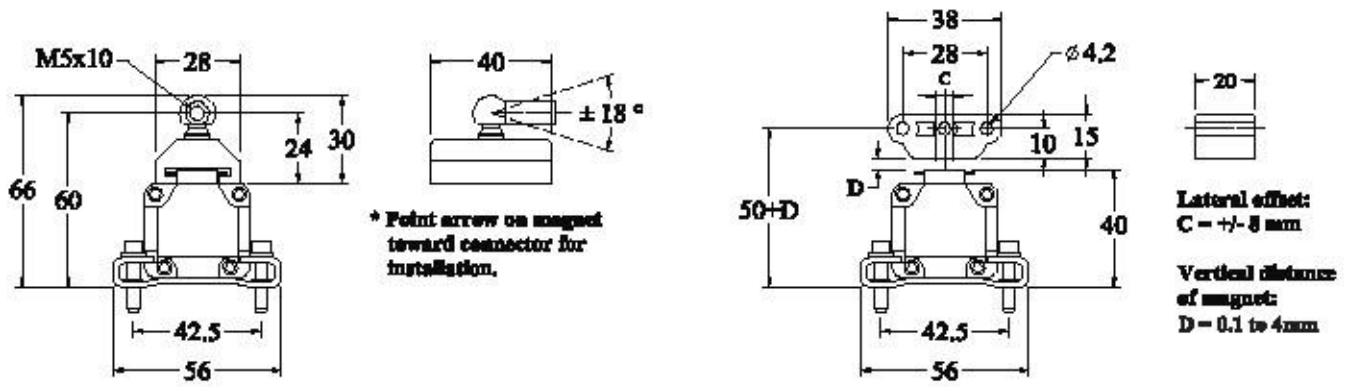
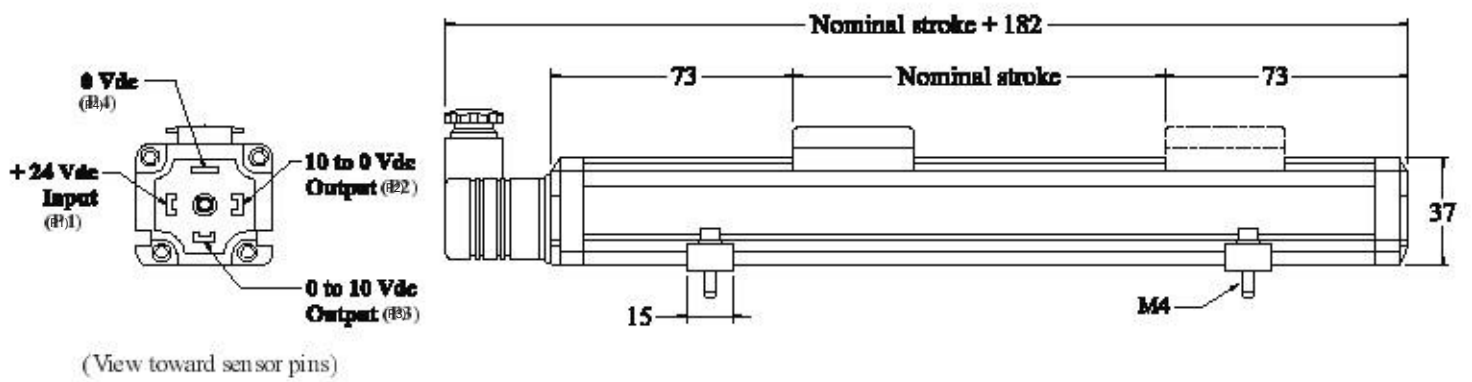
- Automotive
- Construction Equipment and Mining
- Entertainment
- Fluid Power
- Food and Beverage
- General Factory Automation
- Material Handling and Packaging
- Plastic and Rubber Part Manufacturing
- Woodworking and Metalworking

The Advantages of Absopos Sensing |

FOR EXTREMELY ACCURATE, LOW-NOISE, AND WEAR-FREE ABSOLUTE POSITION FEEDBACK

- § Germanjet transducer adopted the non-contact ultrasonic measuring technology for precise, direct and absolute measurement.
- § The absence of electrical contact on the cursor eliminates all wear and guarantees almost unlimited mechanical life expectancy.
- § The non-contact (Floating) cursor provides exceptional ease of installation with a variety of available cursor position target.
- § The high versatile profile housing offers full protection against outside agents for use in harsh environments with high contamination and presence of dust.
- § Mounting is accomplished using clamps that allow precise mechanical adjustment.





Captive Magnet
Order No: 1800 900 001

Floating Magnet
Order No: 1800 900 002



General Specifications

Measurement Type	Linear displacement
Input Voltage	24Vdc nominal (20.4 - 28.8Vdc)
Input Protection	Polarity protection up to -30Vdc, Overvoltage protection up to 36Vdc
Current Consumption	50 - 140mA (stroke range dependent)
Dielectric Strength	500Vdc (DC ground to machine ground)
Output	0 - 10Vdc and 10 - 0Vdc dual-output, minimum load 5KΩ
Resolution	Infinite, restricted by output ripple
Repeatability	< \pm 0.005% of full scale
Non-Linearity	< \pm 0.01% of full scale (minimum \pm 90 μ m)
Update Time	0.5 ms up to 1200 mm / 1.0 ms up to 2400 mm 2.0 ms up to 4800 mm / 5.0 ms up to 7600 mm stroke length
Operation Temperature	-40 to +85°C
Sealing	IP 65
Vibration Rating	5g / 10-2000 Hz per IEC standard 68-2-6
Shock Rating	50g single hit per IEC standard 68-2-27

Ordering Code

	1800	1	<u>X</u>	<u>X</u>	<u>X</u>	<u>X</u>	<u>X</u>	
Magnet Type								Stroke Length
1 = Captive								0100 = 100 mm
2 = Floating								0130 = 130 mm
								0150 = 150 mm
								0175 = 175 mm
								0200 = 200 mm
								0225 = 225 mm
								0275 = 275 mm
								0300 = 300 mm
								0360 = 360 mm
								0400 = 400 mm
								0425 = 425 mm
								0450 = 450 mm
								0500 = 500 mm
								0525 = 525 mm
								0600 = 600 mm
								0650 = 650 mm
								0750 = 750 mm
								0800 = 800 mm
								0875 = 875 mm
								0900 = 900 mm
								0950 = 950 mm
								1000 = 1000 mm
								1100 = 1100 mm
								1250 = 1250 mm
								1350 = 1350 mm
								1500 = 1500 mm
								1600 = 1600 mm
								1750 = 1750 mm
								2000 = 2000 mm
								*other length upon request.

Germanjet[®]
PART OF YOUR POSITIONING

www.germanjet.de

UNITED STATES | EUROPE | ASIA PACIFIC | LATIN AMERICA